

29-1014LF Straight Supply Valve • Spec Sheet



FEATURES & BENEFITS

- Chrome Plated Lead Free Brass*
- ISO-9002
- Straight Stop
- Multi Turn
- 5/8" OD Comp X 3/8" OD Compression

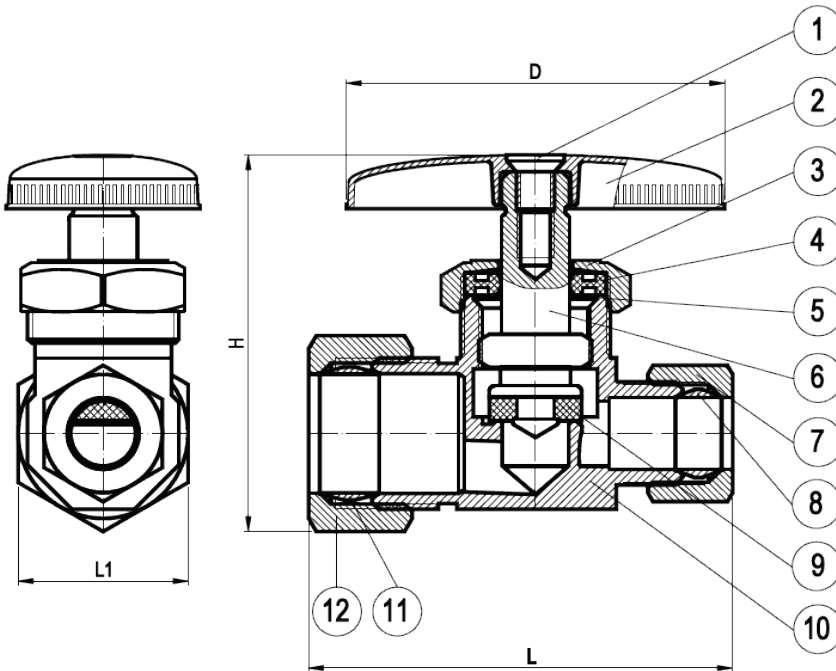
DIMENSIONS

H	L	L1	D
2.01	2.26	0.91	2.02

MATERIAL SPECIFICATIONS

No.	Part	Material
1	Bolt	JIS 3260 C2600W
2	Handle	Zinc Alloy Z30A
3	Bonnet	Brass B124 C37700
4	Packing	EPDM SN-719F
5	Washer	Stainless Steel 304
6	Stem	Plastic
7	Packing Nut	Brass B124 C37700
8	Sleeve	Brass C89550
9	Seat Packing	EPDM SN-719F
10	Body	Brass C89550
11	Sleeve	Brass C89550
12	Packing Nut	Brass B124 C37700

* These product complies with 0.25% weighted average lead content on wetted surfaces in accordance with Safe Water Drinking Act (SDWA) / Federal Public Law No. 111-380.



MATCO
NORCA

29-1014CPVCLF Supply Valve • Spec Sheet



FEATURES & BENEFITS

- Chrome Plated Lead Free Brass* ISO-9002
- Straight Stop
- Multi Turn
- 5/8" OD CPVC X 3/8" OD

DIMENSIONS

H	L	L1	D
2.01	2.74	0.91	2.02

MATERIAL SPECIFICATIONS

No.	Part	Material
1	Bolt	JIS 3260 C2600W
2	Handle	Zinc Alloy Z30A
3	Bonnet	Brass B124 C37700
4	Packing	EPDM SN-719F
5	Washer	Stainless Steel 304
6	Stem	Brass C89550
7	Packing Nut	Brass B124 C37700
8	Sleeve	Brass C89550
9	Seat Packing	EPDM SN-719F
10	Body	Brass C89550
11	Sleeve	Brass C89550
12	Packing CPVC	Plastic POM-M90
13	Packing Nut	Brass B124 C37700

* These product complies with 0.25% weighted average lead content on wetted surfaces in accordance with Safe Water Drinking Act (SDWA) / Federal Public Law No. 111-380.

