

29-1004LF Straight Supply Valve • Spec Sheet



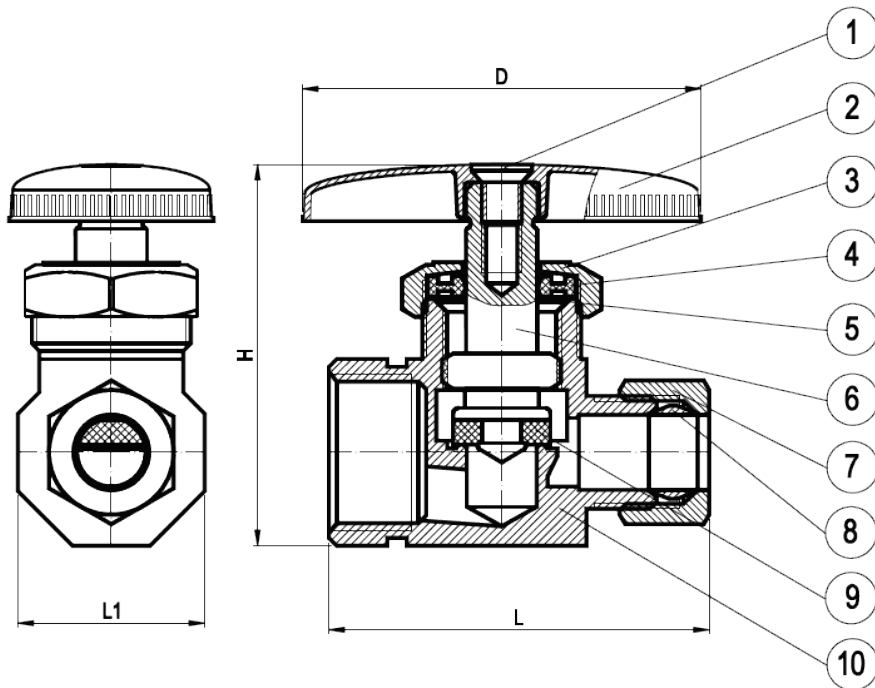
*Product will have LF imprinted on the body for Lead Free

FEATURES & BENEFITS

- Chrome Plated Lead Free Brass*
- Multi Turn
- ISO-9002
- 1/2" FIP X 3/8" Compression

DIMENSIONS

H	L	L1	D
1.93	1.93	0.95	2.02



MATERIAL SPECIFICATIONS

No.	Part	Material
1	Bolt	JIS 3260 C2600W
2	Handle	Zinc Alloy Z30A
3	Bonnet	Brass B124 C37700
4	Packing	EPDM SN-719F
5	Washer	Stainless Steel 304
6	Stem	Plastic
7	Packing Nut	Brass B124 C37700
8	Sleeve	Brass C89550
9	Seat Packing	EPDM SN-719F
10	Body	Brass C89550

* These product complies with 0.25% weighted average lead content on wetted surfaces in accordance with Safe Water Drinking Act (SDWA) / Federal Public Law No. 111-380.

