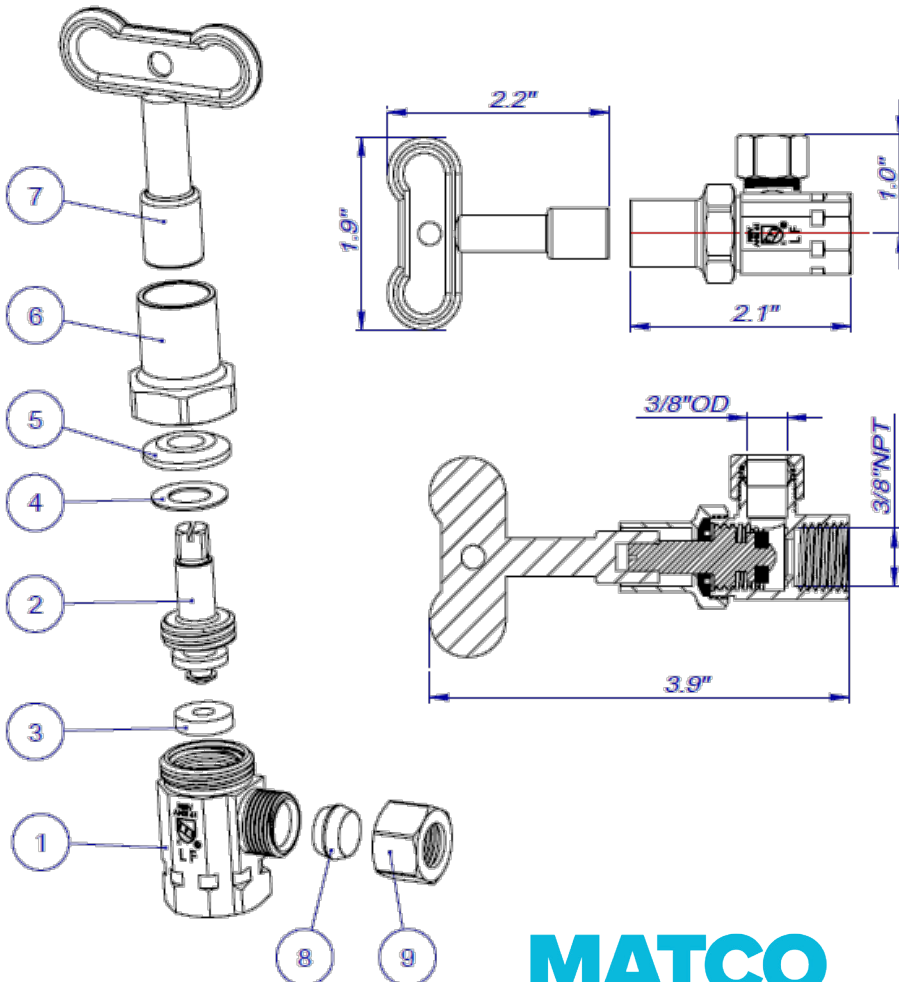


29-1001LKLF Angle Supply Valve • Spec Sheet



FEATURES & BENEFITS

- Chrome Plated Lead Free Brass*
- Angle
- Multi-Turn
- Loose Key
- cUPC, NSF/ANSI 61 Approval
- 3/8" FIP x 3/8" OD Compression



MATERIAL SPECIFICATIONS

| No. | Part | Material |
|-----|-----------|------------|
| 1 | Body | LF Brass |
| 2 | Stem | LF Brass |
| 3 | Washer | NBR |
| 4 | Washer | SUS 304 |
| 5 | Washer | NBR |
| 6 | Bonnet | Brass |
| 7 | Loose Key | Zinc Alloy |
| 8 | Sleeve | LF Brass |
| 9 | Hex Cap | Brass |

*This product complies with 0.25% weighted average lead content on wetted surfaces in accordance with the Safe Drinking Water Act (SDWA) / Federal Public Law No. 111-380.

**MATCO
NORCA**

CALIFORNIA 5595 Fresca Dr., La Palma CA 90623
TEXAS 1150 Silber Rd., Houston TX 77055
ILLINOIS 278 Windy Point Dr., Glendale Heights, IL 60139
GEORGIA 113 Industrial Blvd., Americus, Georgia 31709
NEW YORK PO Box 27, Rt.22, Brewster NY 10509
 WEB: www.matco-norca.com

• Phone: 866-532-8306 • Fax: 866-532-8307
 • Phone: 800-935-5456 • Fax: 713-680-2999
 • Phone: 844-412-5068 • Fax: 800-640-2252
 • Phone: 800-433-7526 • Fax: 800-533-5134
 • Phone: 800-431-2082 • Fax: 845-278-9056
 EMAIL: mail@matco-norca.com