

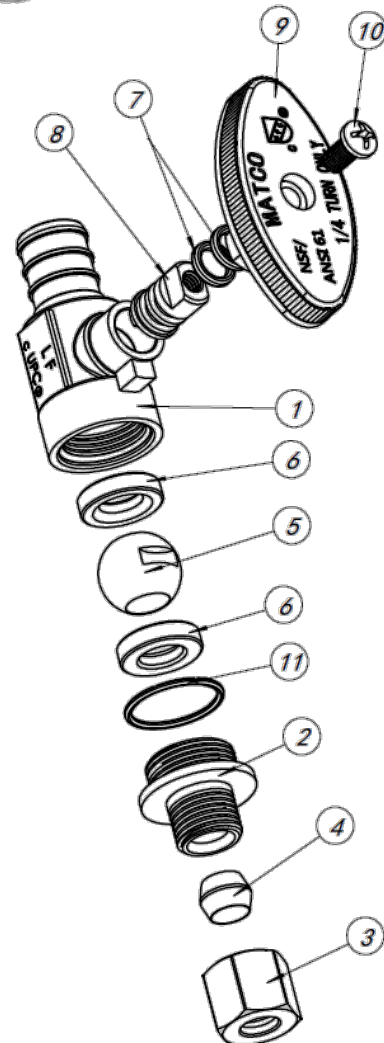
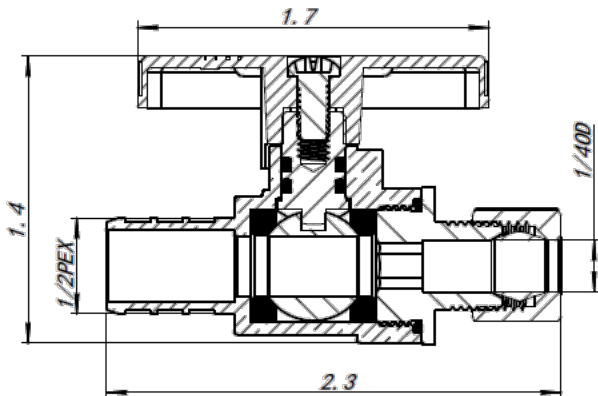
26-1016PXLF Straight Supply Valve

Specification Sheet

FEATURES & BENEFITS

- Chrome Plated Lead Free Brass
- Straight
- 1/4 Turn
- Oval Handle
- UPC, cUPC, NSF 61, & NSF 372 Compliant
- 1/2" PEX x 1/4" OD Compression

DIMENSIONS



MATERIAL SPECIFICATIONS

No.	Part	Material
1	Body	Brass LF
2	Outlet Nut	Brass LF
3	Hex Cap	Brass
4	Sleeve	Brass LF
5	Ball	Brass LF
6	Ring	PTFE
7	O-Ring	NBR
8	Stem	Brass
9	Handle	Zinc Alloy
10	Screw	Steel
11	O-Ring	NBR

