

26-1003PXLF Angle Supply Valve • Spec Sheet



FEATURES & BENEFITS

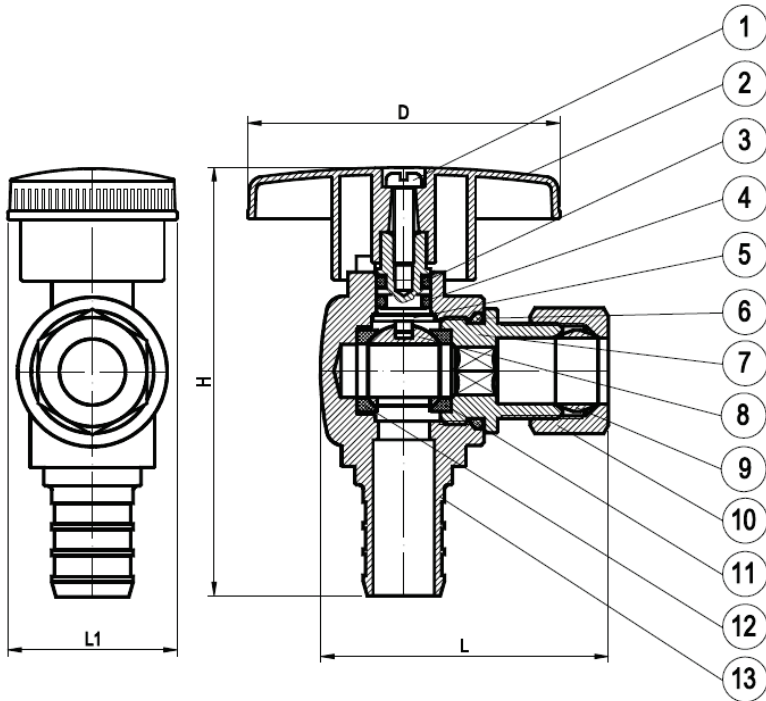
- Chrome Plated Lead Free Brass*
- Angle
- 1/4 Turn
- Oval Handle
- 1/2" PEX x 3/8" OD Compression

DIMENSIONS

Size	H	L	L1	D
1/2" PEX x 3/8" OD Compression	2.48	1.67	0.98	1.79

MATERIAL SPECIFICATIONS

No.	Part	Material
1	Bolt	Rod Carbon Steel SAE 1006
2	Handle	Zinc Alloy
3	O-Ring	BUNA SN-719F
4	O-Ring	BUNA SN-719F
5	Stem	Brass C46400
6	O-Ring	Rubber SAE No 1052#
7	Outlet Nut	Brass C46400
8	Ball	Brass C46400
9	Sleeve	Brass C46400
10	Packing Nut	Brass B124 C37700
11	Packing	POM-M90 Polyacetal
12	Packing	POM-M90 Polyacetal
13	Body	Brass C46400



* These product complies with 0.25% weighted average lead content on wetted surfaces in accordance with Safe Water Drinking Act (SDWA) / Federal Public Law No. 111-380.



CALIFORNIA 5593 Fresca Dr., La Palma CA 90623 • Toll Free: 866-532-8306 • Fax: 866-532-8307
TEXAS 1150 Silber Rd., Houston TX 77055 • Toll Free: 800-935-5456 • Fax: 713-680-2999
NEW YORK PO Box 27, Rt. 22, Brewster NY 10509 • Toll Free: 800-431-2082 • Fax: 845-278-9056
 WEB: www.matco-norca.com EMAIL: mail@matco-norca.com