

26-1001LF Angle Supply Valve • Spec Sheet



FEATURES & BENEFITS

- Chrome Plated Lead Free Brass*
- 1/4 Turn
- 3/8" FIP X 3/8" OD Compression

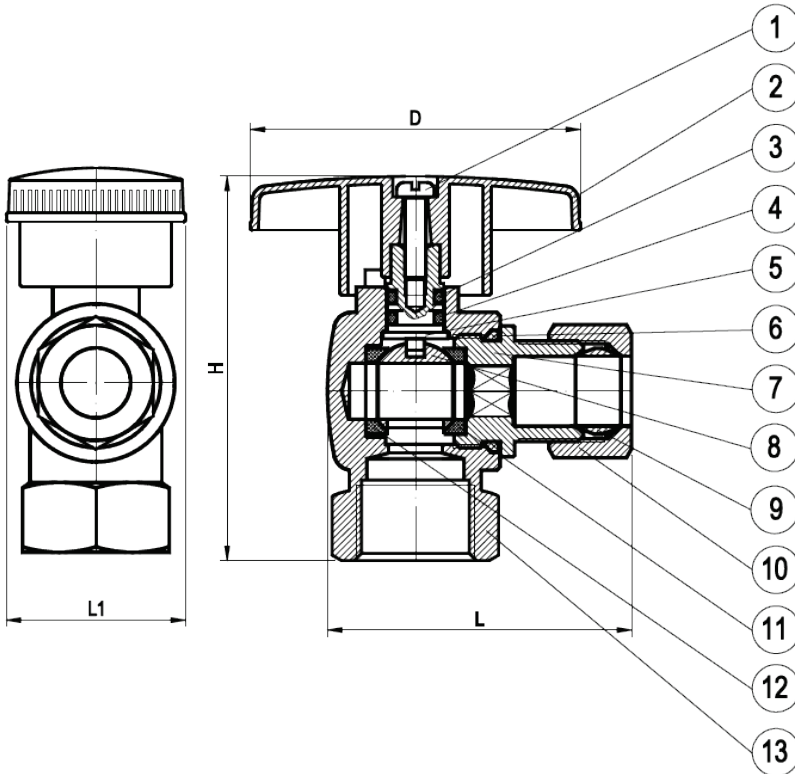
DIMENSIONS

H	L	L1	D
2.09	1.66	0.98	1.79

MATERIAL SPECIFICATIONS

No.	Part	Material
1	Bolt	Rod Carbon Steel SAE 1006
2	Handle	Zinc Alloy
3	O-Ring	EPDM SN-719F
4	O-Ring	EPDM SN-719F
5	Stem	Brass C89550
6	O-Ring	EPDM SN-719F
7	Outlet Nut	Brass C89550
8	Sleeve	Brass C89550
9	Packing Nut	Brass B124 C37700
10	Ball	Brass C89550
11	Packing	Plastic POM-M90
12	Packing	Plastic POM-M90
13	Body	Brass C89550

* These product complies with 0.25% weighted average lead content on wetted surfaces in accordance with Safe Water Drinking Act (SDWA) / Federal Public Law No. 111-380.



26-1002LF Straight Supply Valve • Spec Sheet

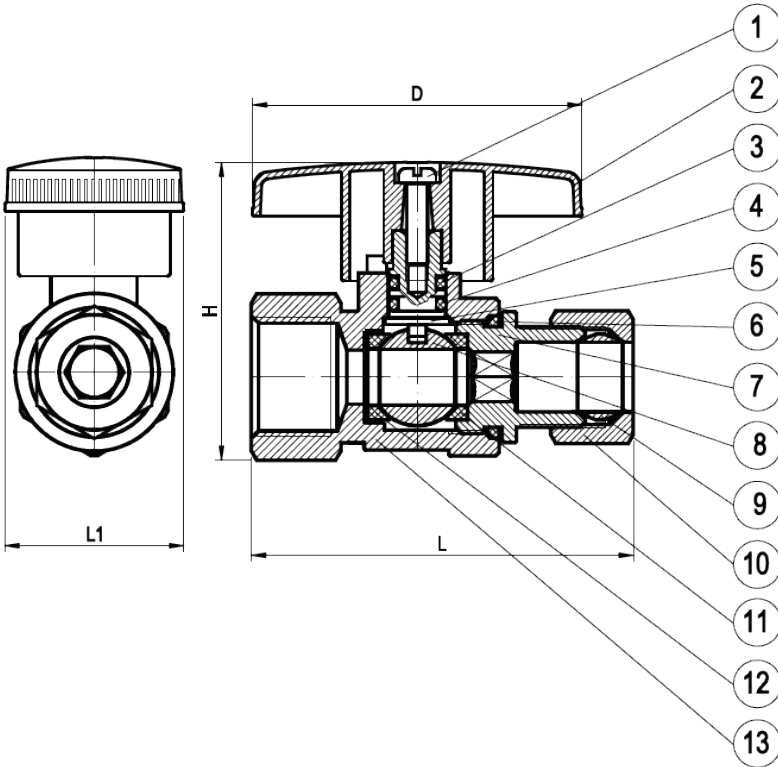


FEATURES & BENEFITS

- Chrome Plated Lead Free Brass*
- 1/4 Turn
- 3/8" FIP X 3/8" OD Compression

DIMENSIONS

H	L	L1	D
1.64	2.10	0.98	1.79



MATERIAL SPECIFICATIONS

No.	Part	Material
1	Bolt	Rod Carbon Steel SAE 1006
2	Handle	Zinc Alloy
3	O-Ring	EPDM SN-719F
4	O-Ring	EPDM SN-719F
5	Stem	Brass C89550
6	O-Ring	EPDM SN-719F
7	Outlet Nut	Brass C89550
8	Sleeve	Brass C89550
9	Packing Nut	Brass B124 C37700
10	Ball	Brass C89550
11	Packing	Plastic POM-M90
12	Packing	Plastic POM-M90
13	Body	Brass C89550

* These product complies with 0.25% weighted average lead content on wetted surfaces in accordance with Safe Water Drinking Act (SDWA) / Federal Public Law No. 111-380.

