

240 BRASS GLOBE VALVE



- ❖ Brass Body ❖ Bronze Handles
- ❖ Available In Sizes 3/4" - 2" ❖ ISO-9001-2000

200 PSI NON-SHOCK CWP

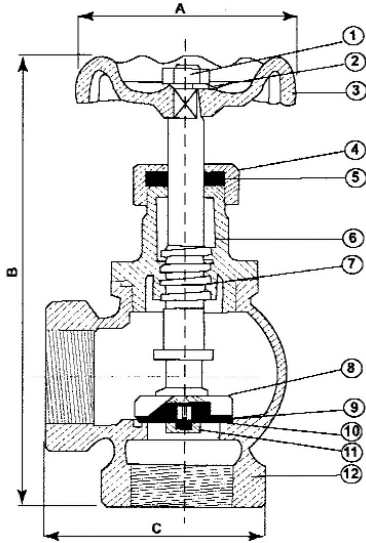
Applications: Angle Control Valve, Blow Off Valve
Irrigation, Waterworks, Commercial and Light Industrial

Threaded Ends Comply With ANSI Standard B1.20.1

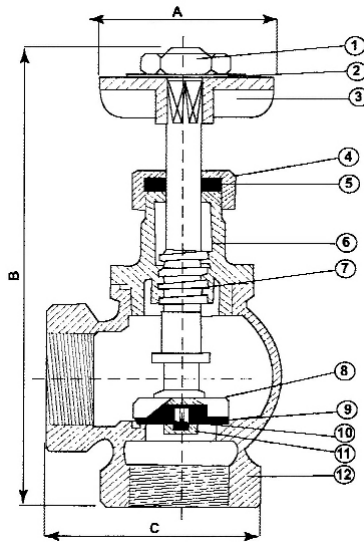


MATERIAL SPECIFICATIONS

No.	Part	Material	ASTM Designation
1	Wheel Nut	Hot Rolled	SAE 1010R
2	Name Plate	Aluminum	A1100
3	Handwheel	Bronze	B584 C84400
3	Cross Handle	Brass	B584 C85710
4	Packing Nut	Brass	B584 C85710
5	Gland Packing	Rubber (NBR)	SAE No 1052
6	Bonnet	Brass	B584 C85710
7	Stem	Brass	B584 C85710
8	Seat Holder	Brass	B584 C85710
9	Seal Packing	Rubber (NBR)	SAE No 1052
10	Washer	Brass	B16 C36000
11	Seat Nut	Brass	B16 C36000
12	Body	Brass	B584 C85710



240TH



240T

DIMENSIONS & WEIGHTS

Size	A	B	C
240TH			
3/4"	2.48	4.98	2.17
1"	2.48	5.49	2.58
1-1/4"	3.50	7.09	3.23
1-1/2"	3.50	7.68	3.62
2"	4.33	8.86	4.25
240T			
3/4"	1.64	4.98	2.17
1"	1.64	5.49	2.58
1-1/4"	1.73	7.01	3.23
1-1/2"	1.73	7.64	3.62
2"	1.73	8.74	4.25



Brewster, NY
TEL: 800-431-2082
FAX: 800-640-2252

Houston, TX
TEL: 800-935-5456
FAX: 800-683-4247

La Palma, CA
TEL: 866-532-8306
FAX: 866-532-8307

Americus, GA
TEL: 800-433-7526
FAX: 800-533-5134

e-mail: mail@matco-norca.com

www.matco-norca.com