

20CSFLD Carbon Steel Flanged Ball Valve • Spec Sheet

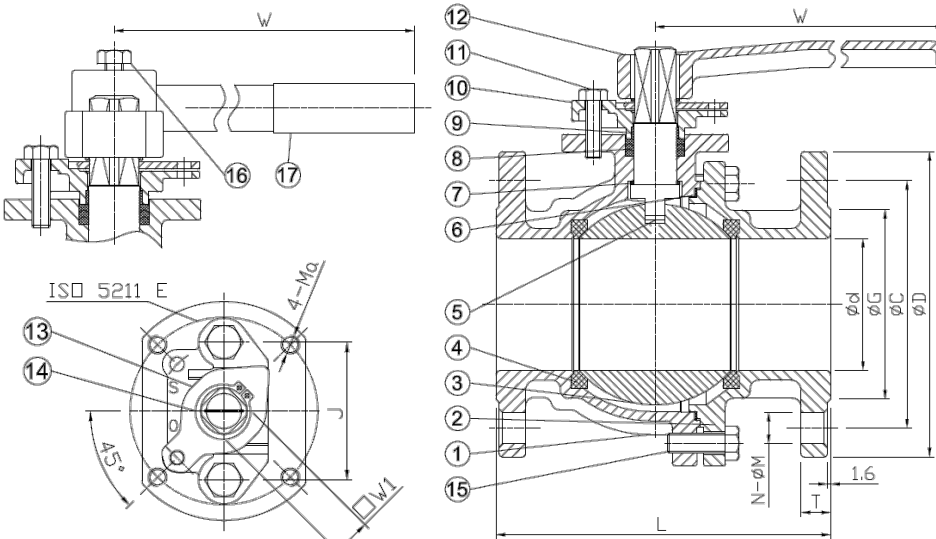


FEATURES & BENEFITS

- Full Port
- Two Piece
- 150 lb. WSP
- W.P. ANSI Class 150
- W.T. -4°F - 392°F
- Investment Casting
- Blow-out Proof Stem
- 1/16" Raised Face Flanged
- Locking device
- ASME B16.34
- Sizes 1/2" - 6"

MATERIAL SPECIFICATIONS

No.	Part	Material
1	Body	Carbon Steel
2	Cap	Carbon Steel
3	Solid Ball	Stainless Steel 304
4	Seat	R.PTFE
5	Stem	Stainless Steel 304
6	Gasket	R.PTFE
7	Thrust Washer	R.PTFE
8	Packing	R.PTFE
9	Stem Packing	R.PTFE
10	Gland	Stainless Steel 304
11	Gland Bolt	Stainless Steel 304
12	Handle	Carbon Steel
13	Stopper	Stainless Steel 304
14	Snap Ring	Stainless Steel 304
15	Bolt	Stainless Steel 304
16	Handle Bolt	Stainless Steel 304
17	Cover	Plastic



DIMENSIONS

Part #	Size	Ød	D	C	G	T	N-ØM	L	H	W	W1	J	ISO 5211	E	Ma	Torque N-M	Weight (lb)
20CSFL03D	1/2"	0.59	3.51	2.38	1.38	0.48	4-Ø0.63	4.26	2.76	6.30	0.47	1.97	F04	1.65	M5	16.1	3.99
20CSFL04D	3/4"	0.79	3.86	2.76	1.69	0.48	4-Ø0.63	4.61	2.88	6.30	0.47	1.97	F04	1.65	M5	20.7	4.76
20CSFL05D	1"	0.99	4.26	3.13	2.01	0.48	4-Ø0.63	5.00	3.03	6.30	0.47	1.97	F04	1.65	M5	25.3	6.22
20CSFL06D	1-1/4"	1.26	4.61	3.53	2.52	0.50	4-Ø0.63	5.52	3.35	6.30	0.47	1.97	F05	1.97	M6	28.8	8.25
20CSFL07D	1-1/2"	1.58	5.00	3.88	2.88	0.56	4-Ø0.63	6.50	4.10	7.33	0.67	2.44	F07	2.76	M8	33.4	12.94
20CSFL08D	2"	1.97	5.99	4.75	3.62	0.63	4-Ø0.75	7.01	4.49	7.33	0.67	2.44	F07	2.76	M8	39.1	19.29
20CSFL09D	2-1/2"	2.56	7.01	5.50	4.14	0.69	4-Ø0.75	7.49	5.59	12.77	0.83	2.96	F07	2.76	M8	57.5	28.88
20CSFL10D	3"	3.15	7.49	6.01	5.00	0.75	4-Ø0.75	8.00	6.03	12.77	0.83	2.96	F10	4.02	M10	86.3	39.02
20CSFL11D	4"	3.94	9.02	7.51	6.19	0.94	8-Ø0.75	9.02	6.54	12.77	0.83	2.96	F10	4.02	M10	115	62.39
20CSFL13D	6"	5.91	10.99	9.52	8.51	1.00	8-Ø0.87	15.52	9.73	29.55	0.95	3.51	F12	4.93	M12	310	144.84



CALIFORNIA 5595 Fresca Dr., La Palma CA 90623
TEXAS 1150 Silber Rd., Houston TX 77055
ILLINOIS 278 Windy Point Dr., Glendale Heights, IL 60139
GEORGIA 113 Industrial Blvd., Americus, Georgia 31709
NEW YORK PO Box 27, Rt.22, Brewster NY 10509
 WEB: www.matco-norca.com

• Phone: 866-532-8306 • Fax: 866-532-8307
 • Phone: 800-935-5456 • Fax: 713-680-2999
 • Phone: 844-412-5068 • Fax: 800-640-2252
 • Phone: 800-433-7526 • Fax: 800-533-5134
 • Phone: 800-431-2082 • Fax: 845-278-9056
 EMAIL: mail@matco-norca.com