

209 Frost Free Sillcock • Spec Sheet

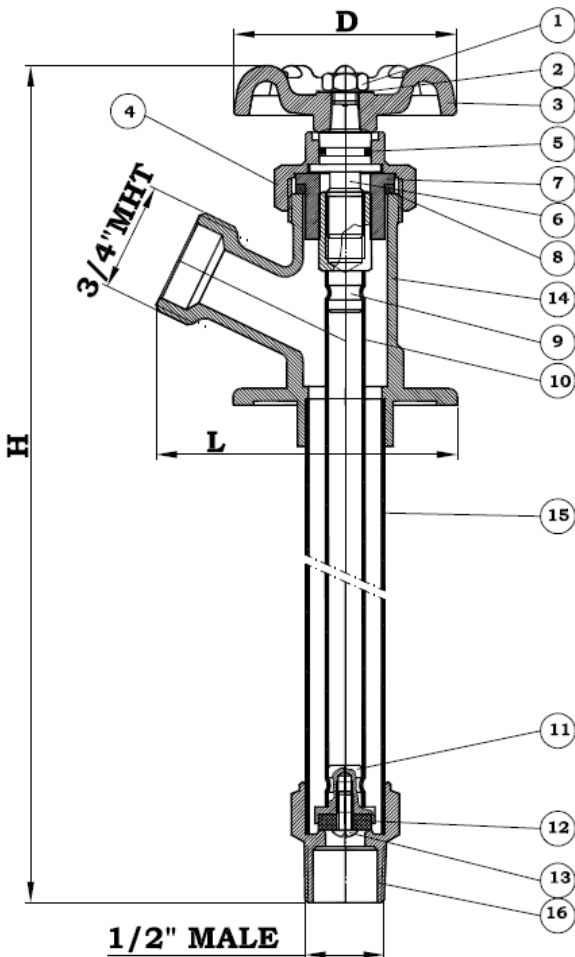


FEATURES & BENEFITS

- ISO 9002
- 125 PSI
- Chrome-Plated Brass Body & Tube
- For Wall Thickness 4" – 14"
- Hose x 1/2" MIP / 1/2" SWT Inlet

DIMENSIONS

| Part # | Length | H | D | L |
|--------|--------|-------|------|------|
| 209004 | 4" | 8.20 | 2.13 | 2.72 |
| 209006 | 6" | 10.24 | 2.13 | 2.72 |
| 209008 | 8" | 12.14 | 2.13 | 2.72 |
| 209010 | 10" | 14.18 | 2.13 | 2.72 |
| 209012 | 12" | 16.08 | 2.13 | 2.72 |
| 209014 | 14" | 18.12 | 2.13 | 2.72 |



MATERIAL SPECIFICATIONS

| No. | Part | Material |
|-----|---------------|-----------|
| 1 | Wheel Nut | Iron |
| 2 | Name Plate | Aluminum |
| 3 | Handle Wheel | Cast Iron |
| 4 | Bonnet | Brass |
| 5 | O-Ring | Rubber |
| 6 | Stem | Brass |
| 7 | Packing | PVC |
| 8 | Gland Packing | Rubber |
| 9 | Stem Hole | Brass |
| 10 | Stem Pipe | Brass |
| 11 | Seat House | Brass |
| 12 | Seat Packing | Rubber |
| 13 | Seat Screw | Brass |
| 14 | Body | Brass |
| 15 | Drain Pipe | Brass |
| 16 | Drain Bolt | Brass |



CALIFORNIA 5595 Fresca Dr., La Palma CA 90623
TEXAS 1150 Silber Rd., Houston TX 77055
ILLINOIS 278 Windy Point Dr., Glendale Heights, IL 60139
GEORGIA 113 Industrial Blvd., Americus, Georgia 31709
NEW YORK PO Box 27, Rt.22, Brewster NY 10509
 WEB: www.matco-norca.com

• Phone: 866-532-8306 • Fax: 866-532-8307
 • Phone: 800-935-5456 • Fax: 713-680-2999
 • Phone: 844-412-5068 • Fax: 800-640-2252
 • Phone: 800-433-7526 • Fax: 800-533-5134
 • Phone: 800-431-2082 • Fax: 845-278-9056
 EMAIL: mail@matco-norca.com

2094 Frost Free Sillcock • Spec Sheet

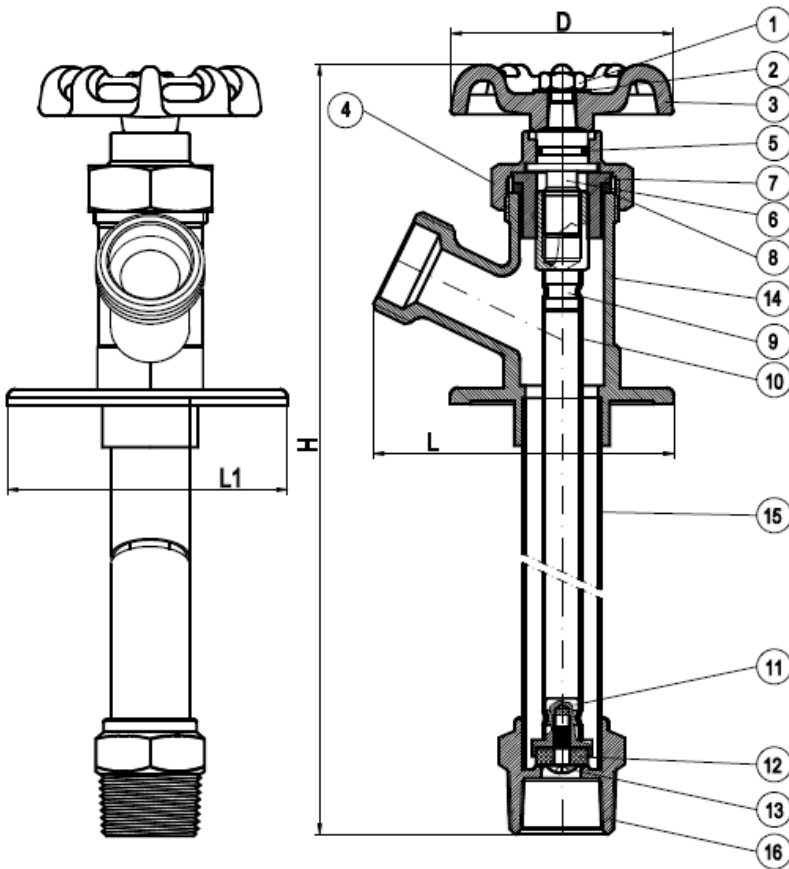


FEATURES & BENEFITS

- ISO 9002
- 125 PSI
- Chrome-Plated Brass Body & Tube
- For Wall Thickness 4" – 14"
- Hose x 3/4" MIP / 1/2" FIP Inlet

DIMENSIONS

| Part # | Length | H | D | L | L1 |
|--------|--------|-------|------|------|------|
| 209404 | 4" | 8.20 | 2.13 | 2.72 | 2.80 |
| 209406 | 6" | 10.24 | 2.13 | 2.72 | 2.80 |
| 209408 | 8" | 12.14 | 2.13 | 2.72 | 2.80 |
| 209410 | 10" | 14.18 | 2.13 | 2.72 | 2.80 |
| 209412 | 12" | 16.08 | 2.13 | 2.72 | 2.80 |
| 209414 | 14" | 18.12 | 2.13 | 2.72 | 2.80 |



MATERIAL SPECIFICATIONS

| No. | Part | Material |
|-----|---------------|---------------------------|
| 1 | Wheel Nut | Hot Rolled Wire Rods |
| 2 | Name Plate | Aluminum A 1070 |
| 3 | Handle Wheel | Rod Carbon Steel SAE 1006 |
| 4 | Bonnet | Brass B124 C37700 |
| 5 | O-Ring | Rubber SN-719F |
| 6 | Stem | Brass B124 C37700 |
| 7 | Packing | Plastic POM-M90 |
| 8 | Gland Packing | Rubber SN-719F |
| 9 | Stem Hole | Brass B124 C37700 |
| 10 | Stem Pipe | Brass C26000 |
| 11 | Seat House | Brass B124 C37700 |
| 12 | Seat Packing | Rubber SN-719F |
| 13 | Seat Screw | Brass C26000 |
| 14 | Body | Brass B584 C85710 |
| 15 | Drain Pipe | Brass C26000 |
| 16 | Drain Bolt | Brass C89550 |



CALIFORNIA 5595 Fresca Dr., La Palma CA 90623
TEXAS 1150 Silber Rd., Houston TX 77055
ILLINOIS 278 Windy Point Dr., Glendale Heights, IL 60139
GEORGIA 113 Industrial Blvd., Americus, Georgia 31709
NEW YORK PO Box 27, Rt.22, Brewster NY 10509
 WEB: www.matco-norca.com

• Phone: 866-532-8306 • Fax: 866-532-8307
 • Phone: 800-935-5456 • Fax: 713-680-2999
 • Phone: 844-412-5068 • Fax: 800-640-2252
 • Phone: 800-433-7526 • Fax: 800-533-5134
 • Phone: 800-431-2082 • Fax: 845-278-9056
 EMAIL: mail@matco-norca.com

209LK Loose Key Frost Free Sillcock • Spec Sheet

FEATURES & BENEFITS

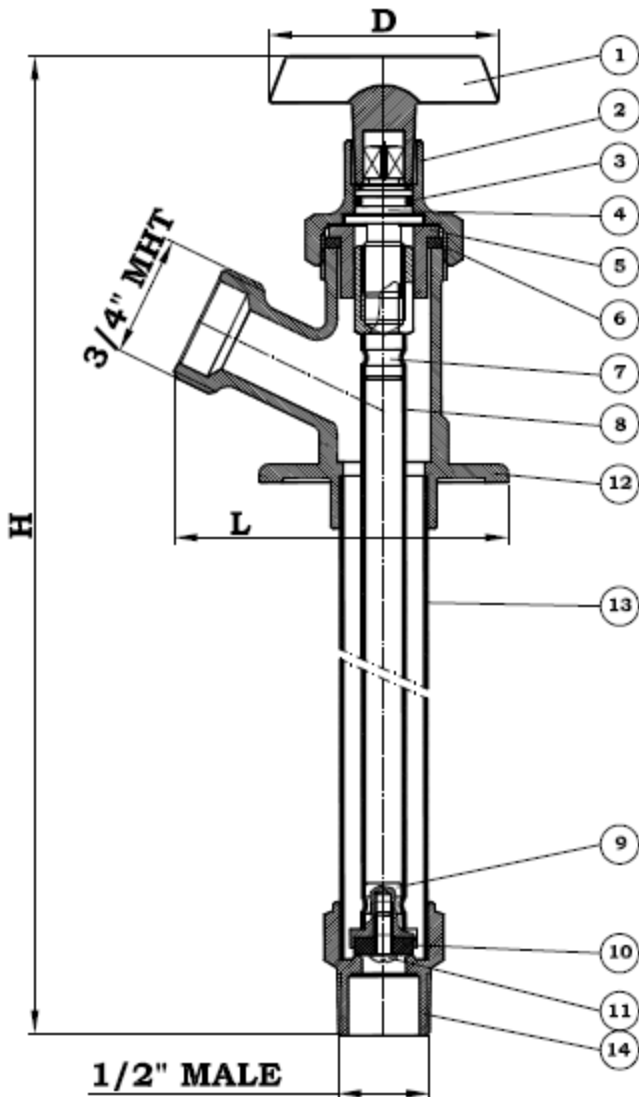
- ISO 9002
- 125 PSI
- Chrome-Plated Brass Body & Tube
- For Wall Thickness 4" – 14"
- Hose x 1/2" MIP / 1/2" SWT Inlet
- With Loose Key Handle

DIMENSIONS

| Part # | Length | H | D | L |
|----------|--------|-------|------|------|
| 209008LK | 8" | 12.57 | 1.97 | 2.72 |
| 209010LK | 10" | 14.62 | 1.97 | 2.72 |
| 209012LK | 12" | 16.51 | 1.97 | 2.72 |

MATERIAL SPECIFICATIONS

| No. | Part | Material |
|-----|---------------|--------------------------|
| 1 | Key | Zinc Z30A 99, 90-99, 95% |
| 2 | Bonnet | Brass B124 C37700 |
| 3 | O Ring | EPDM |
| 4 | Stem | Brass B124 C37700 |
| 5 | Packing | Polyacetal |
| 6 | Gland Packing | EPDM |
| 7 | Stem House | Brass B124 C37700 |
| 8 | Stem Pipe | Brass C26000 |
| 9 | Seat House | Brass B124 C37700 |
| 10 | Seat Packing | Rubber |
| 11 | Seat Screw | Brass C2600W |
| 12 | Body | Brass B584 C85710 |
| 13 | Drain Pipe | Brass C26000 |
| 14 | Drain Bolt | Brass B124 C37700 |



CALIFORNIA 5595 Fresca Dr., La Palma CA 90623
TEXAS 1150 Silber Rd., Houston TX 77055
ILLINOIS 278 Windy Point Dr., Glendale Heights, IL 60139
GEORGIA 113 Industrial Blvd., Americus, Georgia 31709
NEW YORK PO Box 27, Rt.22, Brewster NY 10509
 WEB: www.matco-norca.com

• Phone: 866-532-8306 • Fax: 866-532-8307
 • Phone: 800-935-5456 • Fax: 713-680-2999
 • Phone: 844-412-5068 • Fax: 800-640-2252
 • Phone: 800-433-7526 • Fax: 800-533-5134
 • Phone: 800-431-2082 • Fax: 845-278-9056
 EMAIL: mail@matco-norca.com