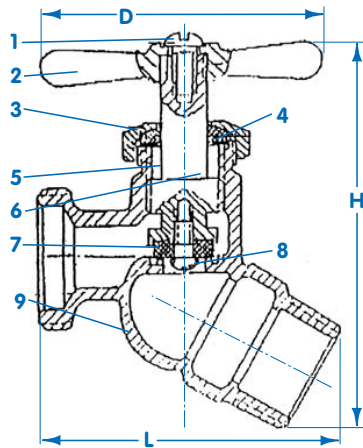


# 207 NO KINK HOSE BIBB

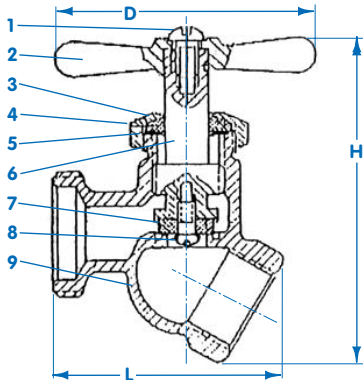
**MATCO  
NORCA**

- ❖ Bronze Heavy Pattern ❖ FIP x Male Union
  - ❖ With Nut & Tailpiece
- 125 PSI CWP**

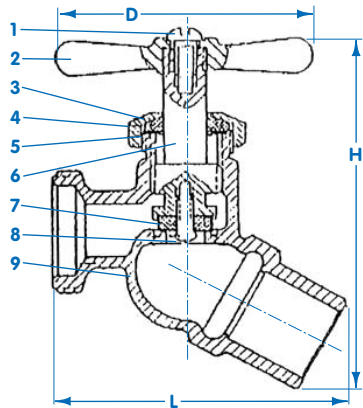


207TM

ISO 9001:2000



207TF



207C

## MATERIAL SPECIFICATIONS

NO.	Part	Material	ASTM Designation
1	Bolt	Hot Rolled	SAE 1010R
2	Handle	Zinc	Z30A
3	Packing Nut	Brass	C37700
4	Packing	NBR.	N57015
5	Washer	S.S.	304/306
6	Stem	Brass	C37700
7	Seat Washer	NBR	N67015
8	Seat Screw	Brass	C37700
9	Body	Brass	B584, C85710

## DIMENSIONS

SIZE	H	D	L
<b>207TM - MIP Connection</b>			
1/2" x 3/4" Hose	1.69	2.21	2.44
3/4" x 3/4" Hose	1.69	2.21	2.48
<b>207TF - FIP Connection</b>			
1/2" x 3/4" Hose	1.69	2.21	2.01
3/4" x 3/4" Hose	1.62	2.21	2.01
<b>207C04 - Sweat Connection</b>			
1/2" MIP x 3/4" Hose	1.62	2.21	2.66

Product Spec Sheet

**MATCO  
NORCA**

**Brewster, NY**  
TEL: 800-431-2082  
FAX: 800-640-2252

**Houston, TX**  
TEL: 800-935-5456  
FAX: 800-683-4247

**La Palma, CA**  
TEL: 866-532-8306  
FAX: 866-532-8307

**Americus, GA**  
TEL: 800-433-7526  
FAX: 800-533-5134

e-mail: mail@matco-norca.com

www.matco-norca.com