

206PXCEFLF Cold Expansion Pex Large Flange Sillcock • Spec Sheet

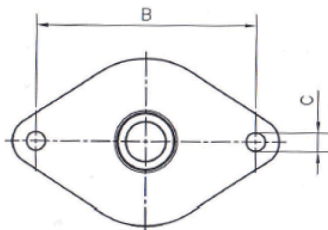


*Product will have LF imprinted on the body for Lead Free

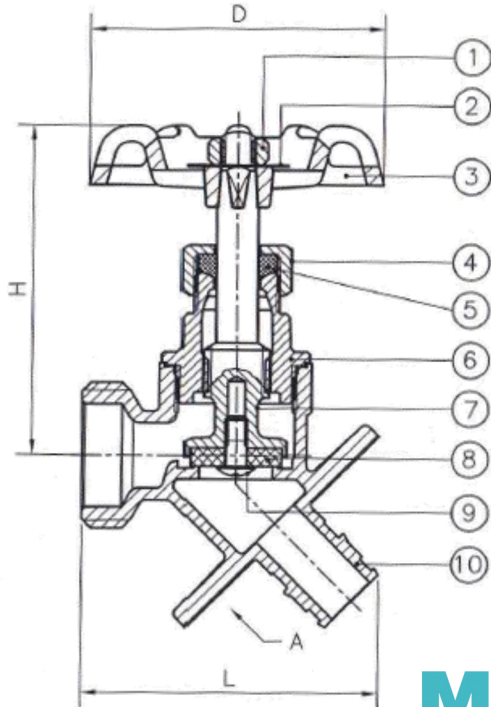
FEATURES & BENEFITS

- Lead Free Brass*
- Large Flange Sillcock
- 125 WOG
- Max Temperature 160°F
- Hose X Cold Expansion F1960 Pex
- Size 1/2"

DIMENSIONS



Part #	Size	B	C	D	H	L
206PXCE03FLF	1/2" Cold Expansion F1960 Pex X 3/4" MHT	2.58	0.22	2.09	2.40	2.13



MATERIAL SPECIFICATIONS

No.	Part	Material
1	Nut	Hot Rolled SAE 1010R
2	Name Plate	Aluminum A1100
3	Handle	Cast Iron JIS ZZ2202
4	Packing Nut	Brass C37700
5	Packing	PTFE M-392
6	Bonnet	Cast Brass C46400
7	Stem	Cast Brass C46400
8	Seat Packing	Rubber (NBR) SN 819F
9	Screw	Forged Brass C26000
10	Body	Cast Brass C46400

*This product complies with 0.25% weighted average lead content on wetted surfaces in accordance with the Safe Drinking Water Act (SDWA) / Federal Public Law No. 111-380.



CALIFORNIA 5595 Fresca Dr., La Palma CA 90623
TEXAS 1150 Silber Rd., Houston TX 77055
ILLINOIS 278 Windy Point Dr., Glendale Heights, IL 60139
GEORGIA 113 Industrial Blvd., Americus, Georgia 31709
NEW YORK PO Box 27, Rt.22, Brewster NY 10509
 WEB: www.matco-norca.com

• Phone: 866-532-8306 • Fax: 866-532-8307
 • Phone: 800-935-5456 • Fax: 713-680-2999
 • Phone: 844-412-5068 • Fax: 800-640-2252
 • Phone: 800-433-7526 • Fax: 800-533-5134
 • Phone: 800-431-2082 • Fax: 845-278-9056
 EMAIL: mail@matco-norca.com