

205WH4LF Water Heater Drain Valve • Spec Sheet

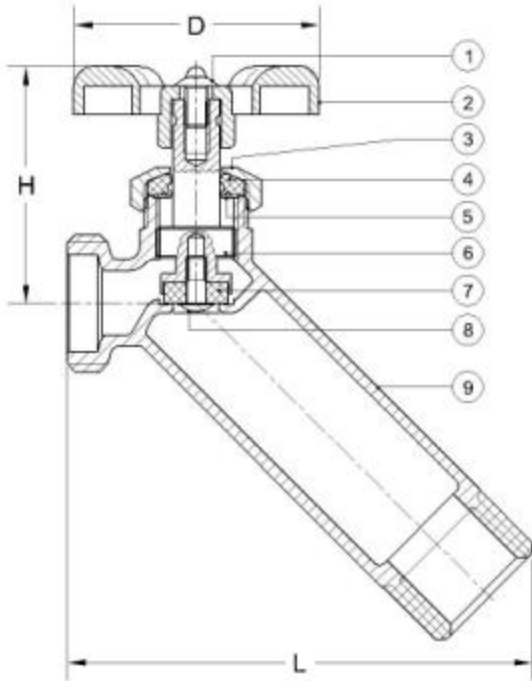


FEATURES & BENEFITS

- Lead Free Brass*
- ISO-9002
- Heavy Duty
- Pipe Threads Comply w / ANSI B1.20.1
- Hose Threads Comply w / ANSI B1.20.7
- ISO-9002
- 3/4" Male Hose Outlet

DIMENSIONS

Part #	Size	D	H	L
205WH4LF	3/4" MIP X 1/2" FIP - 2-1/4" Shank	1.87	1.04	2.96



MATERIAL SPECIFICATIONS

No.	Part	Material
1	Handle Bolt	Hot Rolled SAE 1010R
2	Handwheel	Zinc Alloy
3	Bonnet	Brass C89550
4	Gland Packing	BUNA
5	Washer	Stainless Steel 304/306
6	Stem	Brass C89550
7	Seat Packing	BUNA
8	Seat Screw	Brass B19 C26000
9	Body	Brass C89550

* This product complies with 0.25% weighted average lead content on wetted surfaces in accordance with CA AB1953.

