

203TLLF Loose Key Garden Valve • Spec Sheet



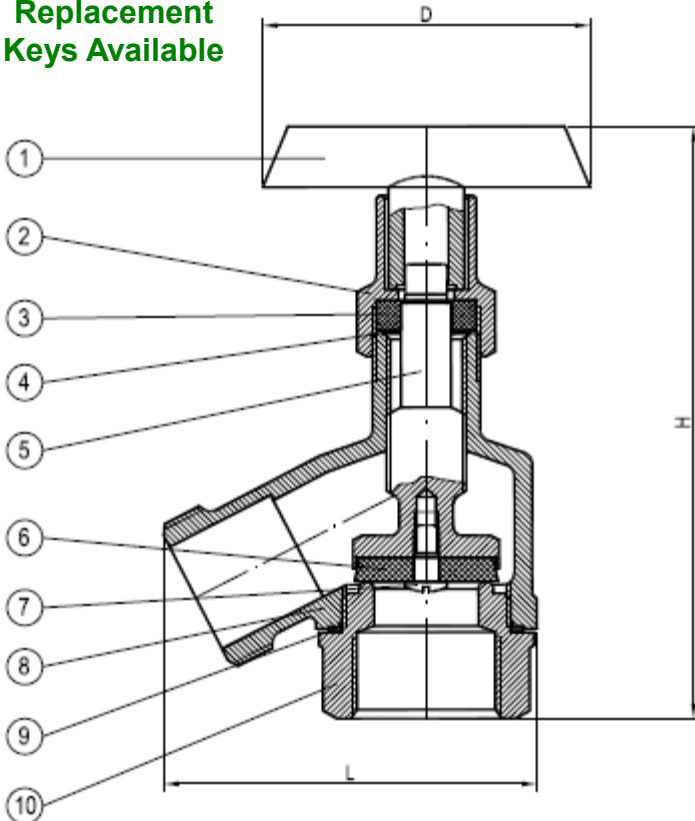
FEATURES & BENEFITS

- Lead Free Brass*
- 125 WOG
- Hose X FIP
- ISO-9002
- Size 1/2" - 1"

DIMENSIONS

Part #	Size	H	L	D
203TL3LF	1/2"	3.89	2.46	2.16
203TL4LF	3/4"	3.91	2.46	2.16
203TL5LF	1"	4.02	2.55	2.16

Replacement
Keys Available



MATERIAL SPECIFICATIONS

No.	Part	Material
1	Key	Zinc
2	Packing Nut	Brass C89550
3	Packing	Rubber SAE No. 1052#
4	Washer	Stainless Steel 304/306
5	Stem	Brass C89550
6	Seat Washer	Rubber SAE No. 1052#
7	Seat Screw	Brass C89550
8	Body	Brass C89550
9	Packing	Rubber SAE No. 1052#
10	Bonnet	Brass C89550

* This product complies with 0.25% weighted average lead content on wetted surfaces in accordance with CA AB1953.

