

200LLF Brass Globe Valve • Spec Sheet

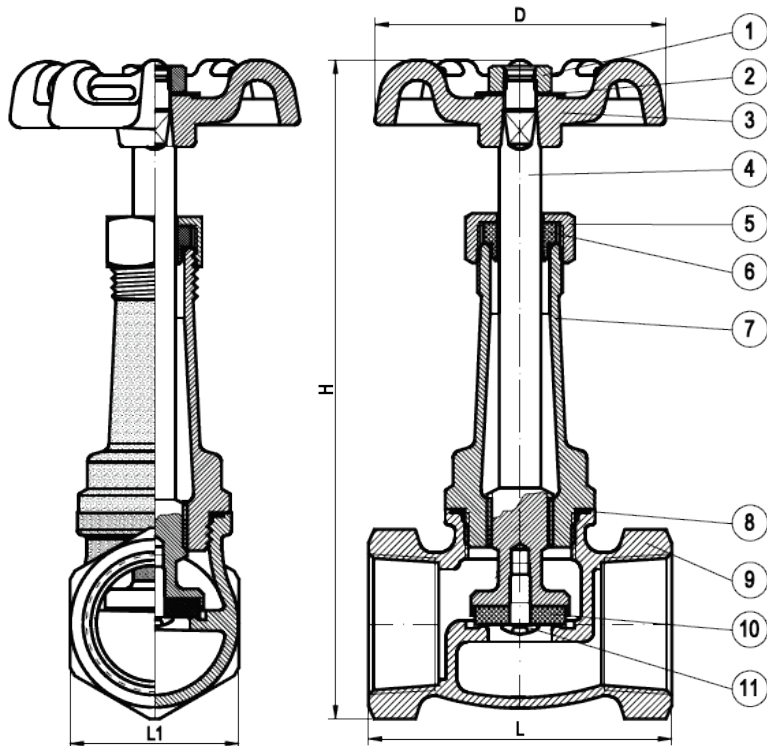


FEATURES & BENEFITS

- Lead Free Brass*
- ISO 9002
- 125 PSI
- Long Bonnet
- Straight Pattern
- Soft Seat
- Threaded or Solder Ends
- Size 1/2" - 3/4"

DIMENSIONS

Part #	Size	H	L	L1	D
200LT3LF	1/2" Threaded	4.71	2.11	1.06	2.11
200LT4LF	3/4" Threaded	4.79	2.21	1.23	2.11
200LC3LF	1/2" Sweat	4.65	2.11	1.12	2.11
200LC4LF	3/4" Sweat	4.71	2.71	1.17	2.11



MATERIAL SPECIFICATIONS

No.	Part	Material
1	Wheel Nut	Hot Rolled Wire Rods
2	Name Plate	Aluminum
3	Hand Wheel	Carbon Steel
4	Stem	Brass C46400
5	Packing Nut	Brass B124 C37700
6	Packing	BUNA SN-719F
7	Bonnet	Brass C46400
8	Washer	FIBRE 'H'
9	Seat Packing	BUNA SN-719F
10	Seat Screw	JIS H3260 C2600W
11	Body	Brass C46400

* These product complies with 0.25% weighted average lead content on wetted surfaces in accordance with Safe Water Drinking Act (SDWA) / Federal Public Law No. 111-380.

