

120W / WC Ductile Iron Swing Check Valve

Sizes 3" - 12" - Specification Sheet

FEATURES & BENEFITS

- Ductile Iron
- 300 PSI Non-Shock CWP
- Bolted Cover
- MSS SP 71 Compliant
- AWWAC508 Approved
- NSF/ANSI 61 & 372
- Fusion Bonded Epoxy Coating Inside & Outside – AWWA C550
- Outside Lever & Weight or Optional Spring Kit Available
- Flanged Ends Conform with ANSI B16.1
- For Horizontal Installation

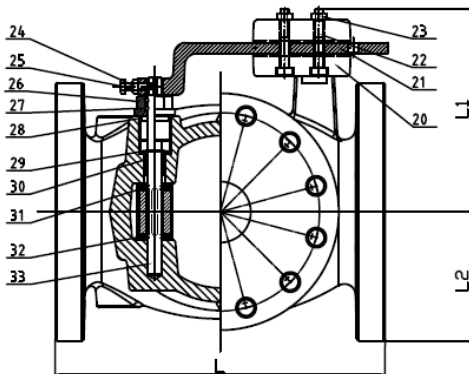
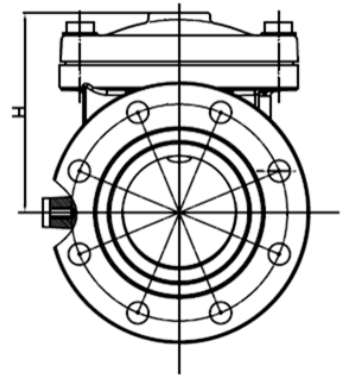
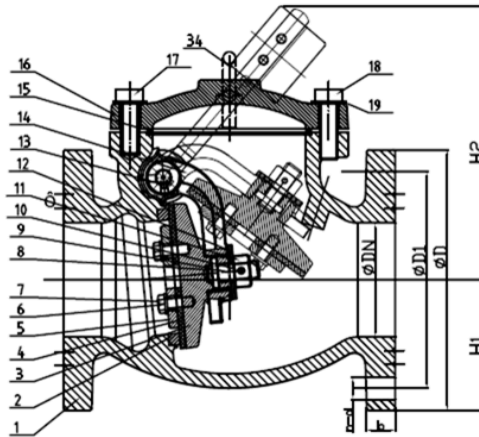


Applications: Wastewater & Sewage, Irrigation, Potable Water, Turf, Golf Course, Water Distribution

*120W is Less Outside Lever & Weight

MATERIAL SPECIFICATIONS

No.	Part	Material
1	Valve Body	Ductile Iron 65-45-12
2	Seat	ASTM B62 C83600
3	Disc	Ductile Iron 65-45-12
4	Disc Seat Ring	NBR
5	Retainer Washer	Ductile Iron 65-45-12
6	Washer	AISI 304
7	Bolt	AISI 304
8	Stud	ASTM B62 C83600
9	Roll Pin	AISI 304
10	Roll Pin	AISI 304
11	Nut	ASTM B62 C83600
12	Washer	ASTM B62 C83600
13	Flat Key	AISI 304
14	Clapper Arm	Ductile Iron 65-45-12
15	O-Ring	NBR
16	Bonnet	Ductile Iron 65-45-12
17	Bolt	AISI 316
18	Bolt	AISI 316
19	Washer	AISI 316
20	Weight	Ductile Iron 65-45-12
21	Arm	Ductile Iron 65-45-12
22	Bolt	AISI 316
23	Nut	AISI 316
24	Nut	AISI 316
25	Bolt	AISI 316
26	Seat Nut	ASTM B62 C83600
27	O-Ring	NBR
28	Gasket	PTFE
29	Circlip	Carbon Steel
30	Shaft Sleeve Gland	ASTM B62 C83600
31	Washer	ASTM B62 C83600
32	Washer	ASTM B62 C83600
33	Hinge Pin	AISI 420
34	Eye Bolt	Carbon Steel



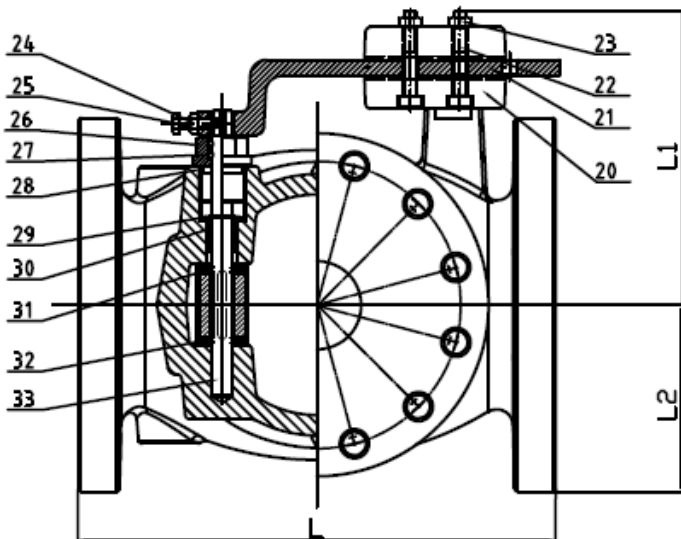
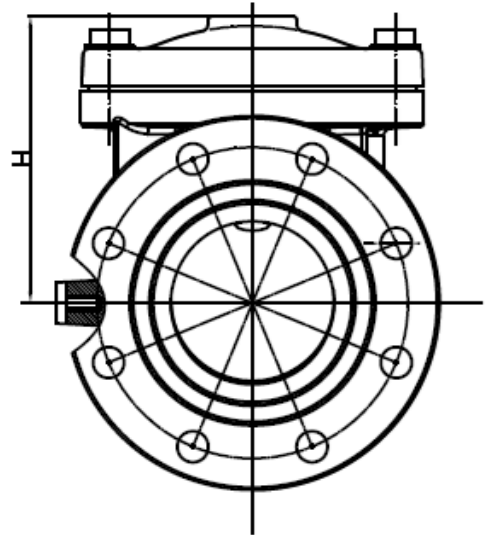
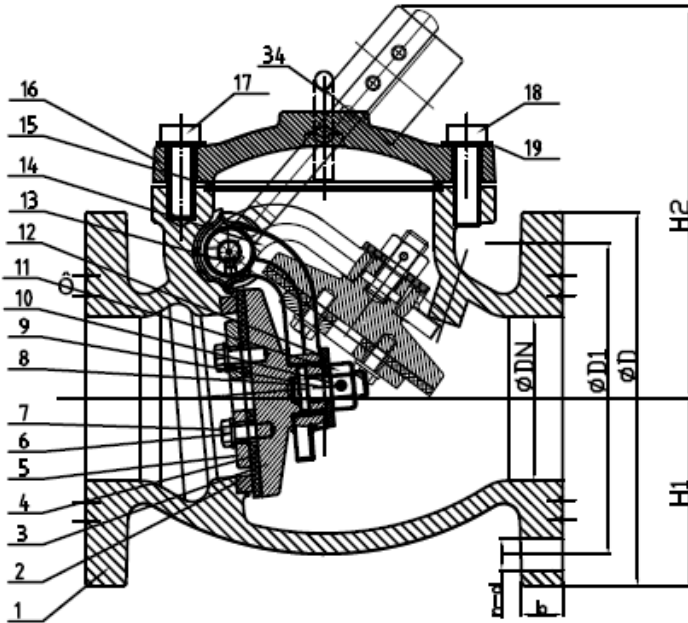
**Click Here
For Enlarged
Drawing**

DIMENSIONS

Size	DN	L	D	D1	B	n-d	H	H1	H2	L1	L2
3"	3.15	9.49	7.87	6.00	0.75	4-0.75	6.81	3.94	8.72	6.53	3.94
4"	3.94	11.50	9.02	7.50	0.94	8-0.75	6.91	4.51	10.39	7.13	4.51
6"	5.91	14.02	11.22	9.51	1.00	8-0.87	9.35	5.61	12.33	8.83	5.61
8"	7.88	19.49	13.50	11.75	1.12	8-0.87	10.70	6.75	16.54	11.24	6.75
10"	9.85	24.49	15.98	14.25	1.20	12-1	12.83	7.99	22.53	13.5	7.99
12"	11.82	27.48	19.02	17.00	1.26	12-1	14.09	9.51	23.92	14.37	9.51

120W / WC Ductile Iron Swing Check Valve

Sizes 3" - 12" - Specification Sheet



[Return To Page 1 \(Click Here\)](#)

120WC Ductile Iron Swing Check Valve

Sizes 14" & 16" - Specification Sheet

FEATURES & BENEFITS

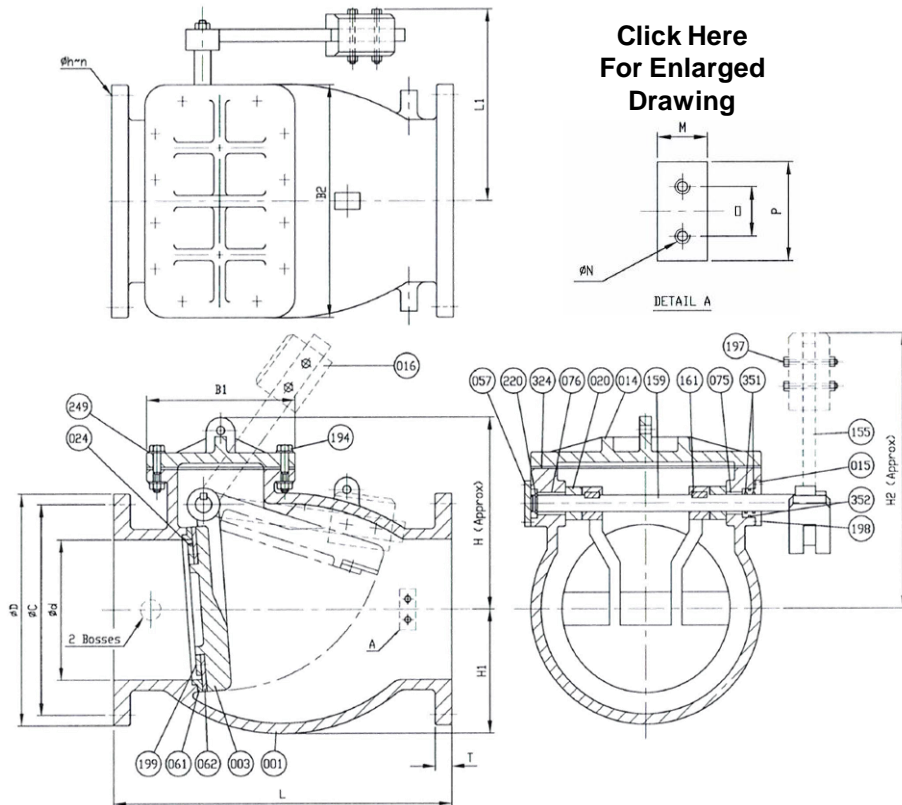
- Ductile Iron
- 150 PSI Non-Shock CWP
- Bolted Cover
- MSS SP 71 Compliant
- AWWAC508 Approved
- NSF/ANSI 61 & 372
- Fusion Bonded Epoxy Coating Inside & Outside – AWWAC550
- Outside Lever & Weight or Optional Spring Kit Available
- Flanged Ends Conform with ANSI B16.1
- For Horizontal Installation



Applications: Wastewater & Sewage, Irrigation, Potable Water, Turf, Golf Course, Water Distribution

MATERIAL SPECIFICATIONS

No.	Part	Material	ASTM Designation
001	Body	Cast Iron	A 126 Class B
003	Disc	Ductile Iron	A 536 Gr. 64-45-12
014	Cover	Cast Iron	A 126 Class B
015	End Plate (A)	Bronze	B 62
016	Weight	Cast Iron	A 126 Class B
020	Sleeve	Cast Iron	A 126 Class B
024	Seat Holder	Ductile Iron	A 536 Gr. 64-45-12
057	End Plate (B)	Cast Iron	A 126 Class B
061	Body Seat Ring	Stainless Steel	A 276 Type 304
062	Disc Seat Ring	Rubber (BUNA-N)	D 2000 bk 707
075	Bushing (A)	Bronze	B 62
076	Bushing (B)	Bronze	B 62
155	Weight Arm	Zinc Coated Steel	A 36
159	Hinge Pin	Stainless Steel	A 276 Type 304
161	Key	Stainless Steel	A 276 Type 304
194	Cover Bolt & Nut	Zinc Coated Steel	A 307 Grade B
197	Weight Bolt & Nut	Zinc Coated Steel	A 307 Grade B
198	End Plate Bolt	Zinc Coated Steel	A 307 Grade B
199	Seat Holder Bolt	Stainless Steel	A 276 Type 304
220	Snap Ring	Stainless Steel	-----
249	Washer	Zinc Coated Steel	A 36
324	Cover Gasket	Rubber (BUNA-N)	D 2000 BK 707
351	O-Ring B	Rubber (BUNA-N)	D 2000 BK 707
352	O-Ring C	Rubber (BUNA-N)	D 2000 BK 707



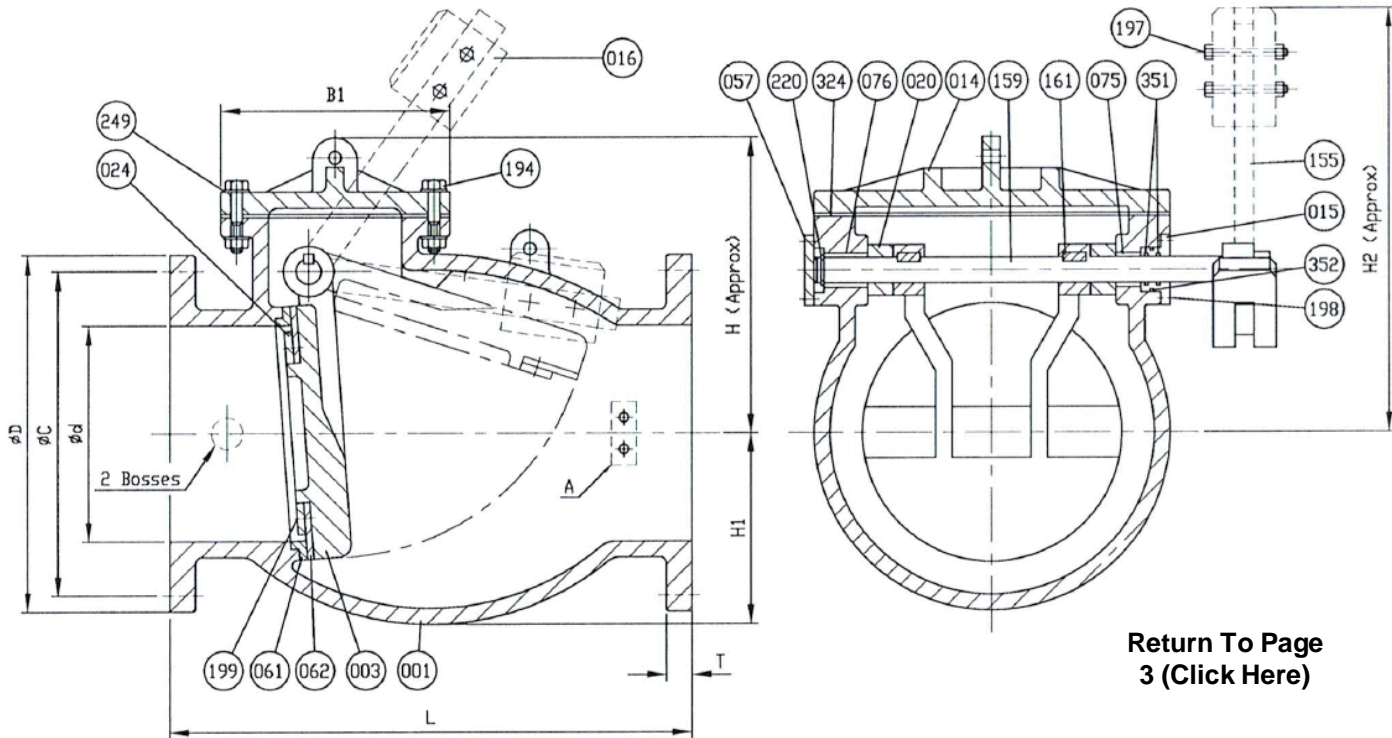
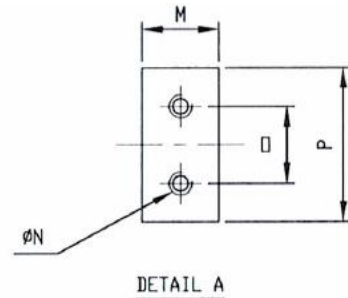
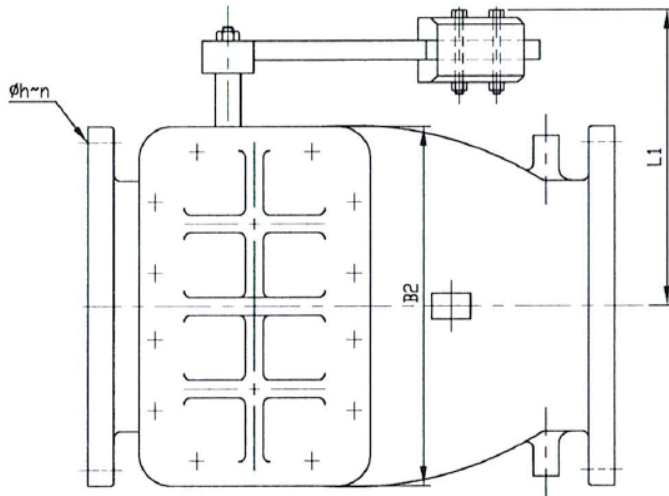
[Click Here For Enlarged Drawing](#)

DIMENSIONS

Size Ød	L	ØD	ØC	Øh	n	T	B1	B2	H	H1	H2	L1	M	N	O	P
14"	31	21	18-3/4	1-1/8	12	1-3/8	13-3/16	22-3/16	18-1/8	10-13/16	30	17-1/2	2	3/4 X 10TPI(UNC)	2-3/8	3-15/16
16"	36	23-1/2	21-1/4	1-1/8	16	1-7/16	14-5/8	24-1/8	20-3/4	12-7/8	38-11/16	19-5/16	2	3/4 X 10TPI(UNC)	2-3/8	3-15/16

120WC Ductile Iron Swing Check Valve

Sizes 14" & 16" - Specification Sheet

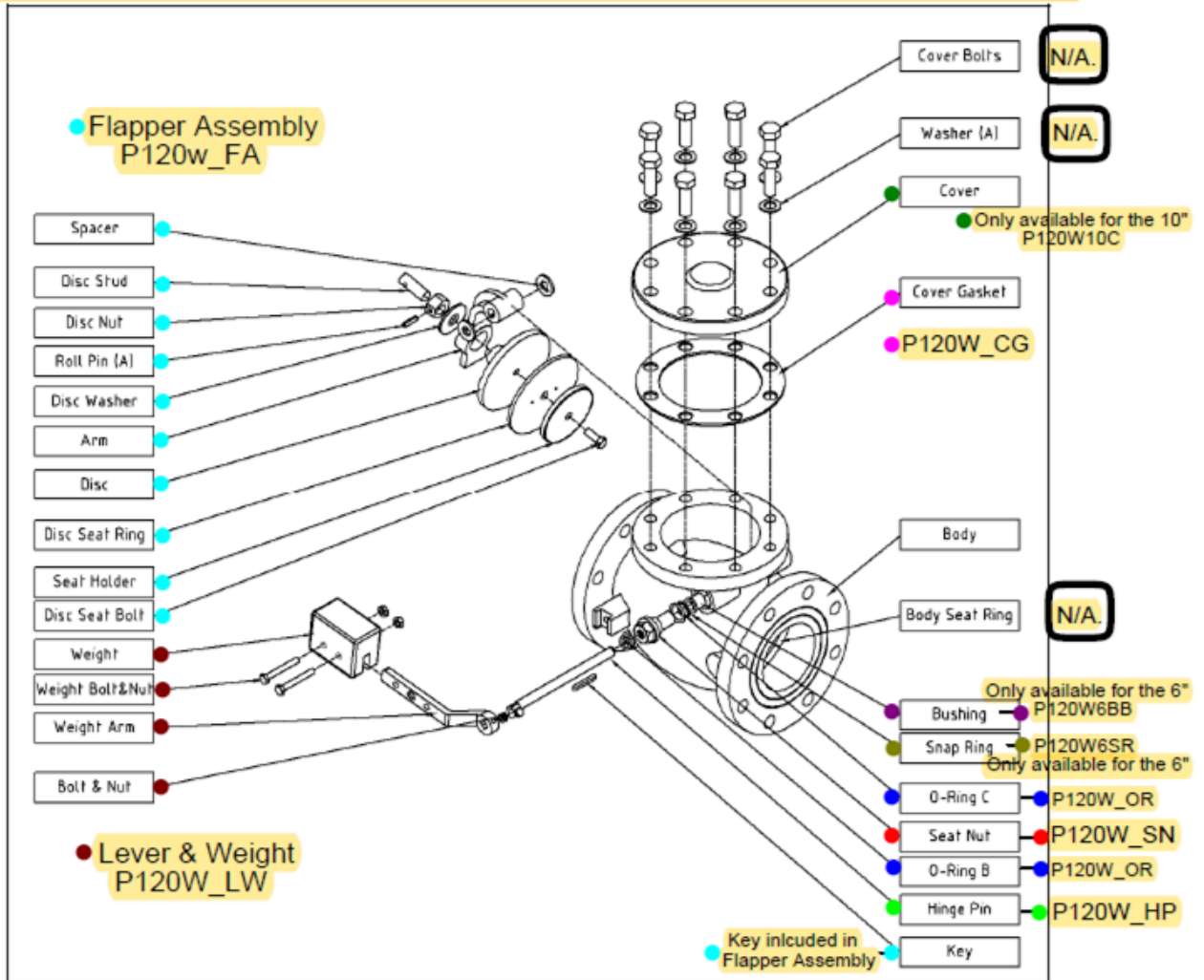


Return To Page
3 (Click Here)

120W / 120WC Replacement Parts

ASSEMBLY OF CHECK VALVE (120WC)

This breakdown is "ONLY" for 3"-12" SIAM Cast Iron (SCI) Valves made in "Thailand".



NOTE: VALVE SIZE GOES IN THE UNDERSCORE SECTION OF PART#

PARTS NOT AVAILABLE FOR ALL SIZES