

120F Cast Iron Swing Check Valve • Spec Sheet



FEATURES & BENEFITS

- ISO-9002
- Check Valve-Flanged Ends
- Class 125
- 200 CWP
- Resilient Seat
- Epoxy Coating
- Bolted Cover
- Full Waterway
- Conforms to MSS-SP-71
- Flanged Ends Conform with ANSI B16.1
- Suitable For Horizontal Installation
- Sizes 2" - 12"

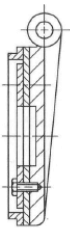
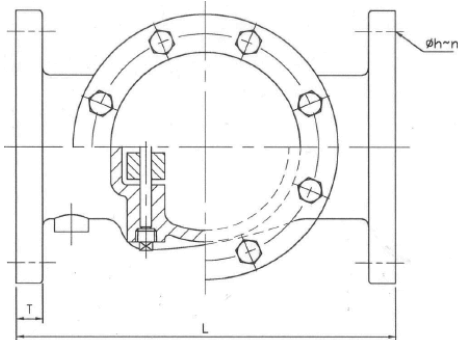
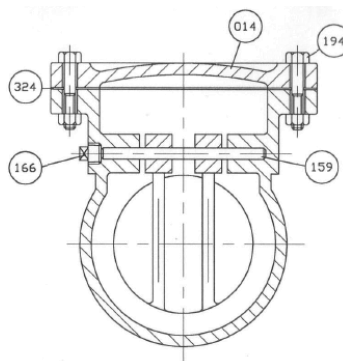
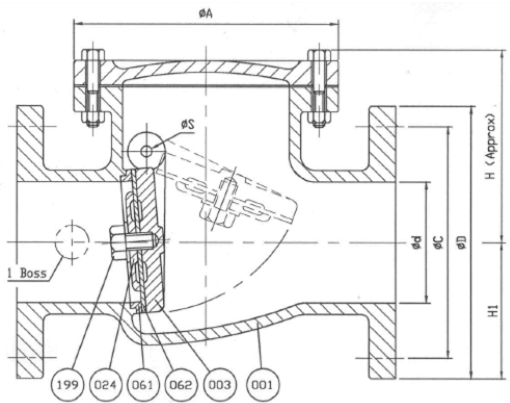
Applications:
Irrigation, Turf, Golf
Course, Water
Distribution, Pump
Station

MATERIAL SPECIFICATIONS

No.	Part	Material	ASTM Designation
001	Body	Cast Iron	A 126 Class B
003	Disc	Cast Iron	A 126 Class B
014	Cover	Cast Iron	A 126 Class B
024	Seat Holder	2"-6" Cast Iron 8"-12" Ductile Iron	A 126 Class B A 536 Gr. 65-45-12
061	Body Seat Ring	Stainless Steel	A 276 Type 304
062	Disc Seat Ring	Rubber (Buna-N)	D 2000 BK 707
159	Hing Pin	Stainless Steel	A 276 Type 304
166	Plug	Malleable Iron	A 47
194	Cover Bolt & Nut	Zinc Coated Steel	A 307 Grade B
199	Seat Holder Bolt	Stainless Steel	A 276 Type 304
324	Cover Gasket	Rubber (Buna-N)	D 2000 BK 707

DIMENSIONS

Part #	Size	L	ØD	ØC	Ø h	N	T	ØA	ØS	H	H1	Approx. Weight (lbs)
120F08	2"	8	6	4-3/4	3/4	4	5/8	5-5/16	1/4	4-3/16	3	19.8
120F09	2-1/2"	8-1/2	7	5-1/2	3/4	4	11/16	6-1/2	5/16	4-15/16	3-1/2	30.8
120F10	3"	9-1/2	7-1/2	6	3/4	4	3/4	7-1/8	5/16	5-15/16	3-3/4	41.8
120F11	4"	11-1/2	9	7-1/2	3/4	8	15/16	8-1/2	3/8	6-9/16	4-1/2	68.3
120F12	5"	13	10	8-1/2	7/8	8	15/16	9-11/16	1/2	7-5/16	5	79.3
120F13	6"	14	11	9-1/2	7/8	8	1	11-7/16	1/2	7-11/16	5-1/2	114.6
120F14	8"	19-1/2	13-1/2	11-3/4	7/8	8	1-1/8	14-3/8	3/4	9-1/4	6-3/4	231.4
120F15	10"	24-1/2	16	14-1/4	1	12	1-3/16	17	7/8	10-11/16	8	357
120F16	12"	27-1/2	19	17	1	12	1-1/4	19-7/8	7/8	12-5/8	9-1/2	498.1



For Size 8" (200)-12" (300)

MATCO-NORCA
Global sourcing. National compliance. Local service.

CALIFORNIA 5595 Fresca Dr., La Palma CA 90623
TEXAS 1150 Silber Rd., Houston TX 77055
ILLINOIS 278 Windy Point Dr., Glendale Heights, IL 60139
GEORGIA 113 Industrial Blvd., Americus, Georgia 31709
NEW YORK PO Box 27, Rt.22, Brewster NY 10509
WEB: www.matco-norca.com

• Phone: 866-532-8306 • Fax: 866-532-8307
• Phone: 800-935-5456 • Fax: 713-680-2999
• Phone: 844-412-5068 • Fax: 800-640-2252
• Phone: 800-433-7526 • Fax: 800-533-5134
• Phone: 800-431-2082 • Fax: 845-278-9056
EMAIL: mail@matco-norca.com