

# 115F IRON BODY SWING CHECK VALVE



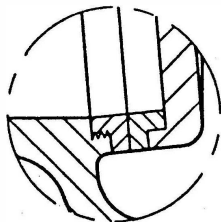
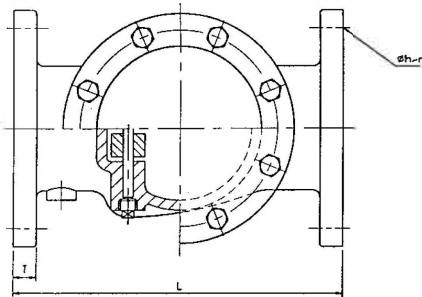
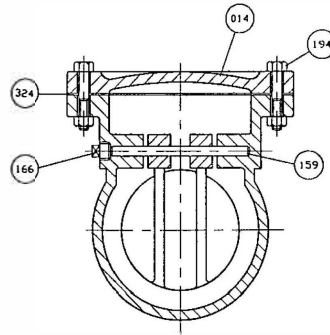
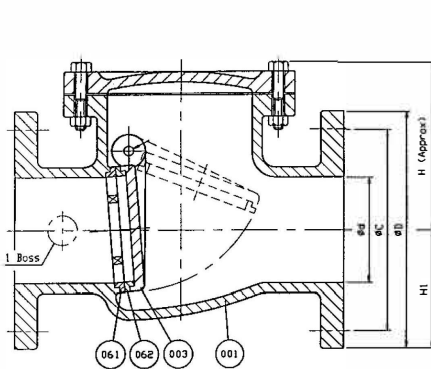
- ◆ Iron Body, Flanged Ends ◆ Bronze Mounted (IBBM) ◆ Bolted Cover ◆ Full Waterway
- ◆ Class 125 ◆ Suitable for Horizontal Installation
- ◆ Internal and External Bituminous Coating

**200 PSI NON-SHOCK COLD WOG 125 PSI SATURATED STEAM**

**APPLICATIONS:** Low pressure Steam, Air, Water and Non-Corrosive Gas or Oil

Product Spec Sheet

Conforms to MSS-SP-71  
End Flanges of conform to ANSI B16.1, Class 125  
ISO-9002



Body Screwed In

## MATERIAL SPECIFICATIONS

NO.	PART	MATERIAL	ASTM DESIGNATION
001	Body	Cast Iron	A 126 Class B
003	Disc Renewable	Ductile Iron	A 536 Gr 65-45-12
014	Cover	Cast Iron	A 126 Class B
061	Body Seat Ring	Bronze	B 62
062	Disc Seat Ring	Bronze	B 62
159	Hinge Pin	Stainless Steel	A 276 Type 304
166	Plug Renewable	Malleable Iron	A 47
194	Cover Bolt & Nut	Steel	A307 Grade B
324	Cover Gasket	Non Asbestos Sheet	Non-Asbestos

## DIMENSIONS & WEIGHTS

SIZE INCH (d)	L	ANSI B16.1 CL. 125 ØD	ØC	Øh	n	T	H	H1	APPROX. WT. LBS.
2"	8.0	6.0	4.75	.75	4	.63	4.19	3.00	20
2-1/2"	8.5	7.0	5.50	.75	4	.69	4.94	3.50	31
3"	9.5	7.5	6.00	.75	4	.75	5.94	3.75	42
4"	11.5	9.0	7.50	.75	8	.94	6.69	4.50	69
5"	13.0	10.0	8.50	.88	8	.94	7.31	5.00	80
6"	14.0	11.0	9.50	.88	8	1.00	7.69	5.50	115
8"	19.5	13.5	11.75	.88	8	1.13	9.25	6.75	231
10"	24.5	16.0	14.25	1.00	12	1.19	10.69	8.00	357
12"	27.5	19.0	17.00	1.00	12	1.25	12.63	9.50	498



**BREWSTER:** TEL: 800-431-2082 **FAX:** 800-640-2252 **HOUSTON:** TEL: 800-935-5456 **FAX:** 800-683-4247

PREVIOUS

Click The Product Name Below To Return To That Index  
BRASS & BRONZE VALVES    CAST IRON VALVES    FAUCETS

NEXT