

754PXCEFLF Cold Expansion PEX Ball Valve

Specification Sheet

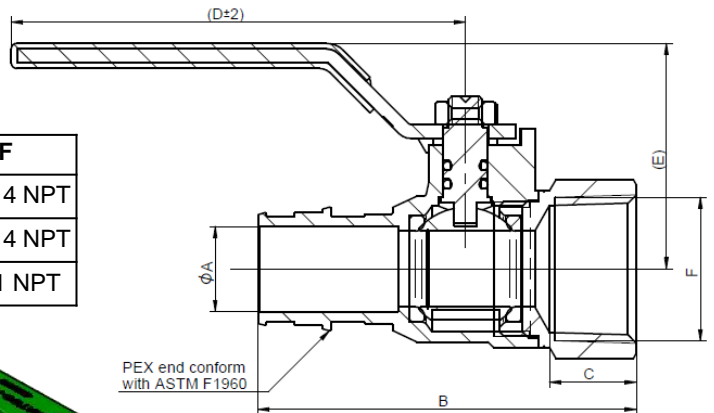
FEATURES & BENEFITS

- Lead Free Brass
- 400 WOG
- Full Port
- NSF 14/61 & cUPC Approved
- Blow-Out Proof Stems
- Cold Expansion x FNPT
- ASTM F1960 (Cold Expansion Fitting Ends)
- FNPT Complies with ASME B1.20.1.
- Sizes 1/2" - 1"



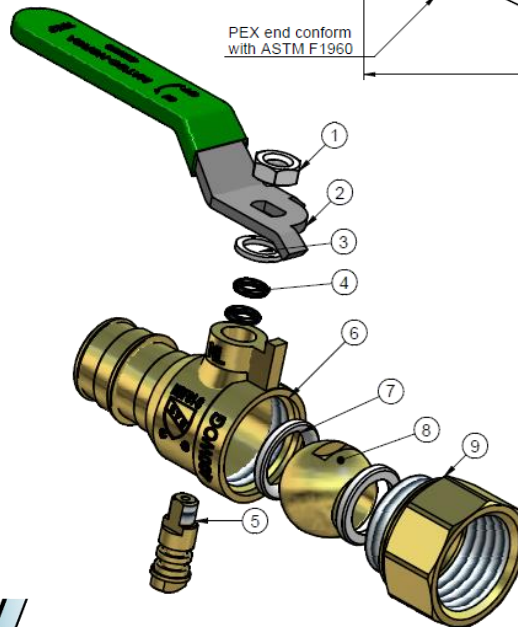
DIMENSIONS

| Part # | Size | A | B | C | D | E | F |
|--------------|------|------|------|------|------|------|-------------|
| 754PXCEF03LF | 1/2" | 0.38 | 2.25 | 0.57 | 2.96 | 1.49 | 1/2"-14 NPT |
| 754PXCEF04LF | 3/4" | 0.59 | 2.66 | 0.61 | 3.19 | 1.59 | 3/4"-14 NPT |
| 754PXCEF05LF | 1" | 0.81 | 3.29 | 0.73 | 4.18 | 1.97 | 1"-11 NPT |



MATERIAL SPECIFICATIONS

| No. | Part | Material |
|-----|---------|--------------|
| 1 | Hex Nut | Steel |
| 2 | Handle | Steel |
| 3 | Washer | PTFE |
| 4 | O-Ring | EPDM |
| 5 | Stem | Brass C46500 |
| 6 | Body | Brass C46500 |
| 7 | Seats | PTFE |
| 8 | Ball | Brass C46500 |
| 9 | Bonnet | Brass C46500 |



 **MATCO-NORCA**
Global sourcing. National compliance. Local service.