

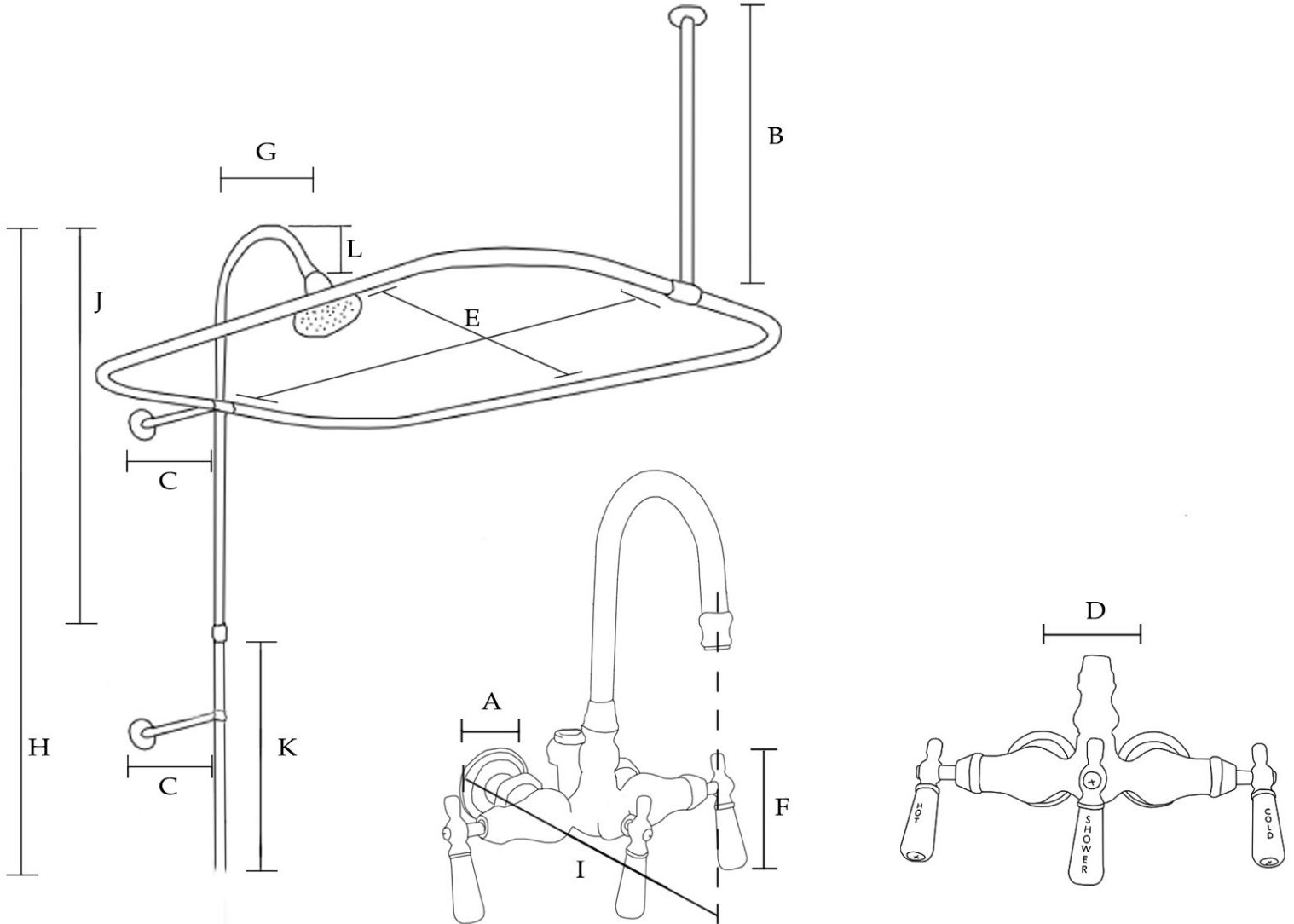


# MAIDSTONE

www.MaidstoneSupply.com

## Wall Mount Shower Enclosure

Part No: 125-GW2



- |                            |  |                             |
|----------------------------|--|-----------------------------|
| (A) Base: 2-1/2" OD        | (E) 48" Frame:* 28" W x 48" L; 3/4" OD | (H) Riser: 76" H; 5/8" OD   |
| (B) Brace - Ceiling: 30" L | 54" Frame: 28" W x 54" L; 3/4" OD      | (I) Spout: 8" Reach         |
| (C) Brace - Wall: 10" L    | 60" Frame:* 28" W x 60" L; 3/4" OD     | (J) Upper Pipe Riser: 28" L |
| (D) Centers: 3-3/8" W      | (F) Handle: 3-1/2" L                   | (K) Lower Riser Pipe: 48" L |
|                            | (G) Projection: 9" Reach               | (L) Riser Curve Drop: 5" L  |

\*Chrome Only

Flow Rate: 7 gal/min

Contact Maidstone for additional information and specifications. For complete warranty information and a list of dealers visit [www.MaidstoneSupply.com](http://www.MaidstoneSupply.com). All products and specifications are subject to change without notice. Maidstone is not responsible for typographical and/or dimensional errors. Typographical errors are subject to correction.

Note: Rough-in dimensions may vary +/- 1/2" and are subject to change. No responsibility is assumed by Maidstone.