

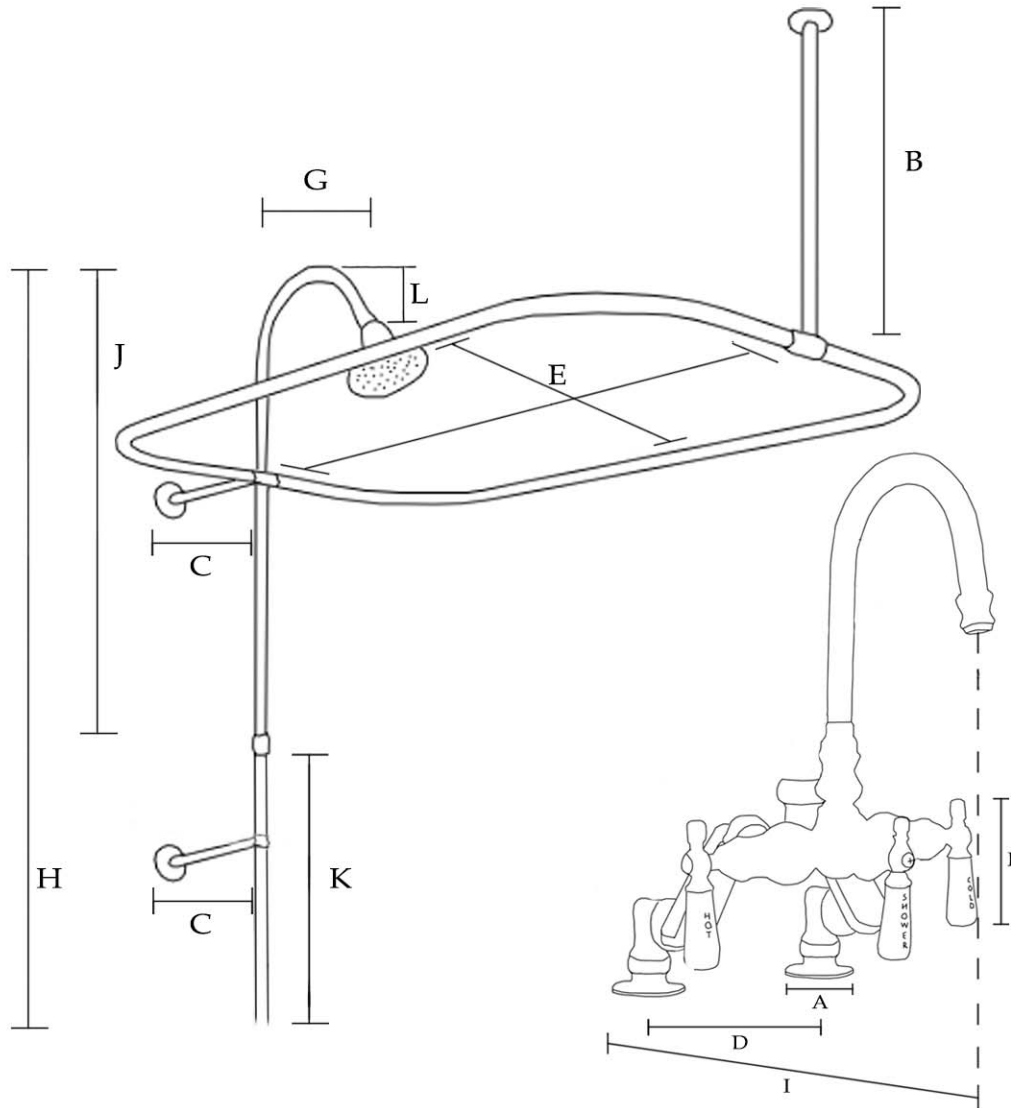


MAIDSTONE

www.MaidstoneSupply.com

Wall Mount Shower Enclosure

Part No: 125-GR1



- | | | |
|----------------------------|--|-----------------------------|
| (A) Base: 2" OD | (E) 48" Frame:* 28" W x 48" L; 3/4" OD | (H) Riser: 76" H; 5/8" OD |
| (B) Brace - Ceiling: 30" L | 54" Frame: 28" W x 54" L; 3/4" OD | (I) Spout: 9" Reach |
| (C) Brace - Wall: 10" L | 60" Frame:* 28" W x 60" L; 3/4" OD | (J) Upper Pipe Riser: 28" L |
| (D) Centers: 3" - 8-1/2" W | (F) Handle: 3-1/2" L | (K) Lower Riser Pipe: 48" L |
| | (G) Projection: 9" Reach | (L) Riser Curve Drop: 5" L |

*Chrome Only

Flow Rate: 7 gal/min

Contact Maidstone for additional information and specifications. For complete warranty information and a list of dealers visit www.MaidstoneSupply.com. All products and specifications are subject to change without notice. Maidstone is not responsible for typographical and/or dimensional errors. Typographical errors are subject to correction.

Note: Rough-in dimensions may vary +/- 1/2" and are subject to change. No responsibility is assumed by Maidstone.

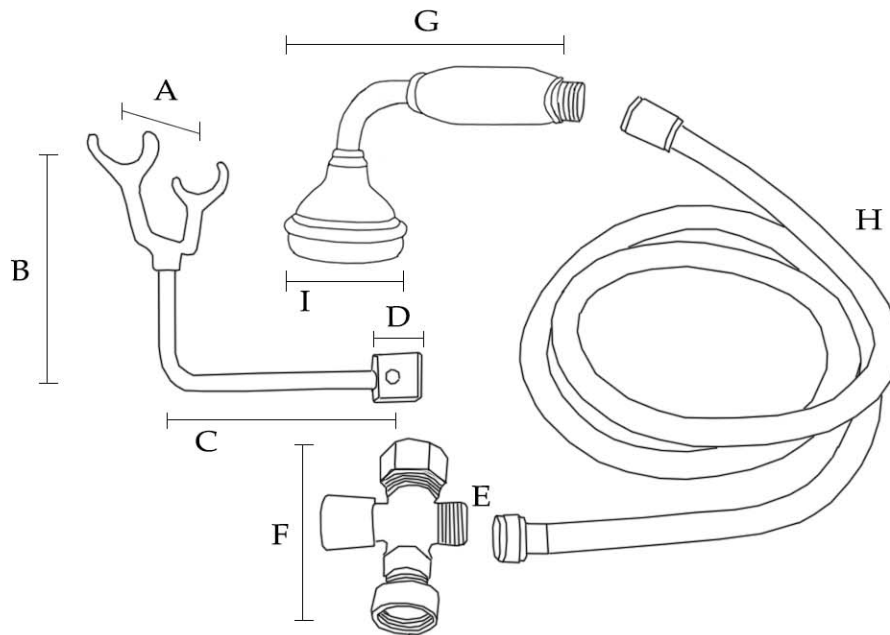


MAIDSTONE

www.MaidstoneSupply.com

Wall Mount Shower Enclosure

Part No: 125-GR1



(A) Cradle: 5-3/4" W

(D) Cradle Ring: 5/8" OD

(G) Handshower: 7" L

(B) Cradle: 4-3/4" H

(E) Diverter Body: 1/2" Male IPS

(H) Hose: 59" L

(C) Cradle: 4-1/2" Reach

(F) Diverter Body: 2" H

(I) Shower Head: 2-1/2" OD

Contact Maidstone for additional information and specifications. For complete warranty information and a list of dealers visit www.MaidstoneSupply.com. All products and specifications are subject to change without notice. Maidstone is not responsible for typographical and/or dimensional errors. Typographical errors are subject to correction.

Note: Rough-in dimensions may vary +/- 1/2" and are subject to change. No responsibility is assumed by Maidstone.