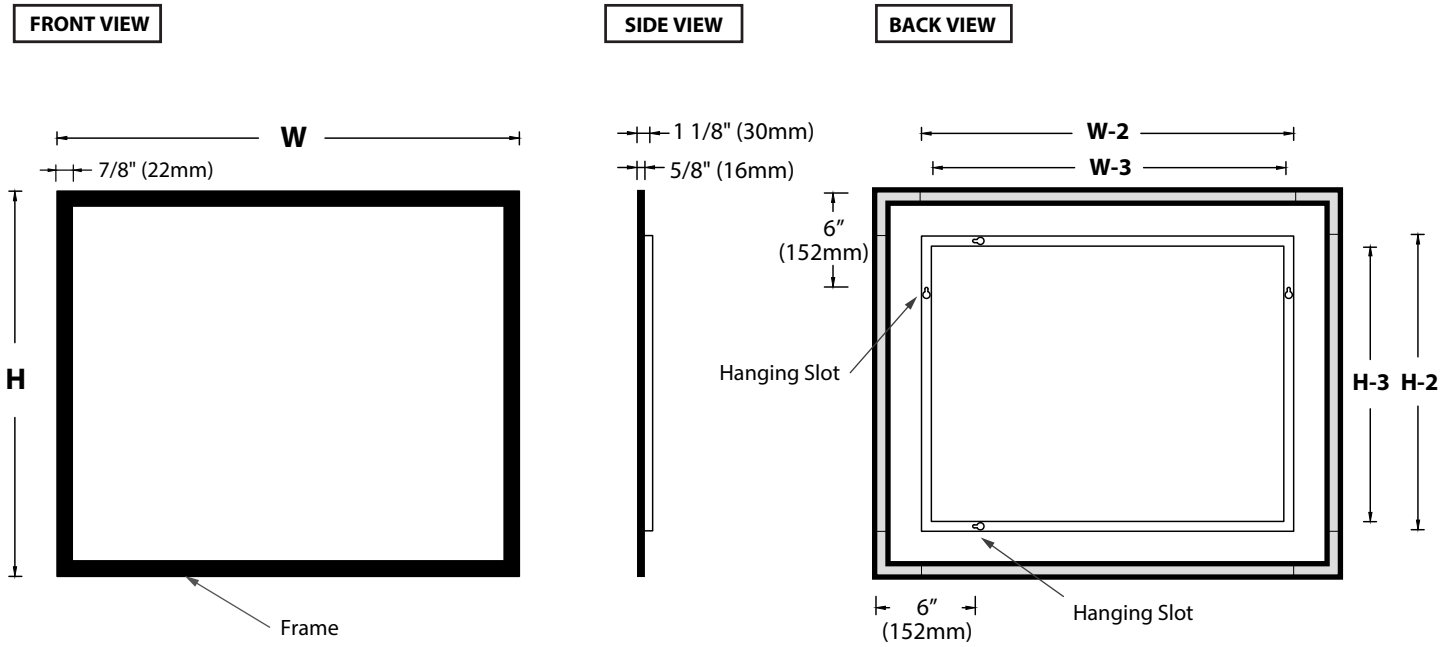


The Accent Mirror Collection

Specification & Installation Guide



Features

- Wall hung framed mirror
- Design "floating" look - 3/4" off the wall
- Dual installation: mirror can be hung in long or short direction
- Framed mirror with aluminum base
- Copper free mirror and GreenShield™ protective backing

| MODEL | W | H | W-2 | H-2 | W-3 | H-3 | PACKAGE | GROSS WEIGHT |
|------------------|-----------------|-----------------|--------------|--------------|------------------|------------------|----------------|---------------|
| RL-AC1636-FRO-XX | 16 1/8"(409mm) | 36 1/8"(917mm) | 9" (229mm) | 29" (736mm) | 8 1/4" (210mm) | 28 1/4" (717mm) | 19" x 36" x 6" | 20lbs/9kgs |
| RL-AC2030-FRO-XX | 20 1/8"(511mm) | 30 1/8"(765mm) | 13" (330mm) | 23" (584mm) | 12 1/4" (311mm) | 22 1/4" (564mm) | 23" x 33" x 6" | 18lbs/8kgs |
| RL-AC2430-FRO-XX | 24 1/8"(613mm) | 30 1/8"(765mm) | 17" (432mm) | 23" (584mm) | 16 1/4" (412mm) | 22 1/4" (564mm) | 27" x 33" x 6" | 20lbs/9kgs |
| RL-AC2448-FRO-XX | 24 1/8"(613mm) | 48 1/8"(1222mm) | 17" (432mm) | 41" (1041mm) | 16 1/4" (412mm) | 40 1/4" (1022mm) | 27" x 51" x 6" | 21lbs/9.5kgs |
| RL-AC3030-FRO-XX | 30 1/8"(765mm) | 30 1/8"(765mm) | 23" (584mm) | 23" (584mm) | 22 1/4" (565mm) | 22 1/4" (564mm) | 33" x 33" x 6" | 22lbs/10kgs |
| RL-AC3630-FRO-XX | 36 1/8"(917mm) | 30 1/8"(765mm) | 29" (737mm) | 23" (584mm) | 28 1/4" (717mm) | 22 1/4" (564mm) | 39" x 33" x 6" | 25lbs/11kgs |
| RL-AC4230-FRO-XX | 42 1/8"(1070mm) | 30 1/8"(765mm) | 35" (889mm) | 23" (584mm) | 34 1/4" (869mm) | 22 1/4" (564mm) | 45" x 33" x 6" | 29lbs/13kgs |
| RL-AC4830-FRO-XX | 48 1/8"(1222mm) | 30 1/8"(765mm) | 41" (1041mm) | 23" (584mm) | 40 1/4" (1022mm) | 22 1/4" (564mm) | 51" x 33" x 6" | 34lbs/15.5kgs |
| RL-AC6030-FRO-XX | 60 1/8"(1527mm) | 30 1/8"(765mm) | 53" (1346mm) | 23" (584mm) | 52 1/4" (1327mm) | 22 1/4" (564mm) | 63" x 33" x 6" | 42lbs/19kgs |
| RL-AC7230-FRO-XX | 72 1/8"(1832mm) | 30 1/8"(765mm) | 65" (1651mm) | 23" (584mm) | 64 1/4" (1631mm) | 22 1/4" (564mm) | 75" x 33" x 6" | 50lbs/22.5kgs |

For clarification, please contact Madeli Customer Care at (800) 819-6988 Ext.1 or service@madeli.com

All dimensions are approximate and subject to standard tolerance. Specifications subject to change without prior notice.