

Venasca - 72" Double Bowl

Specification & Installation Guide

Features

- Wall hung 72" vanity: 15-3/4"(400mm)H x 18"(458mm)D x 71" (1805mm)W
- Furniture grade plywood layered with solid wood veneer and protected with several coats of polyurethane.
- Matching finish inside out
- Two fully adjustable drawer with full extension soft-close European hardware
- Four adjustable tempered glass dividers
- Handle: Polished Chrome or Brushed Nickel finish

Colors/Finishes

- Ash Grey (AG)
- Glossy White (GW)
- Walnut (WA)

Top/Basin options

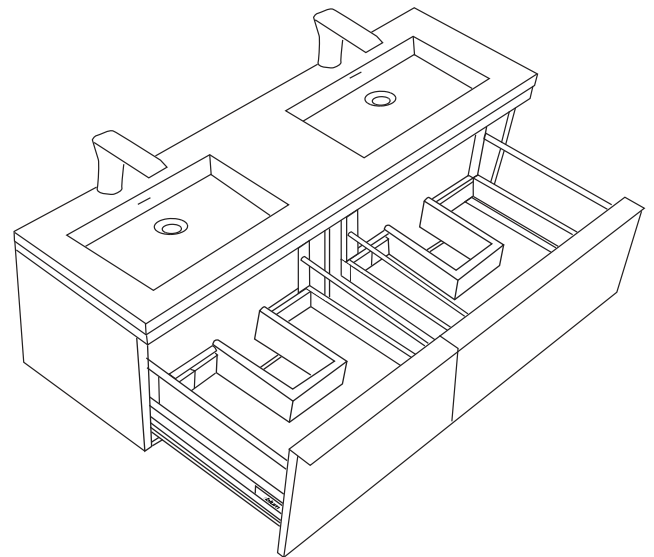
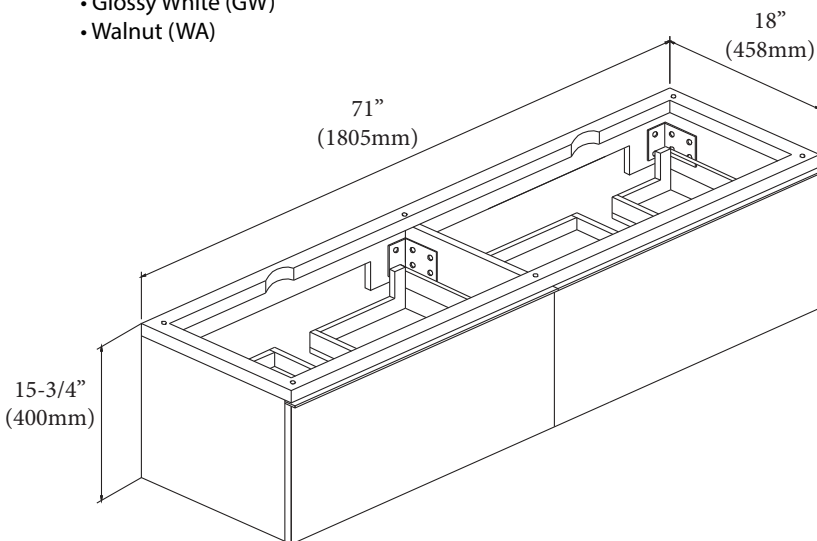
- White, Soft Grey or White Carrara top with under mount ceramic basin
- Glossy White X-Stone top/basin
- Glossy or Matte White X-Stone flat top

Package Dimension

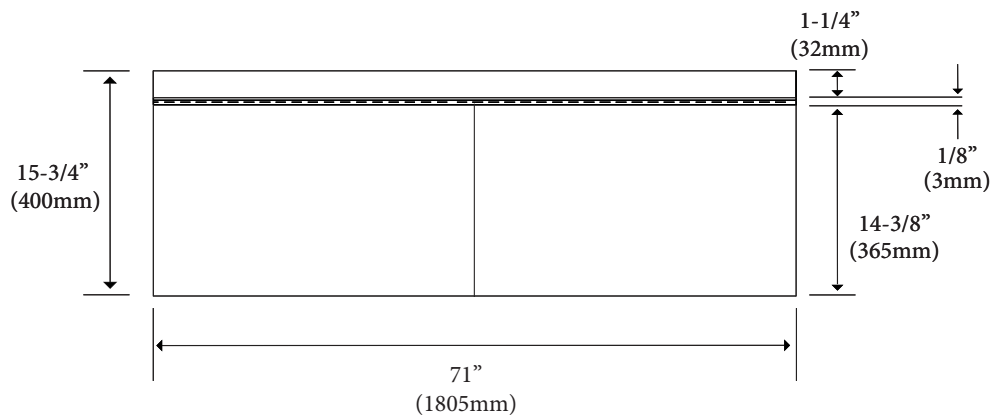
75" x 23" x 19"

Gross Weight

106lbs / 48kgs



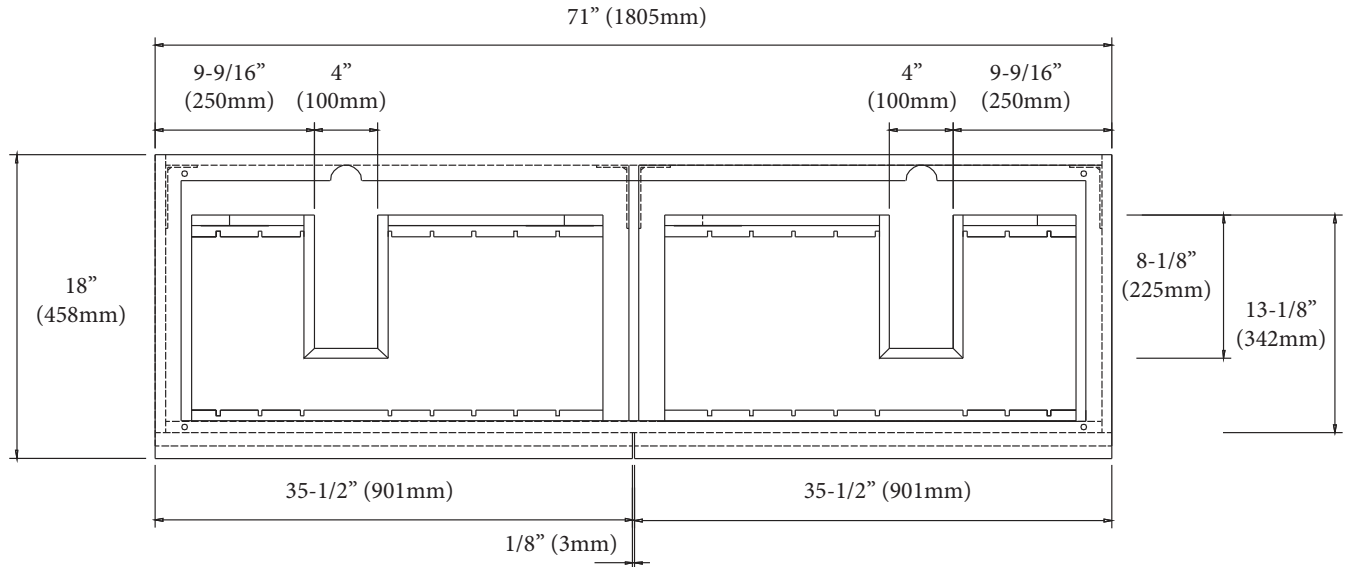
FRONT VIEW



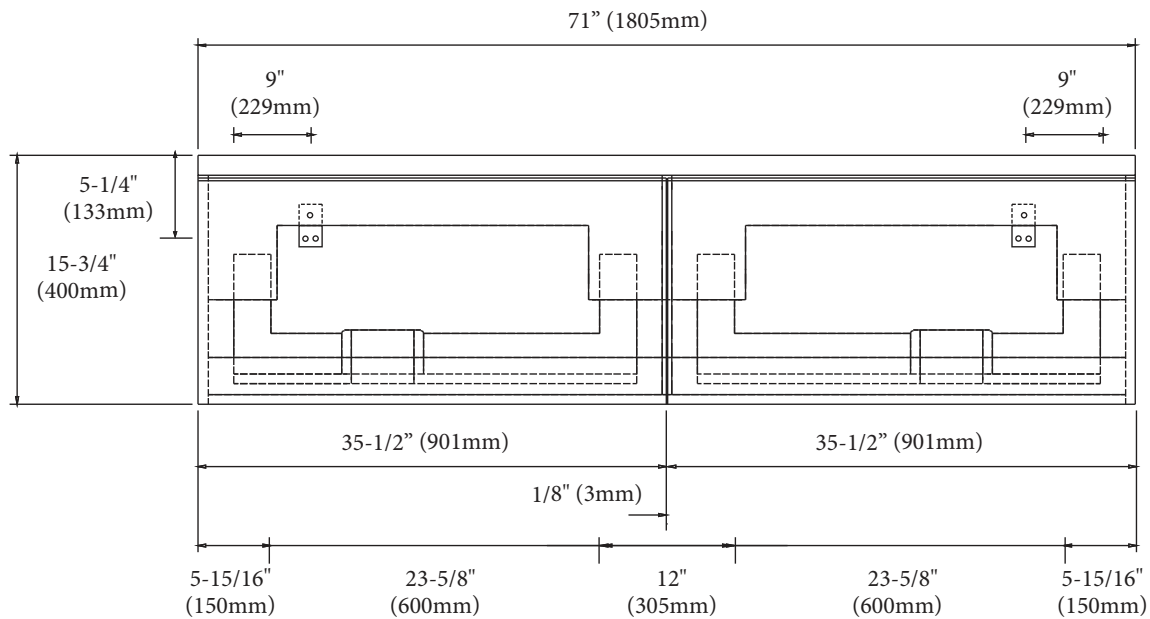
Venasca - 72" Double Bowl

Specification & Installation Guide

FRONT VIEW



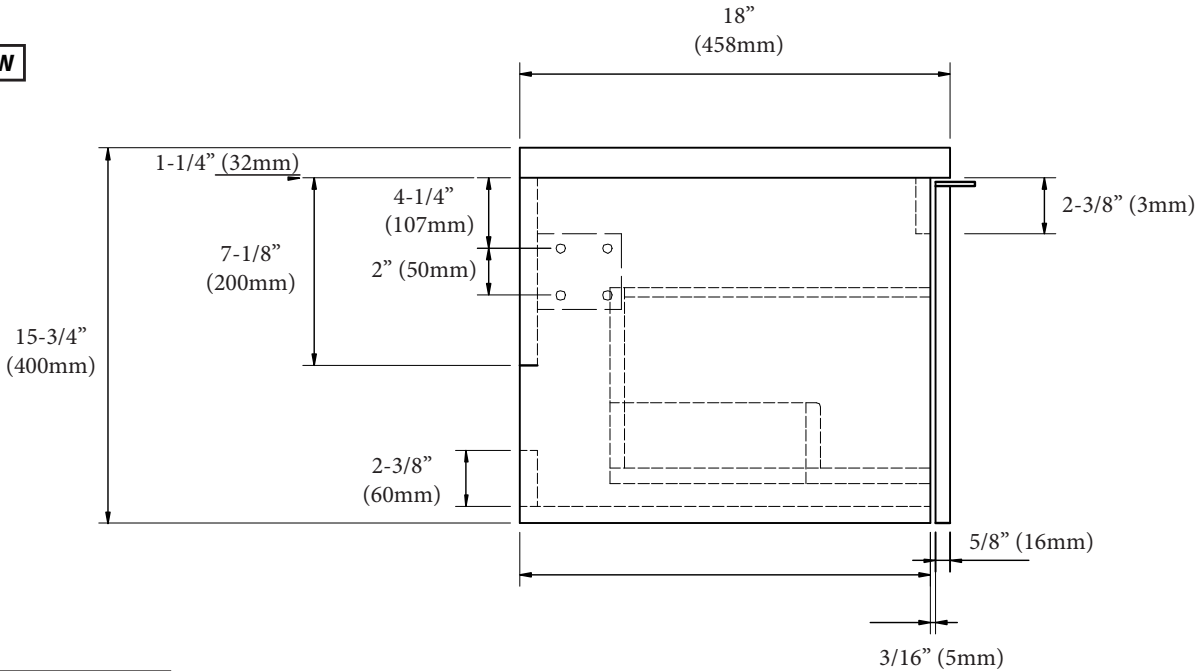
BACKVIEW



Venasca - 72" Double Bowl

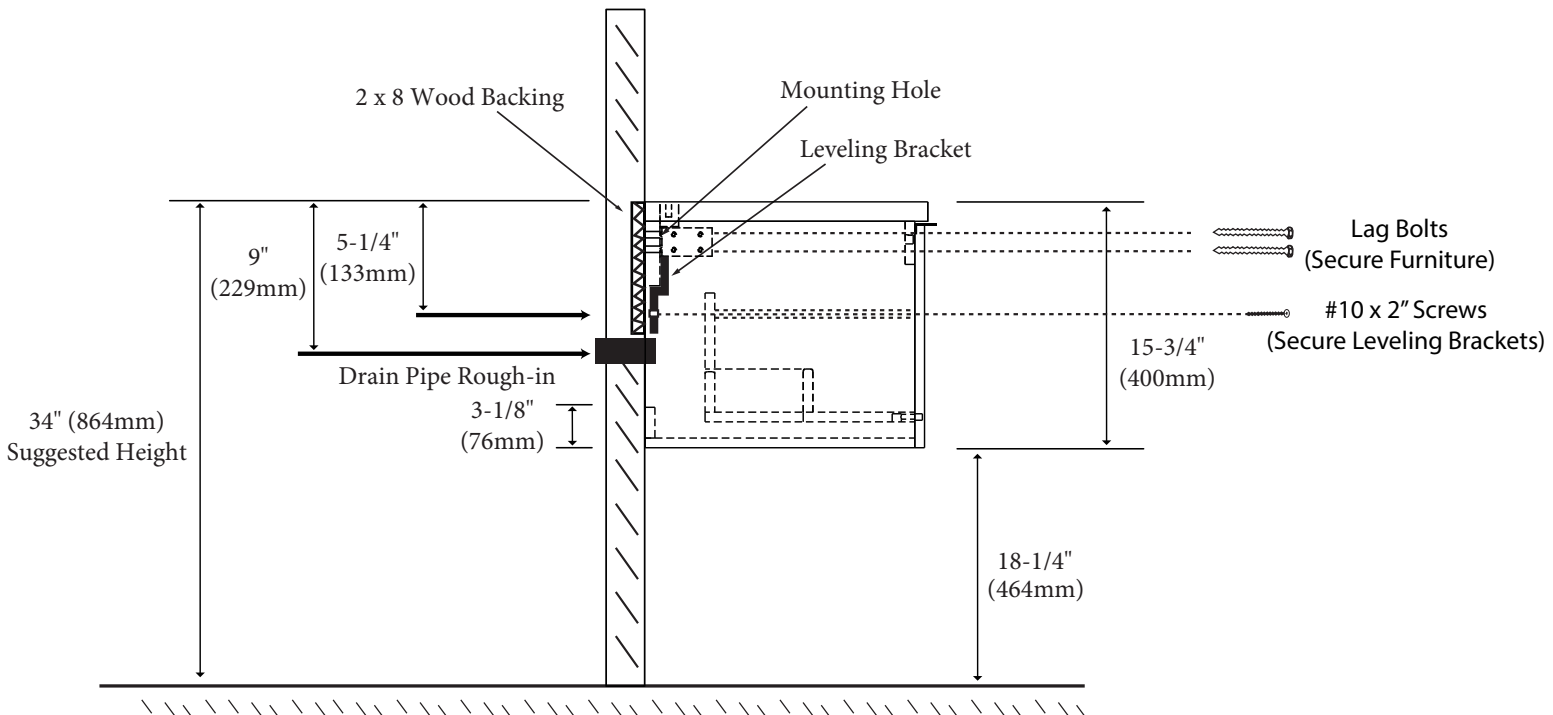
Specification & Installation Guide

SIDE VIEW



TYPICAL INSTALLATION

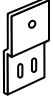




The typical dimensions shown will result in vanity cabinet height of 34" (864mm). Depending on the countertop selected, the total height will vary from 35-1/4" (895mm) to 36-1/2" (927mm). For above-counter vessels with typical heights between 4" and 6", it is suggested to lower the cabinet to 31" (785mm). If alternate heights are desired, adjust the rough-in and backing material heights using the dimensions provided.



Venasca - 72" Double Bowl

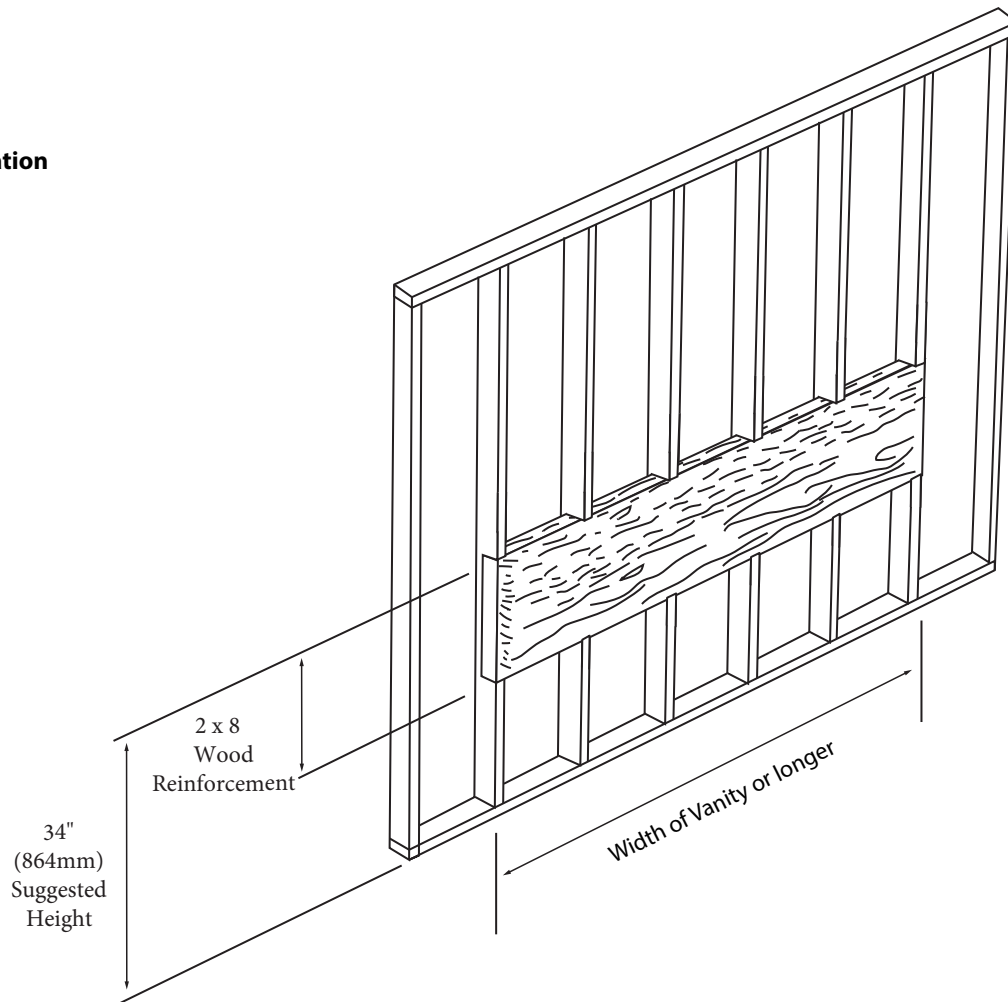
Specification & Installation Guide

INSTALLATION INSTRUCTIONS

Item	Leveling Bracket	#10 x 2" Screws	Anchors	Lag Bolt 5/16 x 2-1/2"	Silicone (not included)
Qty.	2	4	4	4	1
					

STEP 1

Wall Preparation



For clarification, please contact Madeli Customer Care at (800)-819-6988 or (305)-718-8817 Ext. 1

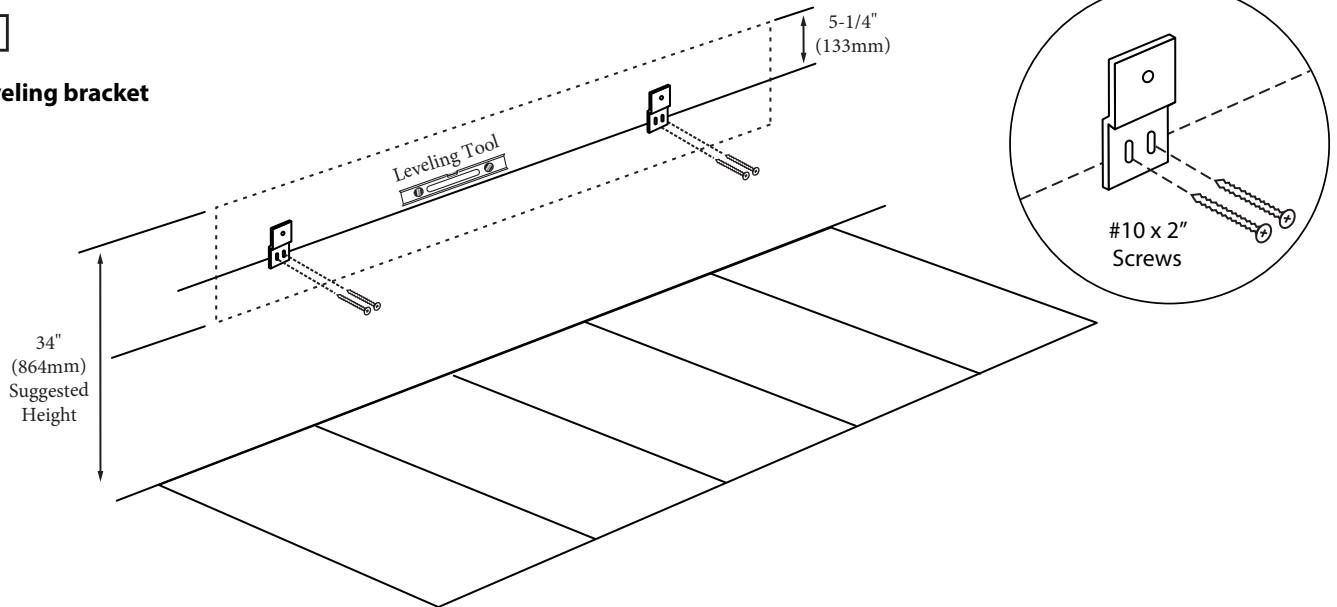
All dimensions are approximate and subject to standard tolerance. Specifications subject to change without prior notice.

Venasca - 72" Double Bowl

Specification & Installation Guide

STEP 2

Install leveling bracket



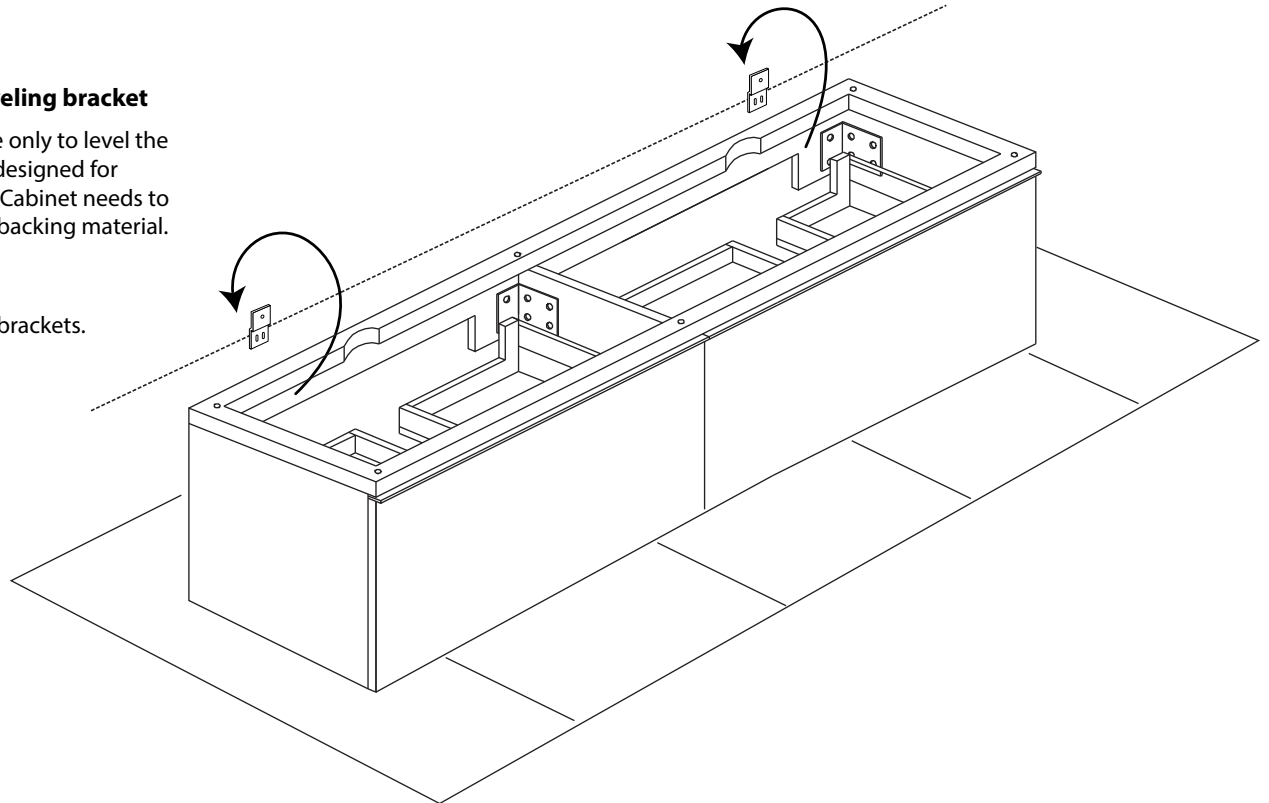
STEP 3

Place vanity on leveling bracket

Leveling brackets are only to level the vanity. They are not designed for permanent support. Cabinet needs to be secured to wood backing material.

NOTE:

Location of Leveling brackets.

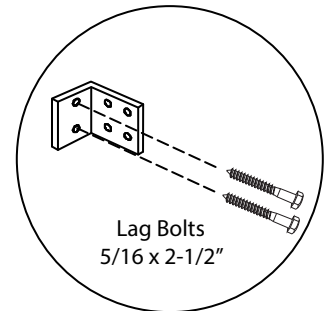
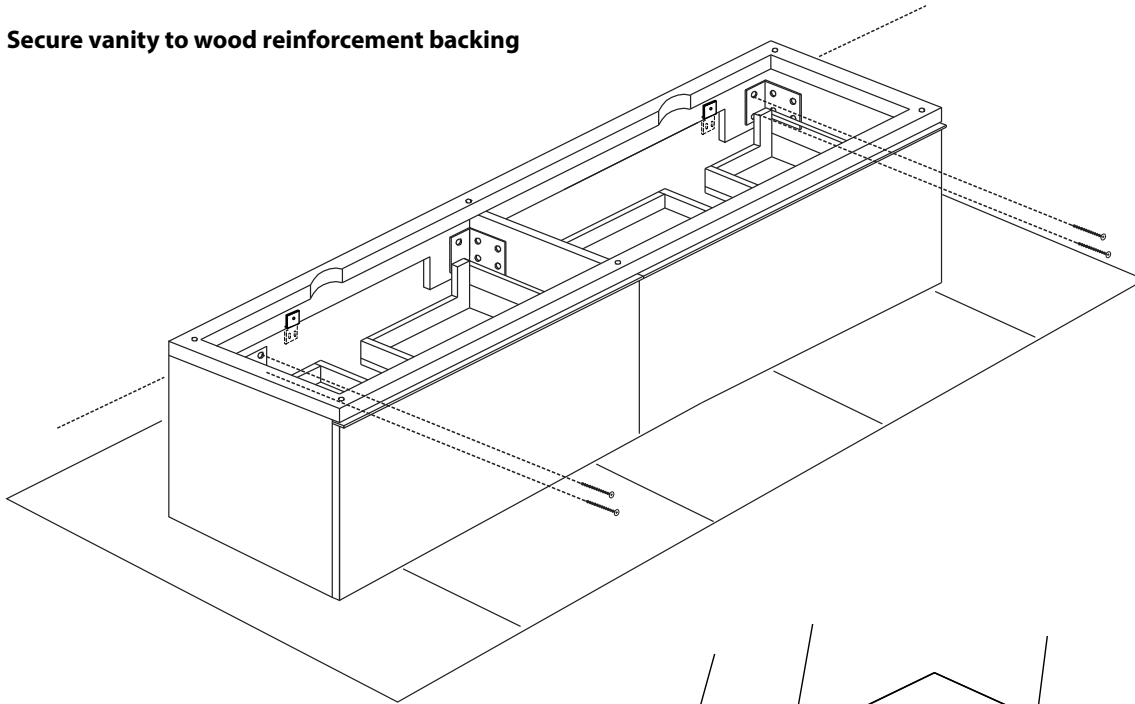


Venasca - 72" Double Bowl

Specification & Installation Guide

STEP 4

Secure vanity to wood reinforcement backing



STEP 5

Install countertop with Silicone

NOTE:

Location of Leveling brackets.

