

Bolano - 60" Double Bowl

Specification & Installation Guide

Features

- Wall hung 60" vanity : 24-3/8"(620mm)H x 18"(458mm)D x 59-1/4" (1505mm)W
- Furniture grade plywood layered with solid wood veneer and protected with several coats of polyurethane (No particle board or MDF used).
- Matching finish inside out
- Six fully adjustable drawers with full-extension soft-close European hardware.
- Bottom drawers include adjustable tempered glass dividers
- Tall center drawer includes an interior pull-out drawer

Colors/Finishes

- Ash Grey (AG)
- Glossy White (GW)
- Walnut (WA)

Top/Basin options

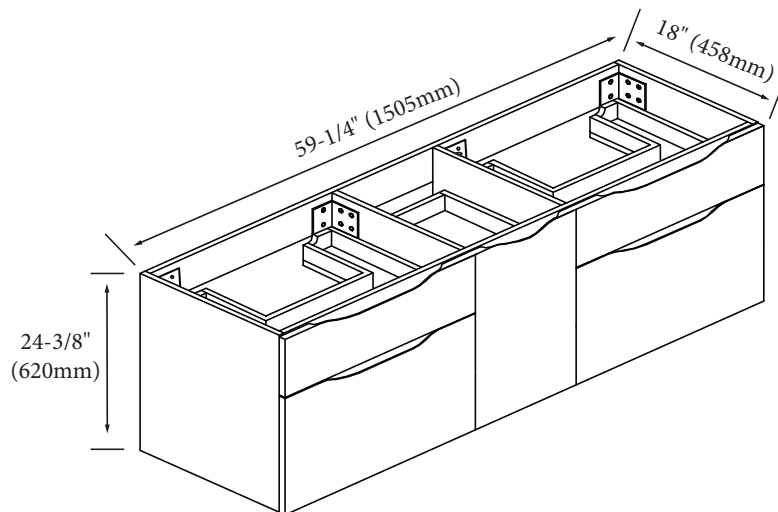
- White, Soft Grey or White Carrara Quartzstone™ top & White ceramic basin
- Glossy White X-Stone top/basin
- Glossy or Matte White X-Stone flat countertop

Package Dimensions

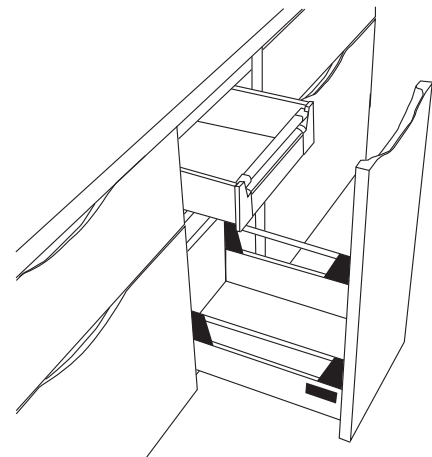
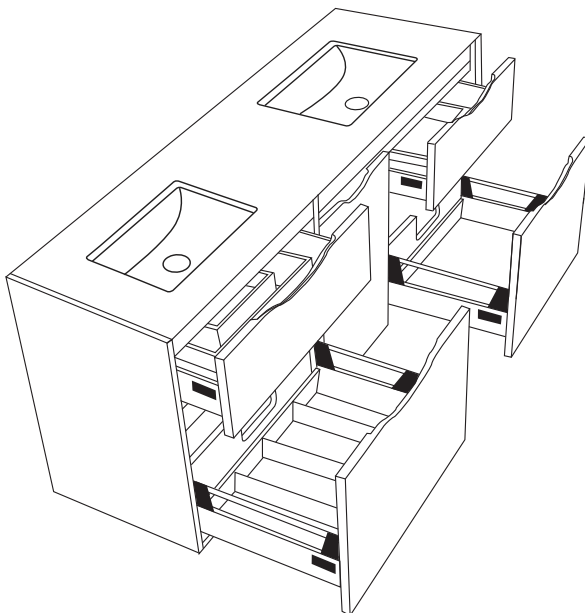
63" x 22" x 27"

Weight

185 lbs. / 84.09 kgs



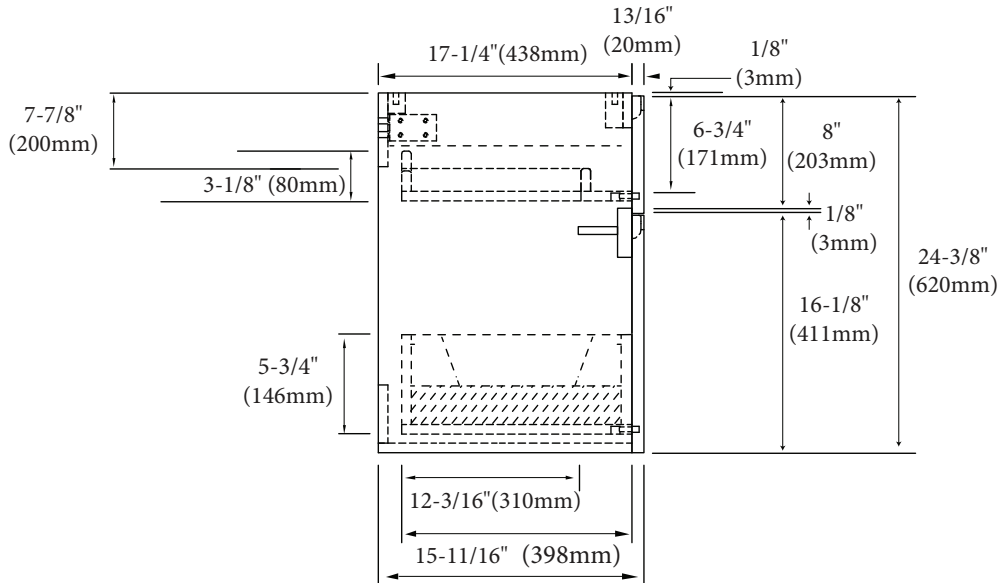
CENTER DRAWERS



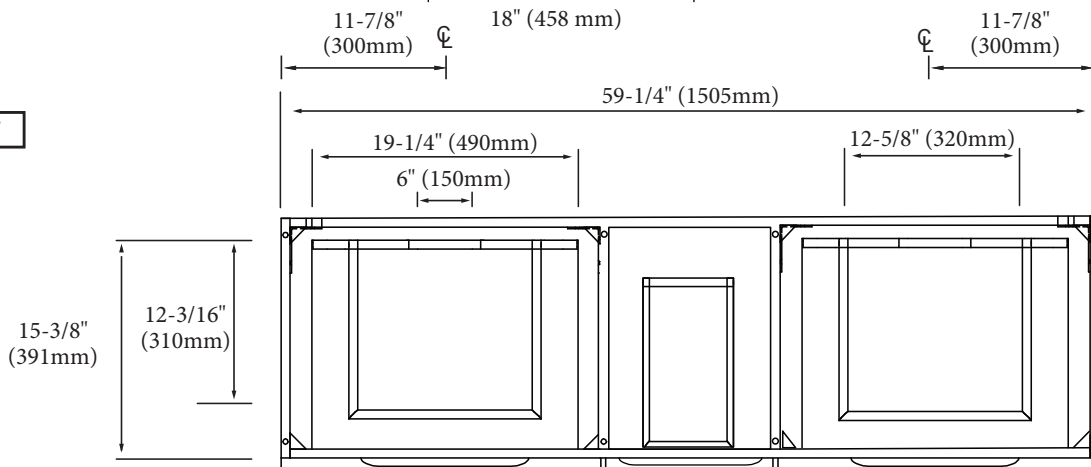
Bolano - 60" Double Bowl

Specification & Installation Guide

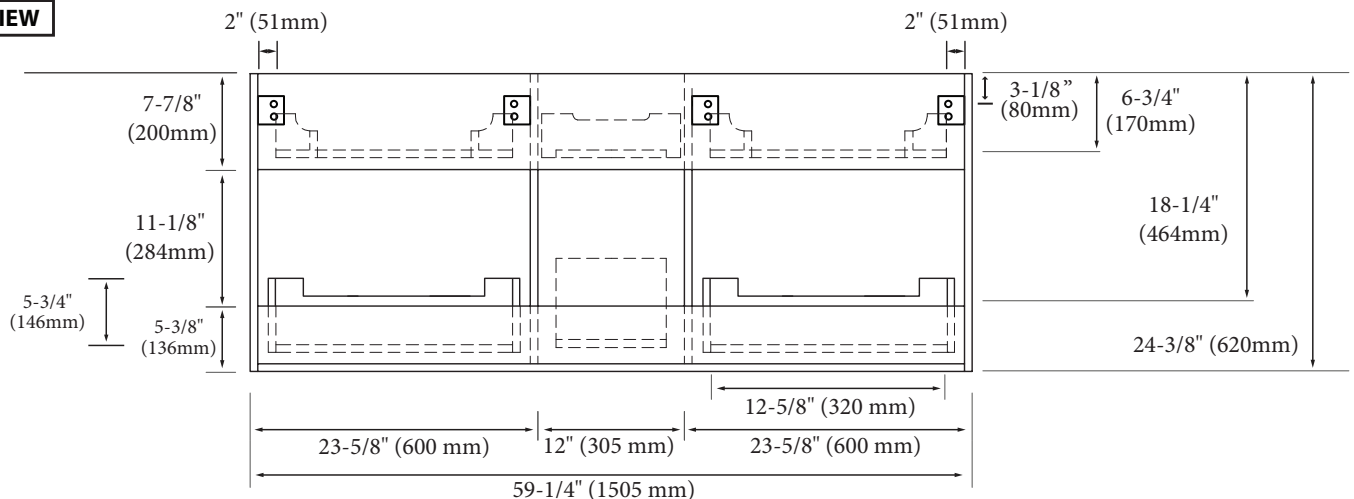
SIDE VIEW



TOP VIEW

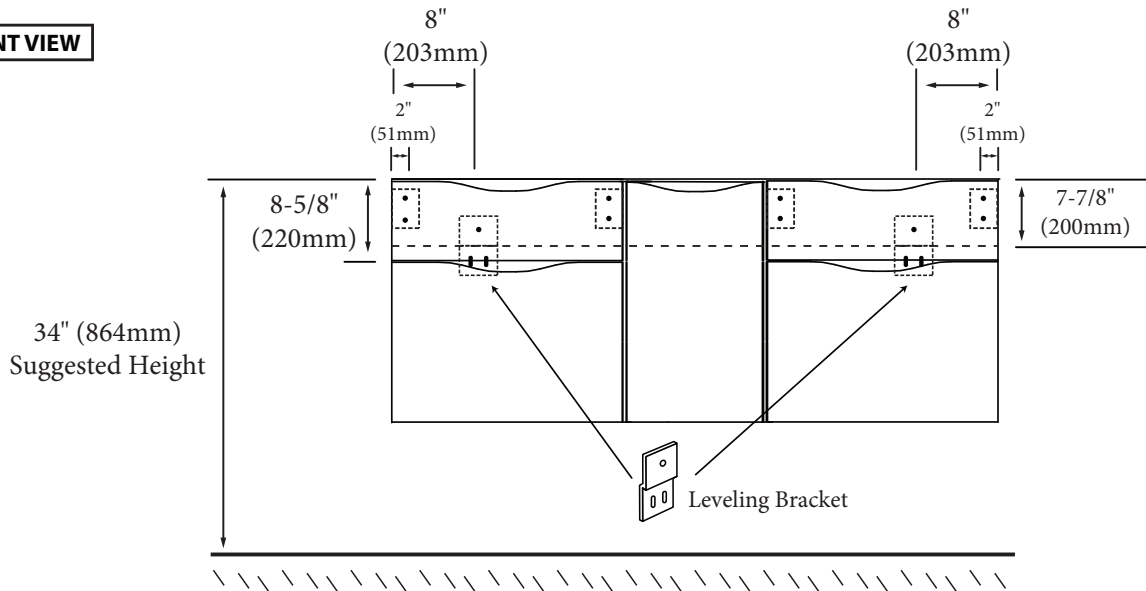


BACK VIEW



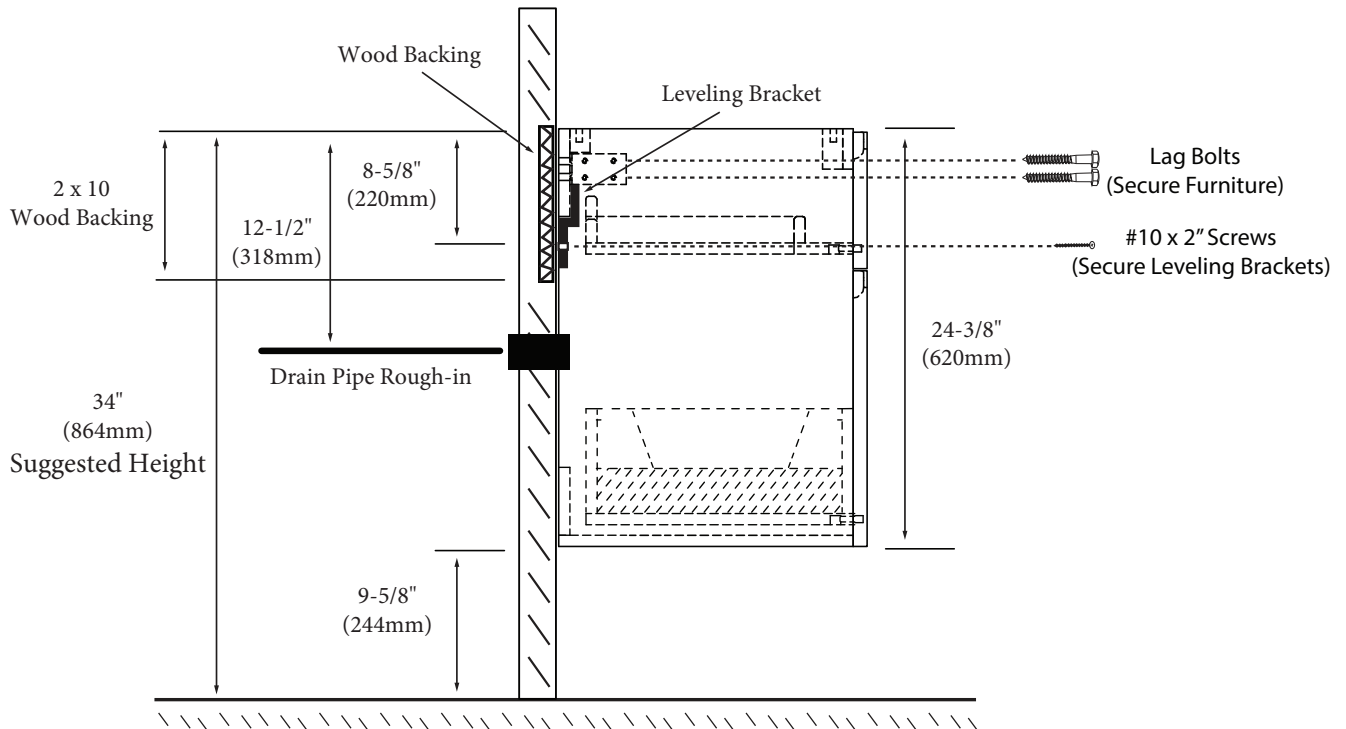
Bolano - 60" Double Bowl Specification & Installation Guide

FRONT VIEW



TYPICAL INSTALLATION






The typical dimensions shown will result in vanity cabinet height of 34" (864mm). Depending on the countertop selected, the total height will vary from 35-1/4" (895mm) to 36-1/2" (927mm). For above-counter vessels with typical heights between 4" and 6", it is suggested to lower the cabinet to 31" (785mm). If alternate heights are desired, adjust the rough-in and backing material heights using the dimensions provided.



Bolano - 60" Double Bowl

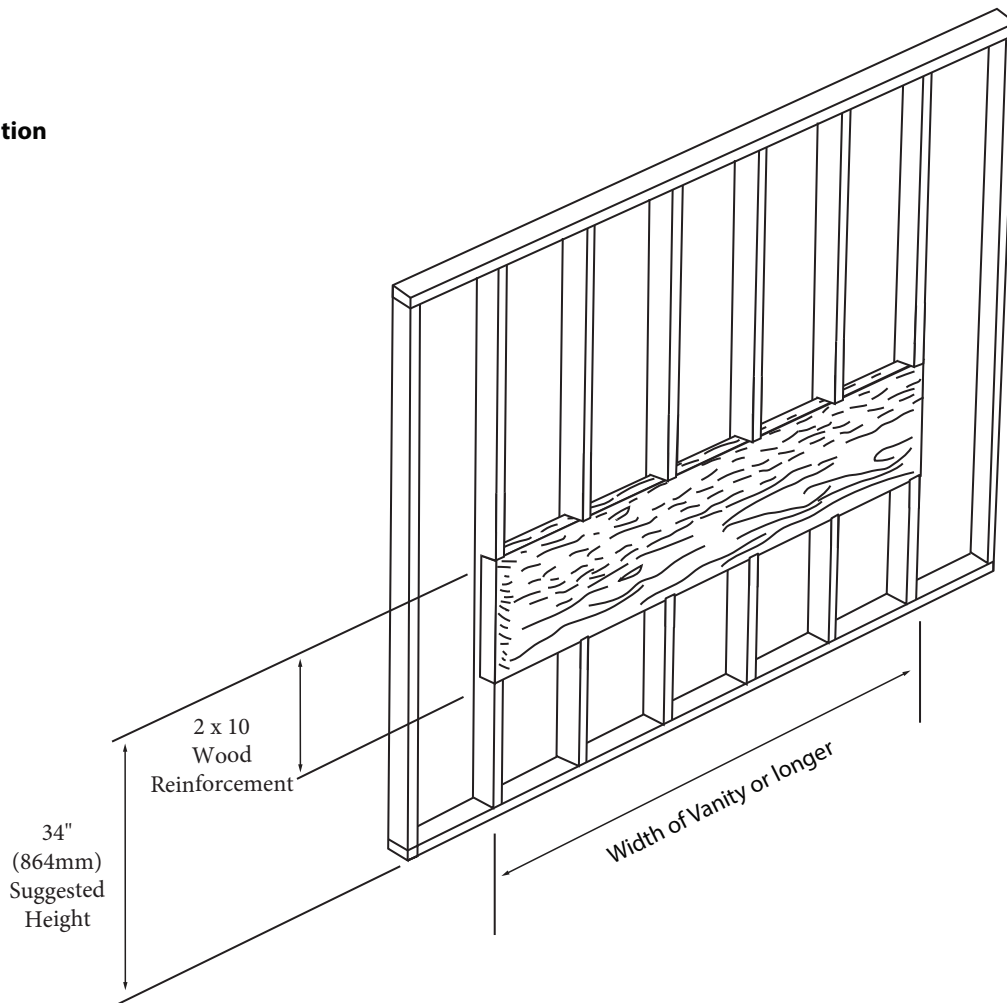
Specification & Installation Guide

INSTALLATION INSTRUCTIONS

Item	Leveling Bracket	#10 x 2" Screws	Anchors	Lag Bolt 5/16 x 2-1/2"	Silicone (not included)
Qty.	2	4	8	8	1
					

STEP 1

Wall Preparation

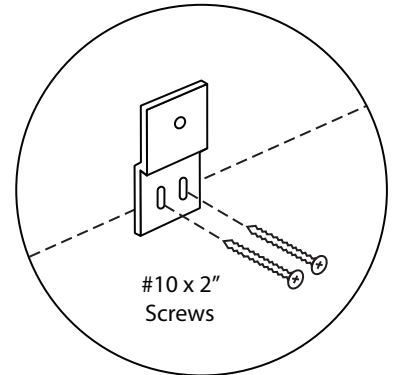
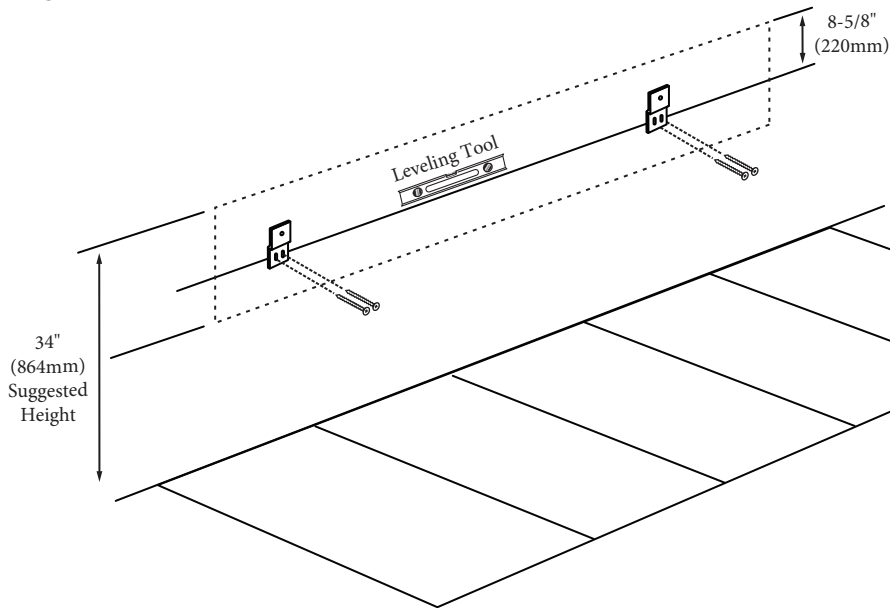


Bolano - 60" Double Bowl

Specification & Installation Guide

STEP 2

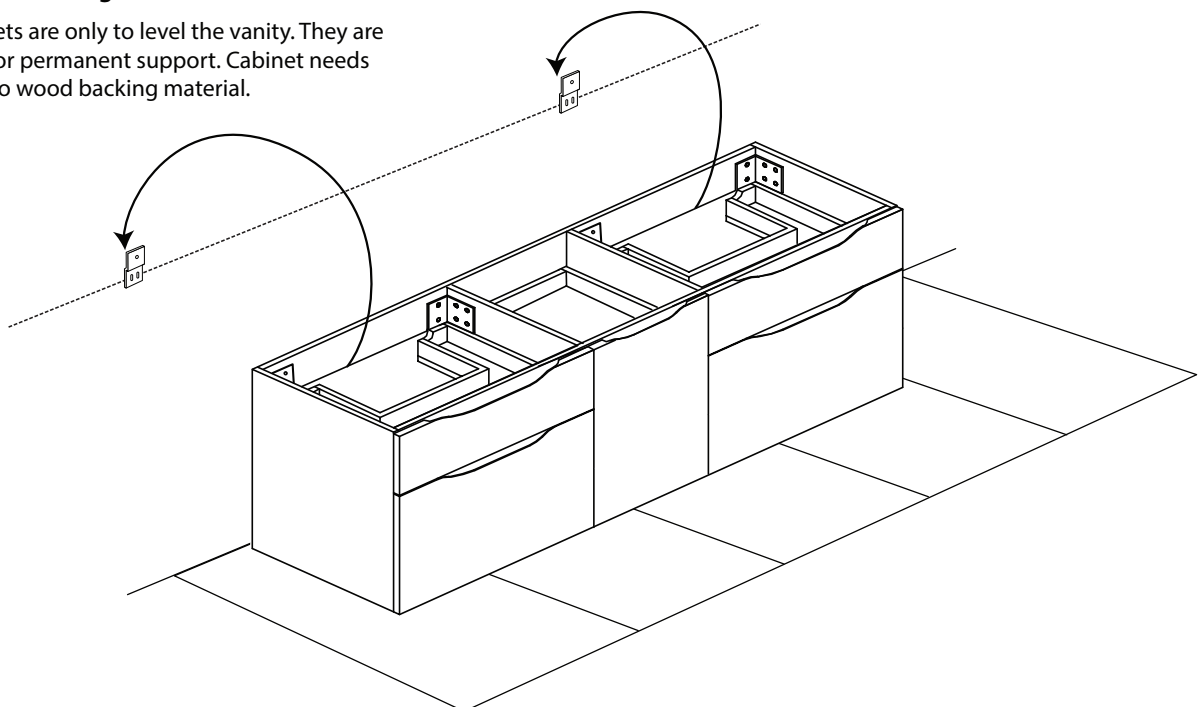
Install leveling bracket



STEP 3

Place vanity on leveling bracket

Leveling brackets are only to level the vanity. They are not designed for permanent support. Cabinet needs to be secured to wood backing material.

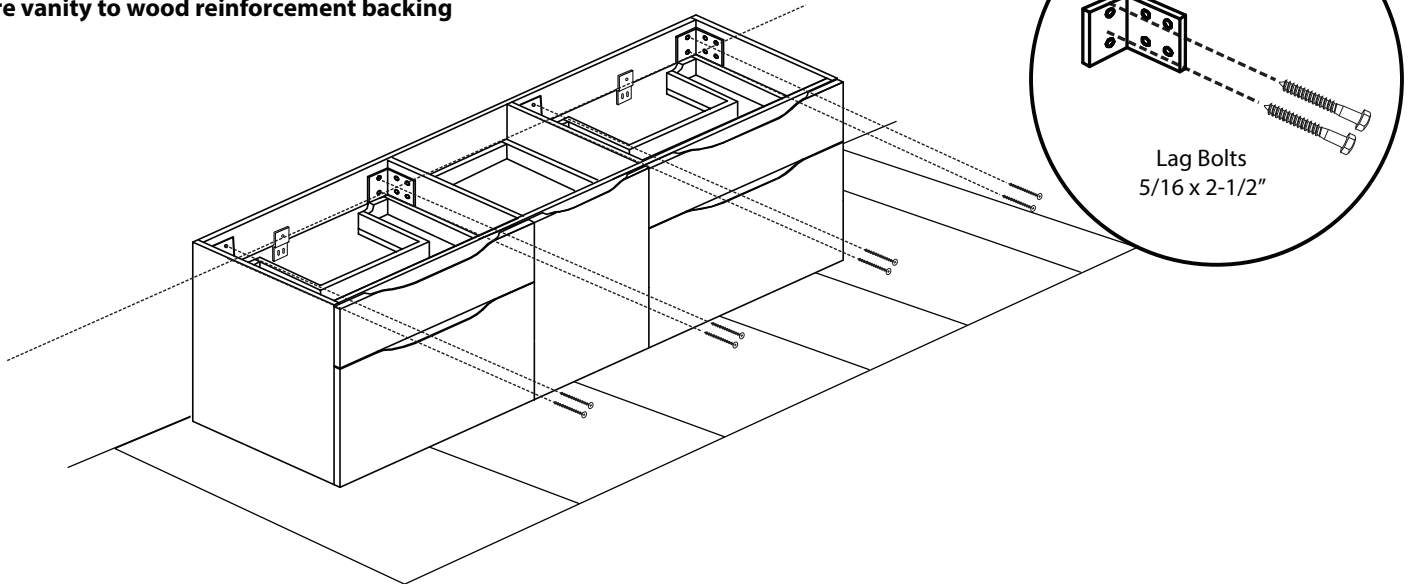


Bolano - 60" Double Bowl

Specification & Installation Guide

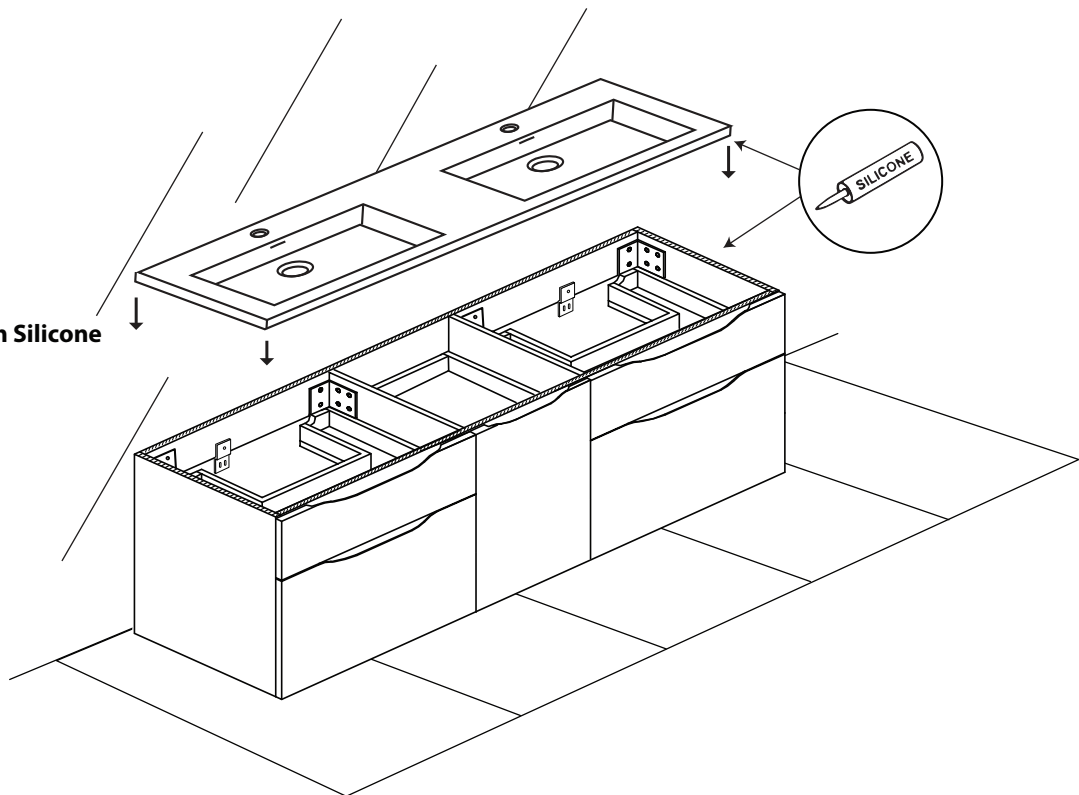
STEP 4

Secure vanity to wood reinforcement backing



STEP 5

Install countertop with Silicone



For clarification, please contact Madeli Customer Care at (800)-819-6988 or (305)-718-8817 Ext. 1
All dimensions are approximate and subject to standard tolerance. Specifications subject to change without prior notice.