

Urban - 30H x 36W Frameless Medicine Cabinet

Specification & Installation Guide

Features

- Wall hung 30"H x 36"W frameless medicine cabinet.
- Exterior and Interior Mirrors
- Cabinet size (x2): 29-15/16"(760mm)H x 5-1/2"(140mm)D x 35-7/16"(900mm)W
- Mirror size: 29-15/16"(760mm)H x 17-11/16"(449mm)W
- Furniture grade plywood layered with solid wood veneer and protected with several coats of polyurethane.
- Matching finish inside out
- Two soft-close doors with adjustable European Hardware.
- Four adjustable glass shelves
- Round magnifying mirror included
- Non-handed: Can be installed right or left hand.

Colors/Finishes

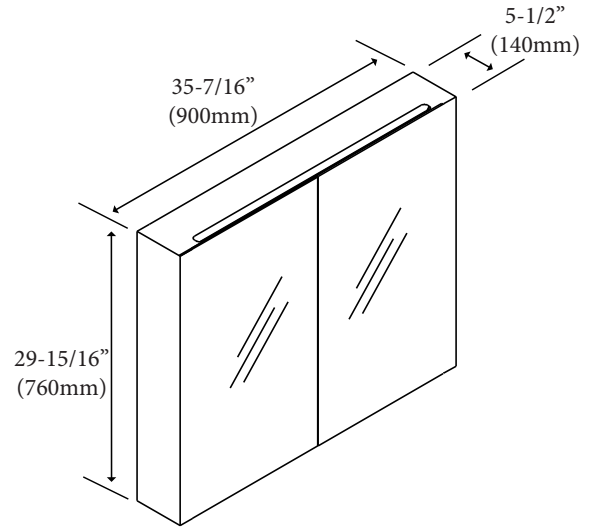
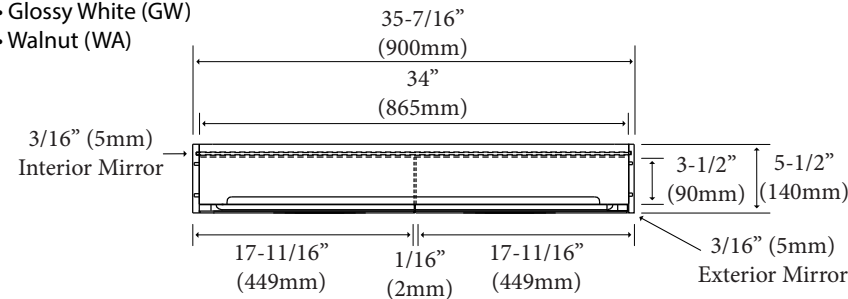
- Ash Grey (AG)
- Glossy White (GW)
- Walnut (WA)

Package Dimension

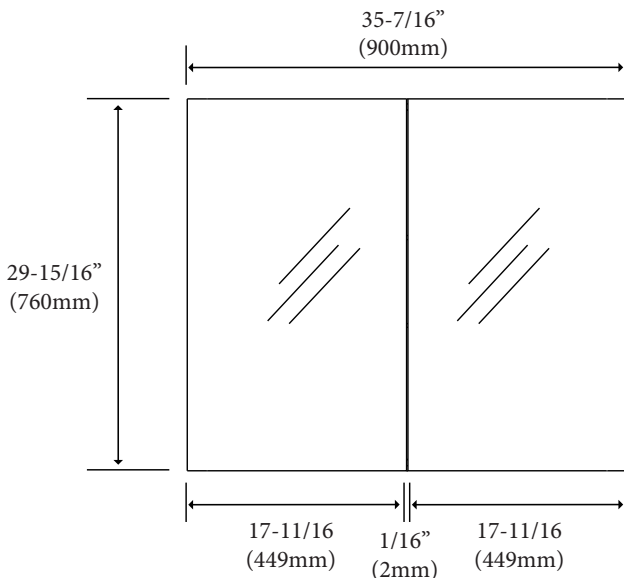
38-12/16" x 8-4/16" x 32-11/16"

Gross Weight

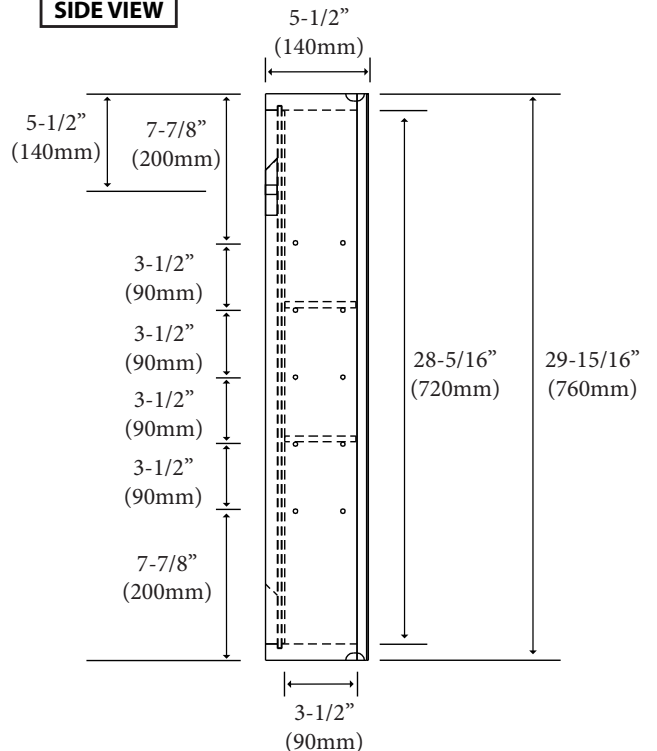
71.83lbs/32.65kgs



FRONT VIEW



SIDE VIEW



For clarification, please contact Madeli Customer Care at (800)-819-6988 or (305)-718-8817 Ext. 1

All dimensions are approximate and subject to standard tolerance. Specifications subject to change without prior notice.

Urban - 30H x 36W Frameless Medicine Cabinet Specification & Installation Guide

TYPICAL INSTALLATION

The typical dimensions shown reflect a medicine cabinet height of 78"(1981mm). If alternate heights are desired, adjust the height of the backing material and of the French Cleat.

