

Urban - 30H x 20W Frameless Medicine Cabinet

Specification & Installation Guide

Features

- Wall hung 30"H x 20"W frameless medicine cabinet.
- Exterior and Interior Mirror
- Cabinet size: 29-15/16"(760mm)H x 5-1/2"(140mm)D x 19-5/16"(490mm)W
- Mirror size: : 29-15/16"(760mm)H x 19-5/16"(490mm)W
- Furniture grade plywood layered with solid wood veneer and protected with several coats of polyurethane.
- Matching finish inside out
- One soft-close door with adjustable European Hardware
- Two adjustable glass shelves
- Non-handed. Can be installed right or left hand

Colors/Finishes

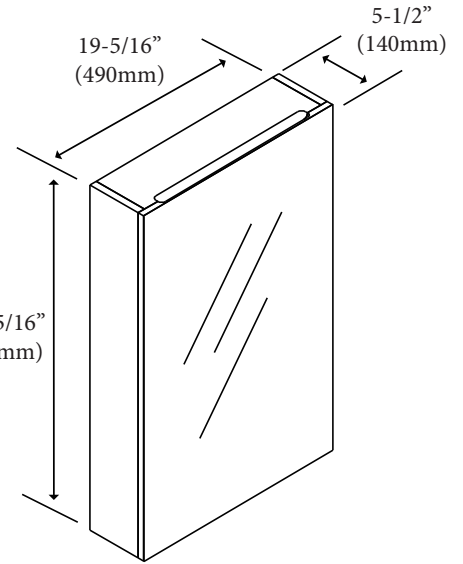
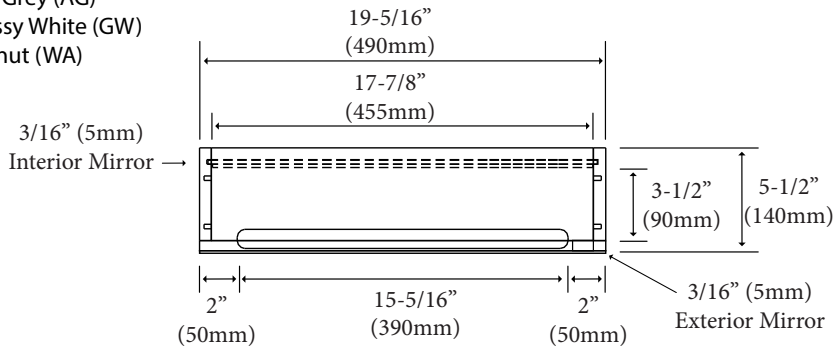
- Ash Grey (AG)
- Glossy White (GW)
- Walnut (WA)

Package Dimension

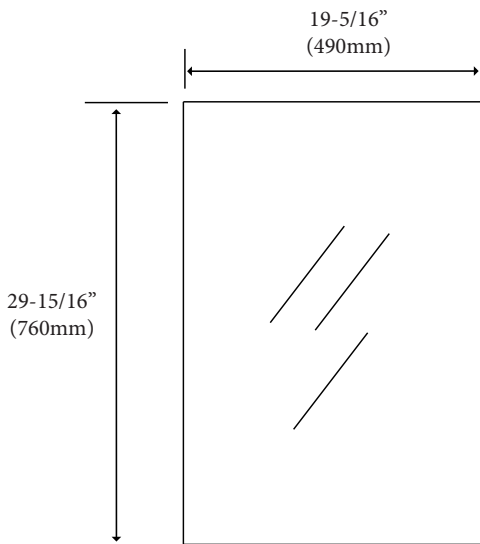
22-12/16" x 8-4/16" x 32-11/16"

Gross Weight

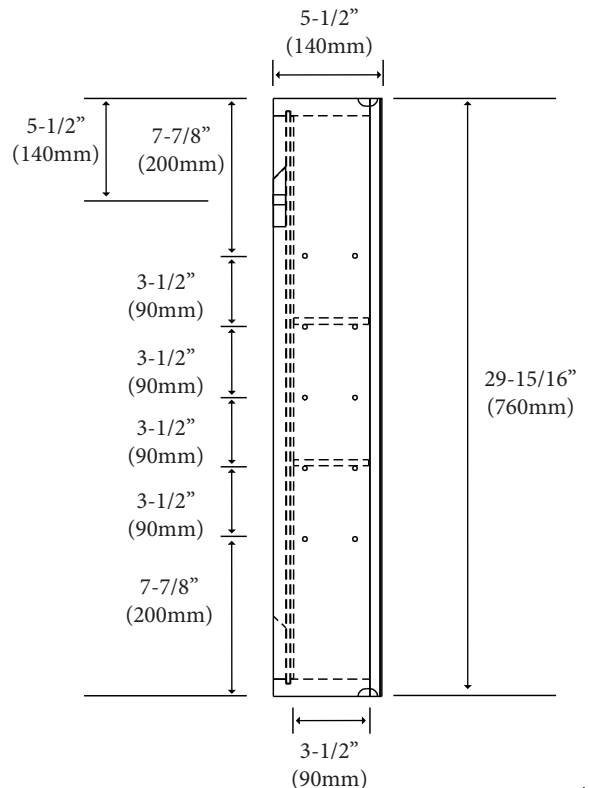
48.4lbs/22kgs



FRONT VIEW



SIDE VIEW



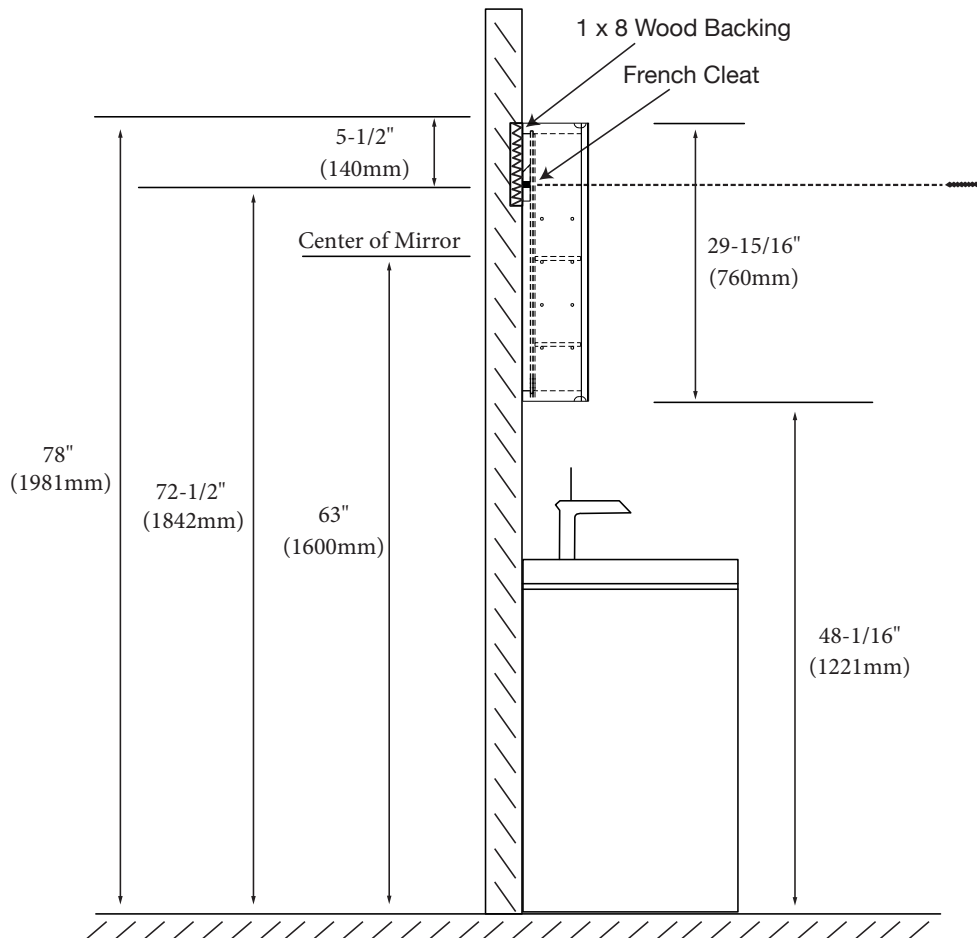
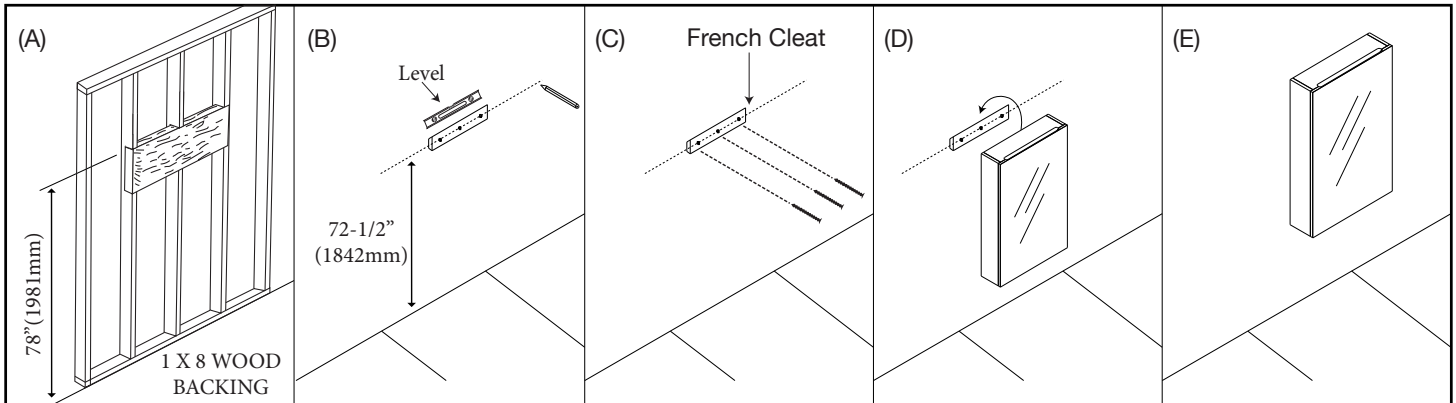
For clarification, please contact Madeli Customer Care at (800)-819-6988 or (305)-718-8817 Ext. 1
All dimensions are approximate and subject to standard tolerance. Specifications subject to change without prior notice.

Urban - 30H x 20W Frameless Medicine Cabinet

Specification & Installation Guide

TYPICAL INSTALLATION

The typical dimensions shown reflect a medicine cabinet height of 78" (1981mm). If alternate heights are desired, adjust the height of the backing material and of the French Cleat.



For clarification, please contact Madeli Customer Care at (800)-819-6988 or (305)-718-8817 Ext. 1

All dimensions are approximate and subject to standard tolerance. Specifications subject to change without prior notice.