

ContourTrenditional-20 Linen Cabinet - WALL HUNG

Specification & Installation Guide

Features

- Wall hung linen cabinet 20"(508mm)W x 18"(460mm)D x 71" (1803mm)H
- Construction Materials:
Solid and wood veneer colors: Bathroom Furniture grade plywood layered with solid wood veneer protected by polyurethane or finished with premium polyurethane solid color paints.
Natural Colors: Moisture-resistant wood composite with decorative veneer and state-of-the-art clear **PURglue™** for invisible seams with exceptional adhesion for a lifetime bond.
- 3 handle options: HY/HR/HP - See below for handle model numbers
- 1/8" interior mirror on top door
- Bottom cabinet: 1 interior tall drawer & 2 shelves
- Top cabinet:
 - 3 Shelves
 - Electrical outlets 120 VAC, 60HZ, 15A and USB ports
 - Hair dryer, hair straightener and hair brush holders
 - Cosmetic Tray Organizer
- Drawer Boxes:
 - Matching color for solid color units
 - Light grey for wood veneer units
 - Solid wood with dovetail joints for natural color units

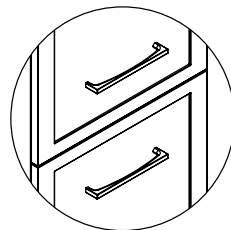
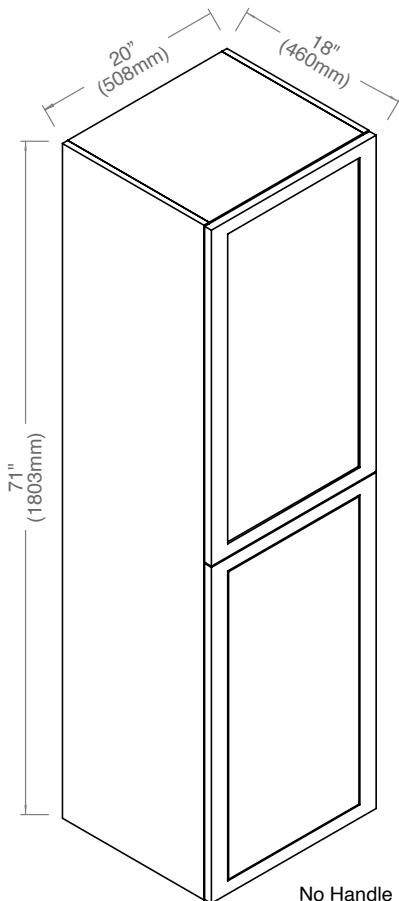
- Handle finish options: polished chrome (PC), brushed nickel (BN), polished nickel (PN), matte black (MB) and satin brass (SB)
- Cabinet fully assembled with legs to be assembled in the field.

Package dimension

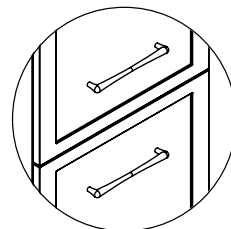
23"(584mm) x 21"(533mm) x 73"(1854mm)

Gross weight

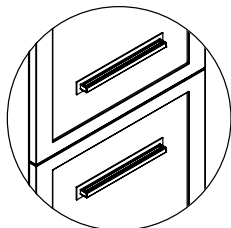
120 lbs / 55 kgs



HY Handle



HR Handle



HP Handle

No Handle (NP)

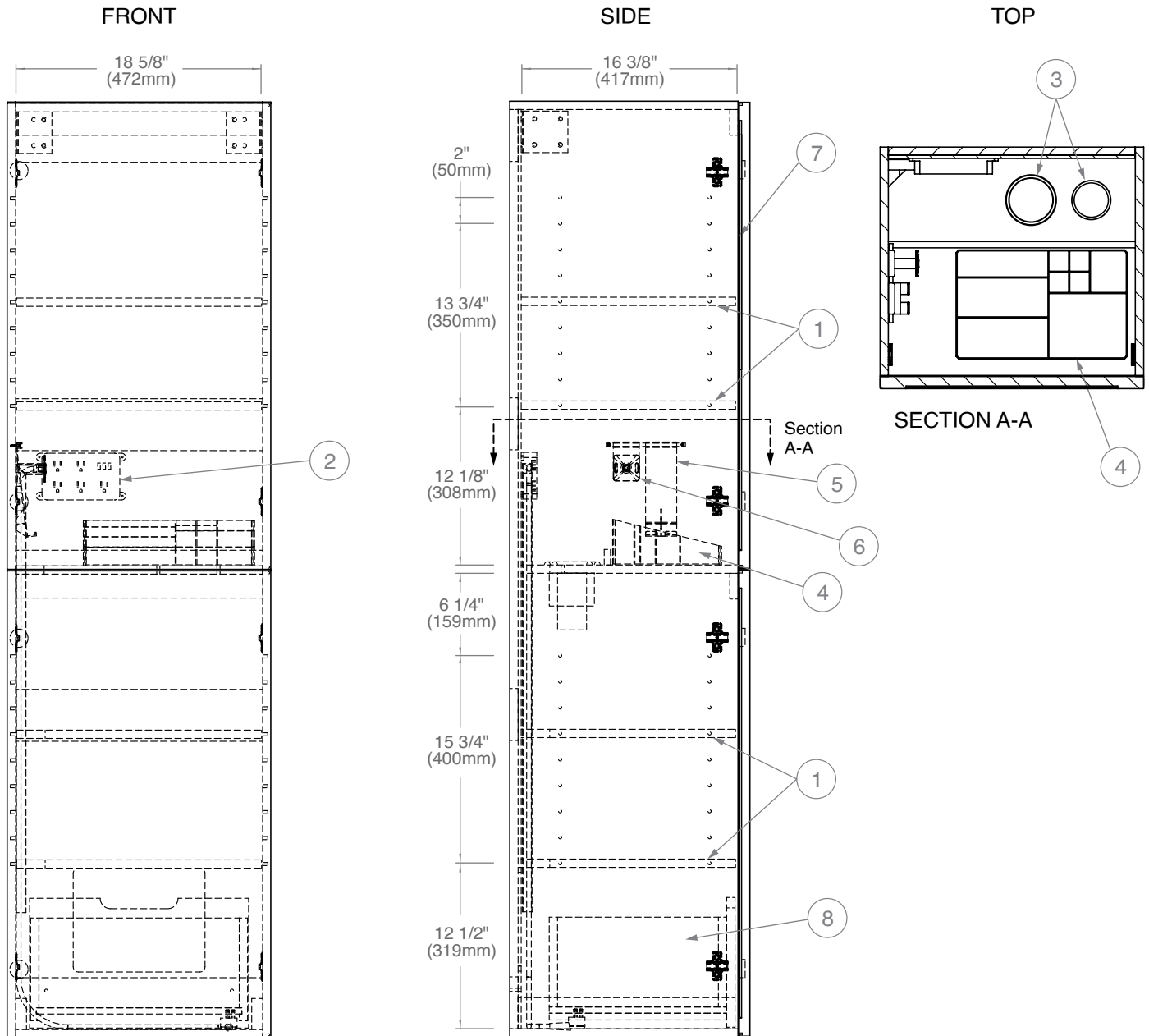


For clarification, please contact Madeli Customer Care at (800) 819-6988 Ext.1 or service@madeli.com
 All dimensions are approximate and subject to standard tolerance. Specifications subject to change without prior notice.

01 | Page

ContourTrenditional-20 Linen Cabinet - WALL HUNG

Specification & Installation Guide



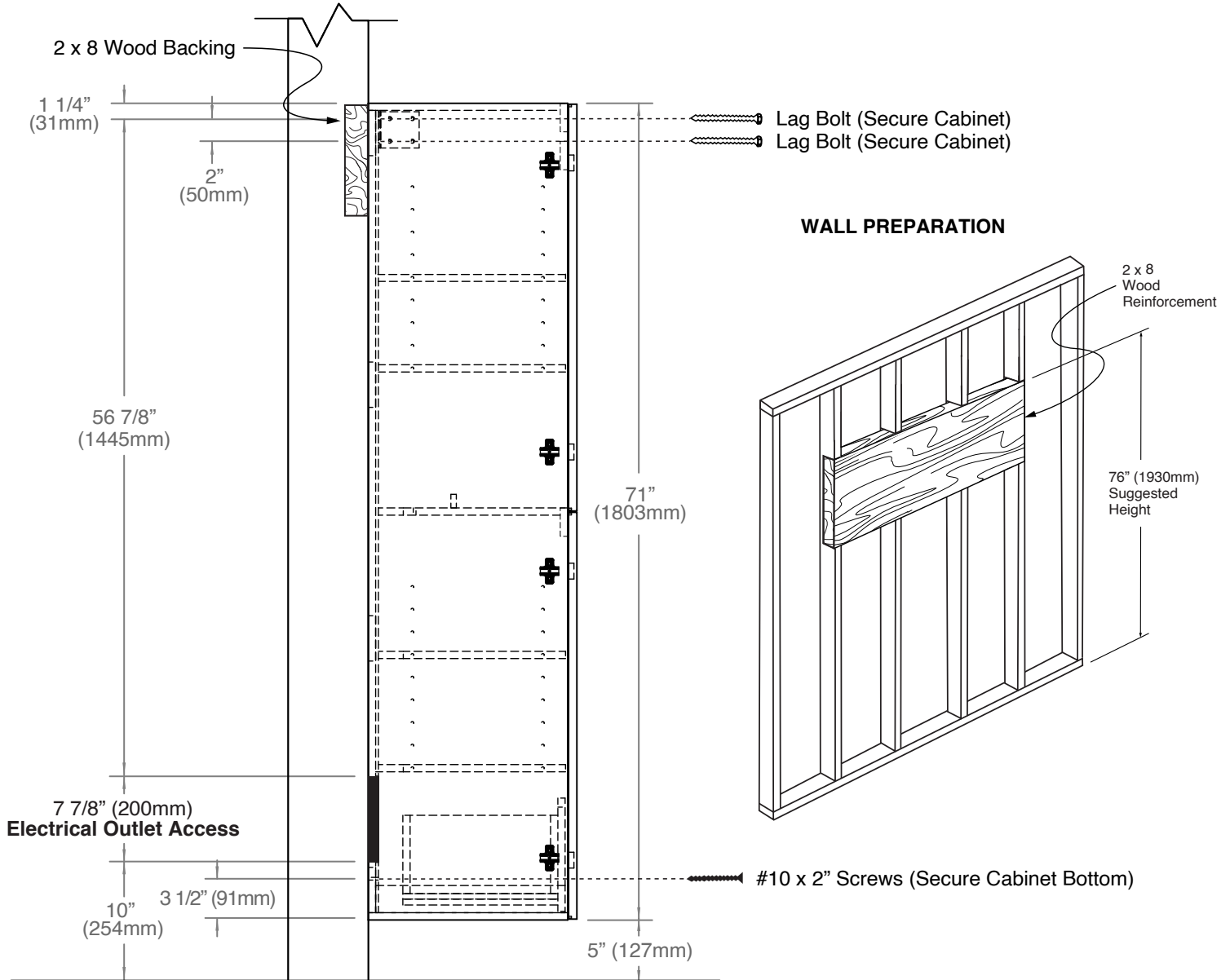
- 1) Adjustable shelves
- 2) Electrical outlets 120 VAC, 60HZ, 15A and USB ports
- 3) Hair dryer, hair straightener and hair brush holders
- 4) Cosmetic tray organizer
- 5) Phone holder
- 6) Cord organizer
- 7) Mirror (on door panel)
- 8) Interior tall drawer

For clarification, please contact Madeli Customer Care at (800) 819-6988 Ext.1 or service@madeli.com
All dimensions are approximate and subject to standard tolerance. Specifications subject to change without prior notice.

ContourTrenditional-20 Linen Cabinet - WALL HUNG

Specification & Installation Guide

TYPICAL INSTALLATION



ACCESSORIES FOR INSTALLATION



Anchors
x6



#10 x 2"
Screws
x2



Lag Bolts
5/16 x 1 1/2"
x4

For clarification, please contact Madeli Customer Care at (800) 819-6988 Ext.1 or service@madeli.com
All dimensions are approximate and subject to standard tolerance. Specifications subject to change without prior notice.

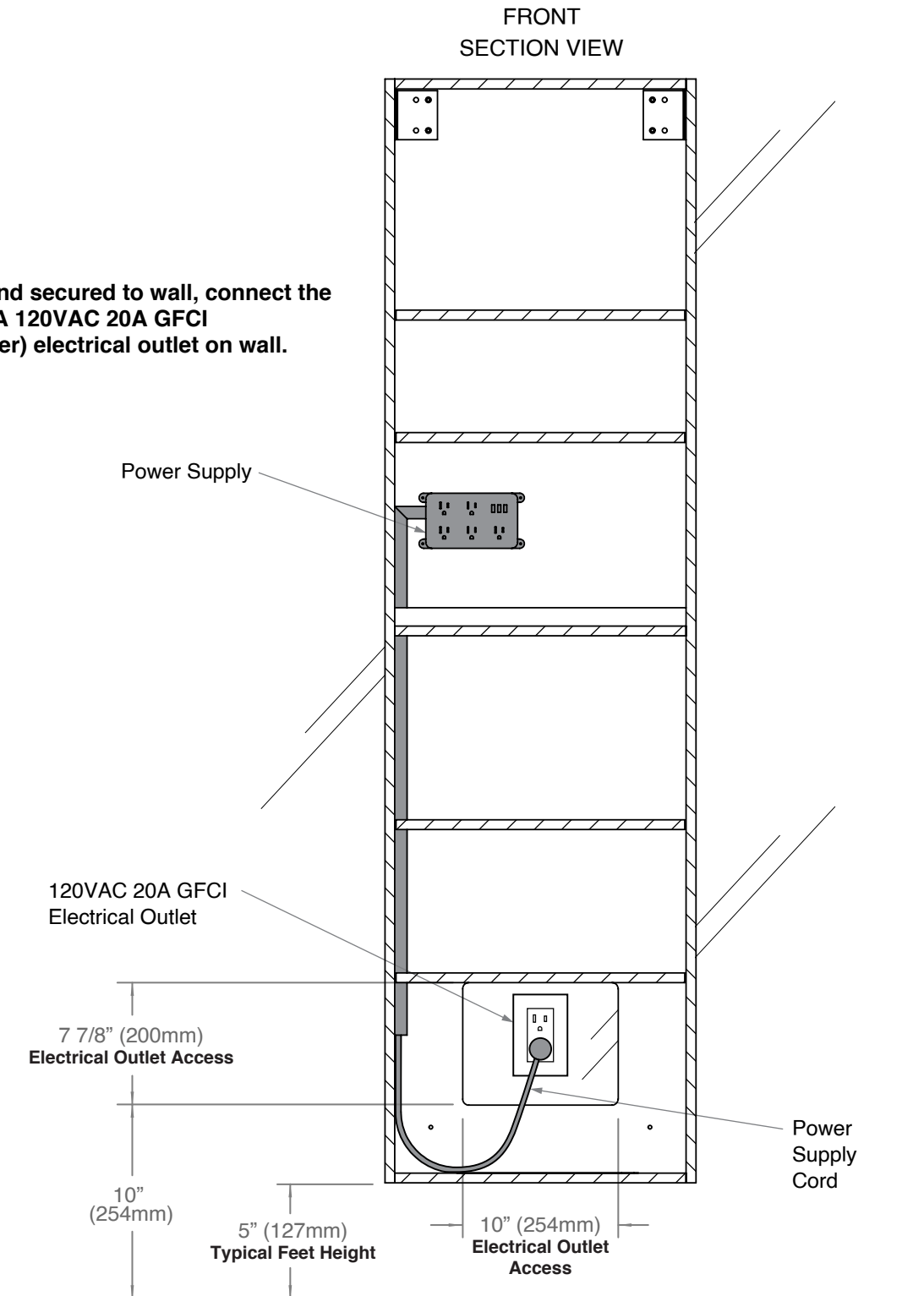
03 | Page

ContourTrenditional-20 Linen Cabinet - WALL HUNG

Specification & Installation Guide

ELECTRICAL CONNECTION

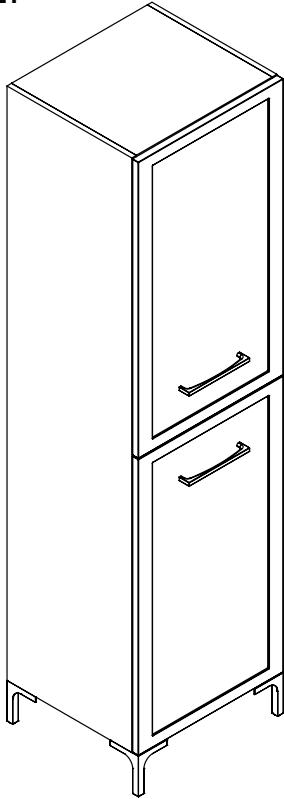
After the cabinet is mounted and secured to wall, connect the power supply cord to a Class A 120VAC 20A GFCI (Ground Fault Circuit Interrupter) electrical outlet on wall.



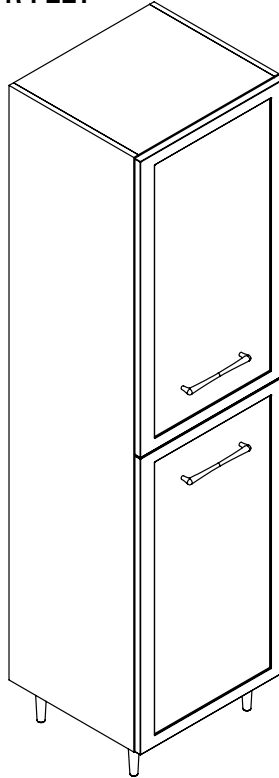
PortraitTrenditional-20 Linen Cabinet - FREE STANDING

Specification & Installation Guide

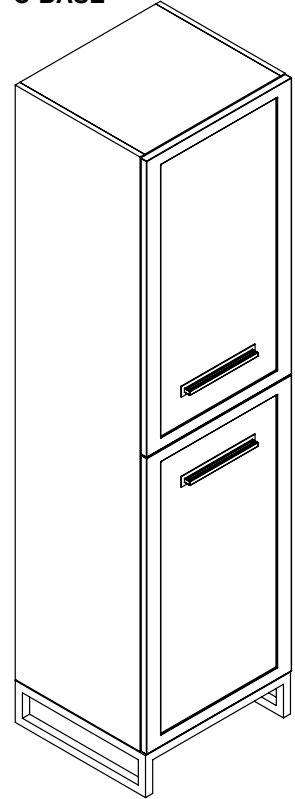
Y-FEET



R-FEET



C-BASE



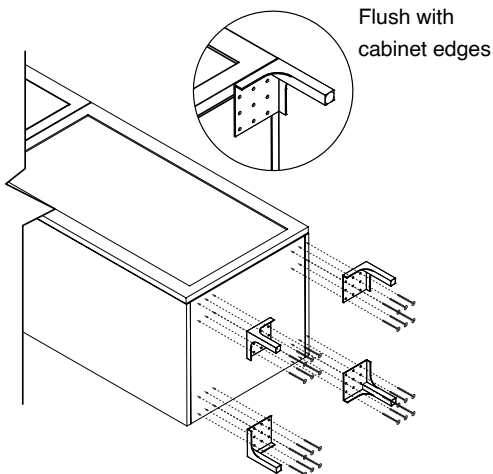
FEET/BASE INSTALLATION

1. Lay the cabinet on a table.
2. Mark screw locations using legs/base as template.
3. Pre-drill holes with 5/64", 3/32" or 7/64" drill bit about 1/2" deep.
4. Using provided screws, fix legs/base to cabinet as shown below.

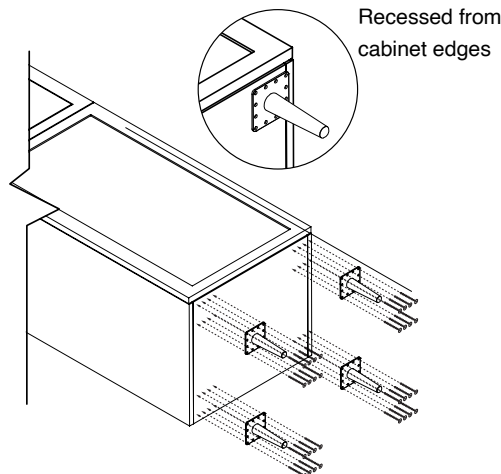
If using a regular battery drill, set clutch to minimum and increase setting as needed.

DO NOT OVER TIGHTEN THE SCREWS. DOING SO WILL SPLIT THE WOOD SIDE PANEL.

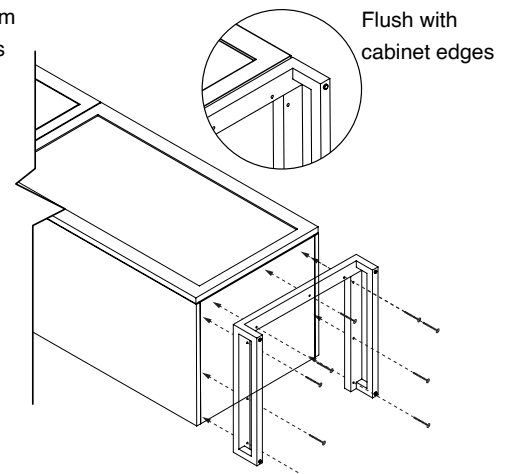
Y-FEET INSTALLATION



R-FEET INSTALLATION



C-BASE INSTALLATION

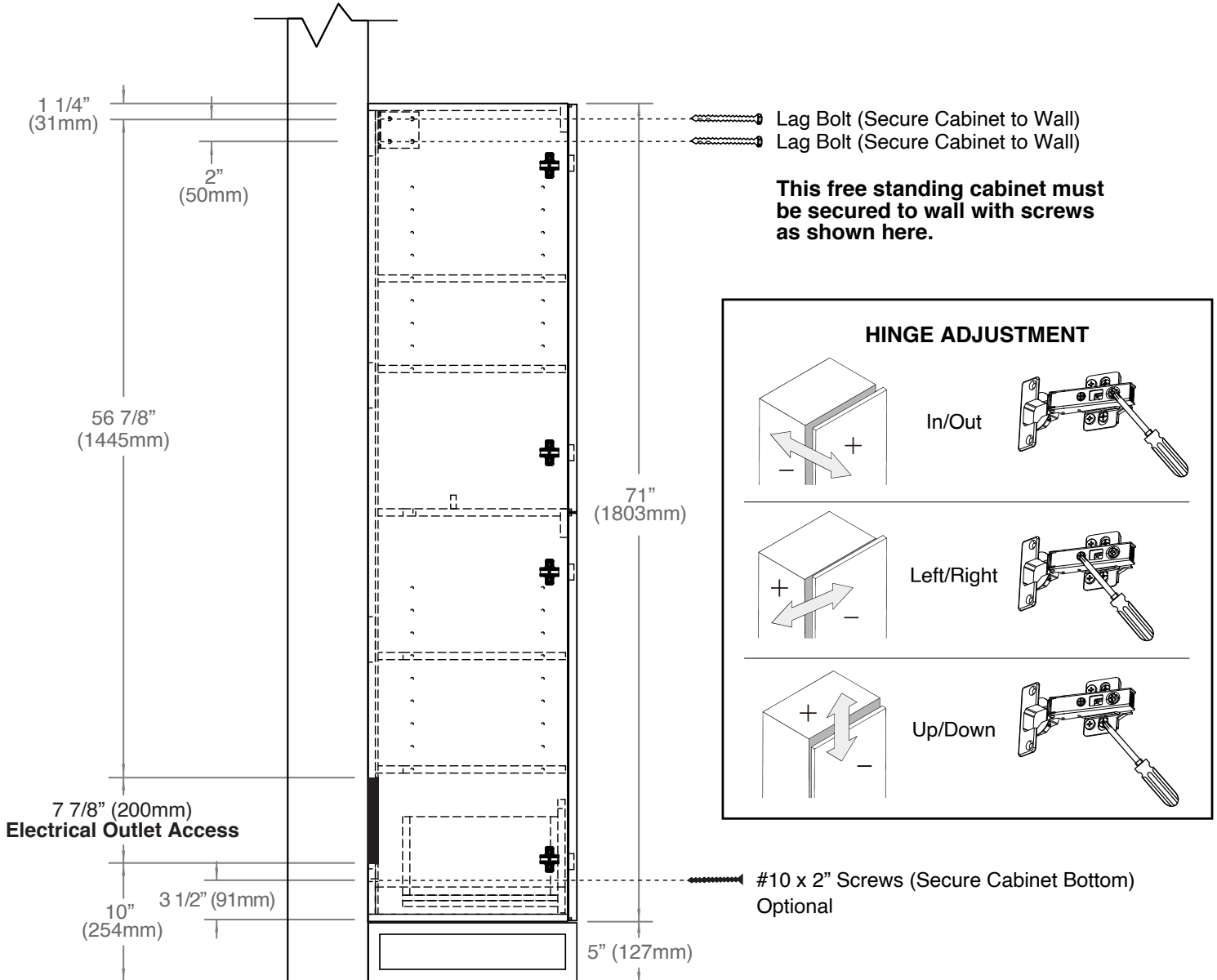


For clarification, please contact Madeli Customer Care at (800) 819-6988 Ext.1 or service@madeli.com
All dimensions are approximate and subject to standard tolerance. Specifications subject to change without prior notice.

PortraitTrenditional-20 Linen Cabinet - FREE STANDING

Specification & Installation Guide

TYPICAL INSTALLATION



ELECTRICAL CONNECTION

After the cabinet is mounted and secured to wall, connect the power supply plug to a Class A 120VAC 20A GFCI (Ground Fault Circuit Interrupter) electrical outlet on wall as shown on page 4.