

## Omni-20/Urban-20 Linen Cabinet - WALL HUNG

## Specification & Installation Guide

### Features

- Wall hung linen cabinet 20"(508mm)W x 18"(460mm)D x 71" (1803mm)H
- Construction Materials:  
Solid and wood veneer colors: Bathroom Furniture grade plywood layered with solid wood veneer protected by polyurethane or finished with premium polyurethane solid color paints.  
Natural Colors: Moisture-resistant wood composite with decorative veneer and state-of-the-art clear **PURglue™** for invisible seams with exceptional adhesion for a lifetime bond.
- 4 handle options: NP/H9/HP/H3 - See below for handle model numbers
- 1/8" interior mirror on top door
- Bottom cabinet: 1 interior tall drawer & 2 shelves
- Top cabinet:
  - 3 Shelves
  - Electrical outlets 120 VAC, 60HZ, 15A and USB ports
  - Hair dryer, hair straightener and hair brush holders
  - Cosmetic Tray Organizer
- Drawer Boxes:
  - Matching color for solid color units
  - Light grey for wood veneer units
  - Solid wood with dovetail joints for natural color units

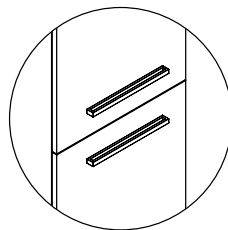
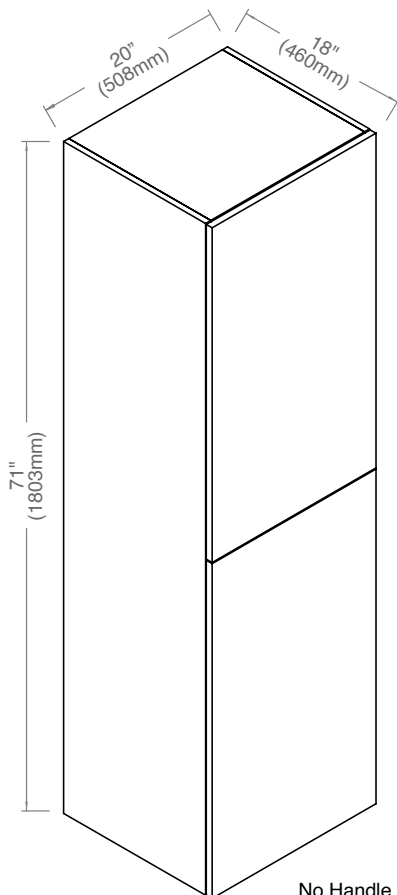
- Handle finish options: polished chrome (PC), brushed nickel (BN), polished nickel (PN), matte black (MB) and satin brass (SB)
- Cabinet fully assembled with legs to be assembled in the field.

### Package dimension

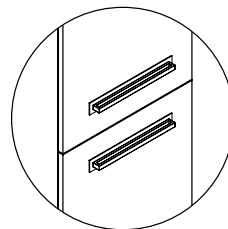
23"(584mm) x 21"(533mm) x 73"(1854mm)

### Gross weight

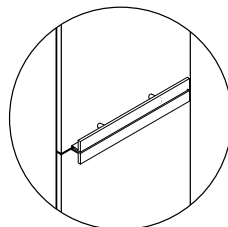
120 lbs / 55 kgs



H9 Handle



HP Handle



H3 Handle (Urban-20)

No Handle (NP)

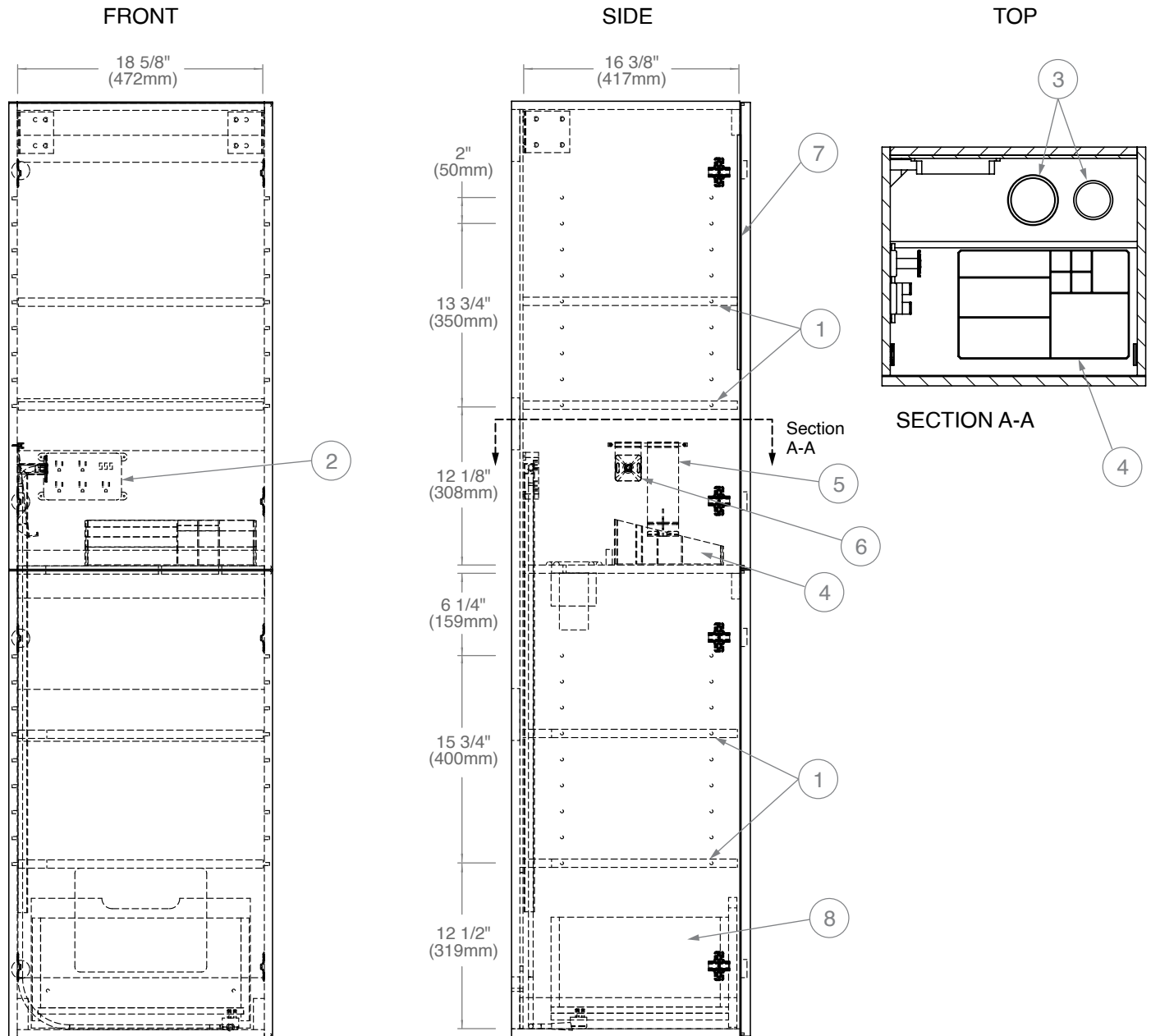


For clarification, please contact Madeli Customer Care at (800) 819-6988 Ext.1 or [service@madeli.com](mailto:service@madeli.com)

All dimensions are approximate and subject to standard tolerance. Specifications subject to change without prior notice.

## Omni-20/Urban-20 Linen Cabinet - WALL HUNG

## Specification & Installation Guide



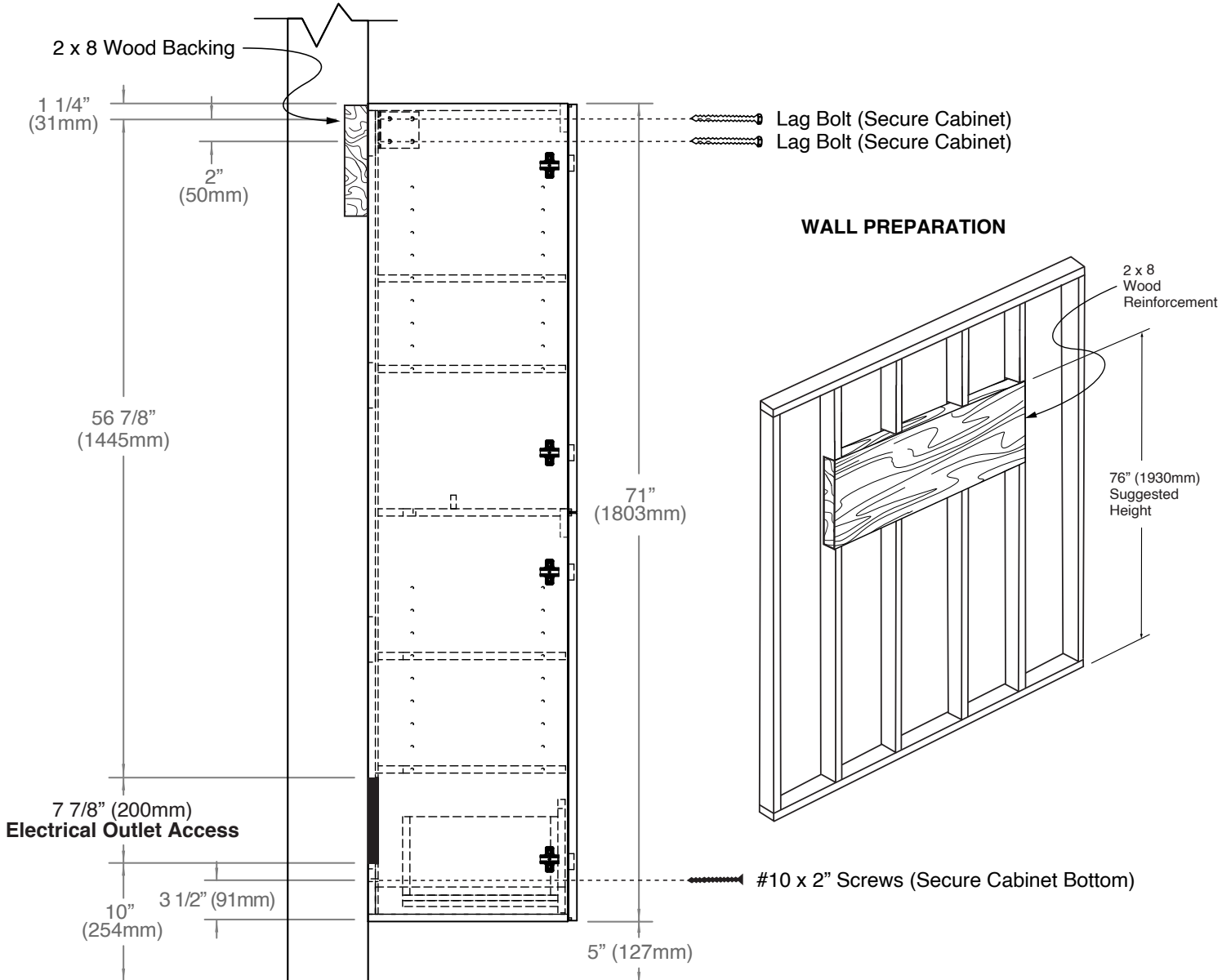
- |   |                           |
|---|---------------------------|
| 1) Adjustable shelves                                   | 5) Phone holder           |
| 2) Electrical outlets 120 VAC, 60HZ, 15A and USB ports  | 6) Cord organizer         |
| 3) Hair dryer, hair straightener and hair brush holders | 7) Mirror (on door panel) |
| 4) Cosmetic tray organizer                              | 8) Interior tall drawer   |

For clarification, please contact Madeli Customer Care at (800) 819-6988 Ext.1 or [service@madeli.com](mailto:service@madeli.com)  
All dimensions are approximate and subject to standard tolerance. Specifications subject to change without prior notice.

## Omni-20/Urban-20 Linen Cabinet - WALL HUNG

## Specification & Installation Guide

### TYPICAL INSTALLATION



### ACCESSORIES FOR INSTALLATION



Anchors  
x6



#10 x 2"  
Screws  
x2



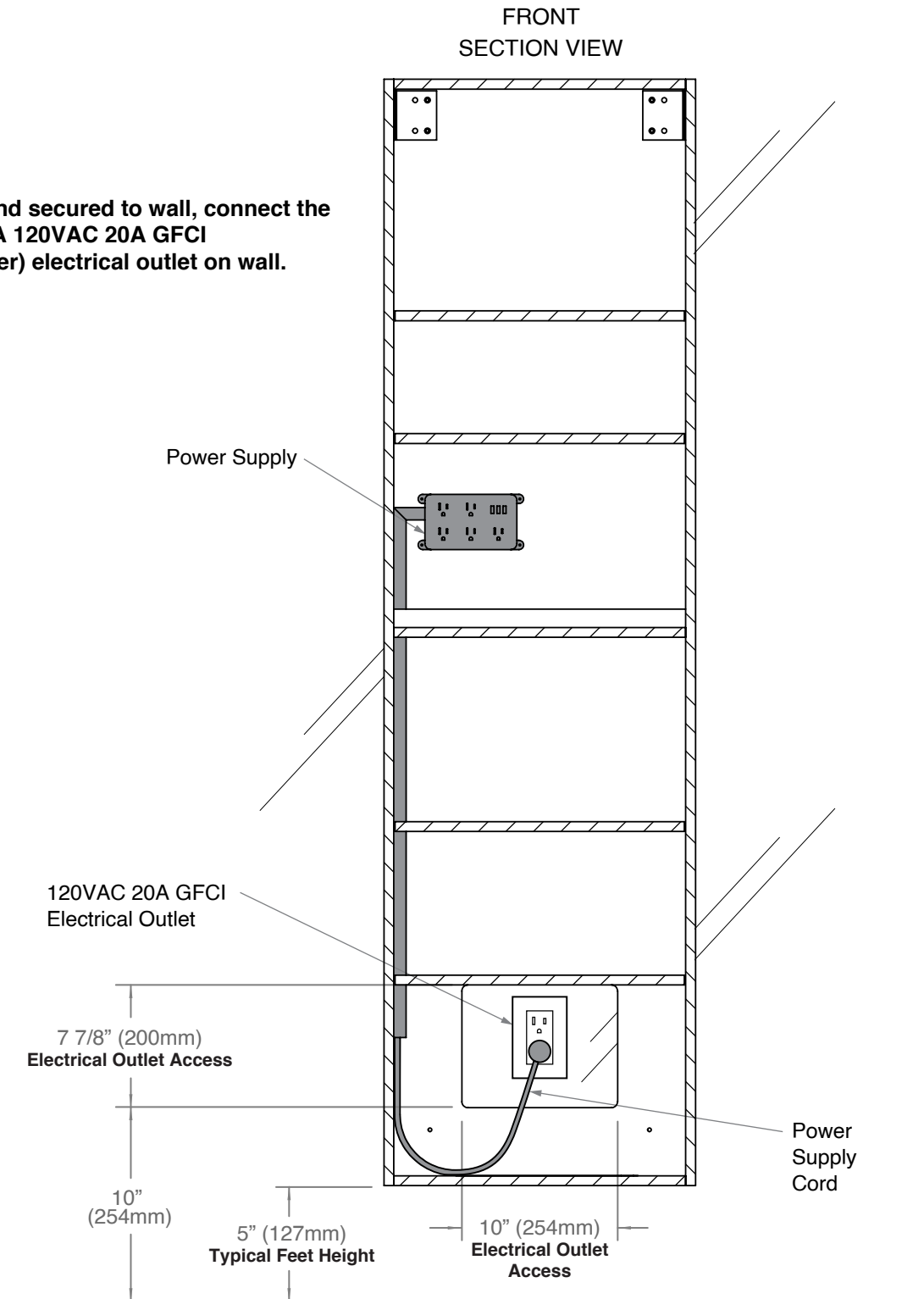
Lag Bolts  
5/16 x 1 1/2"  
x4

## Omni-20/Urban-20 Linen Cabinet - WALL HUNG

## Specification & Installation Guide

### ELECTRICAL CONNECTION

After the cabinet is mounted and secured to wall, connect the power supply cord to a Class A 120VAC 20A GFCI (Ground Fault Circuit Interrupter) electrical outlet on wall.



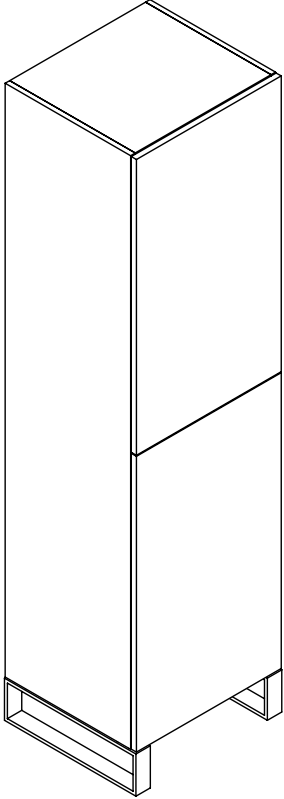
For clarification, please contact Madeli Customer Care at (800) 819-6988 Ext.1 or [service@madeli.com](mailto:service@madeli.com)  
All dimensions are approximate and subject to standard tolerance. Specifications subject to change without prior notice.

04 | Page

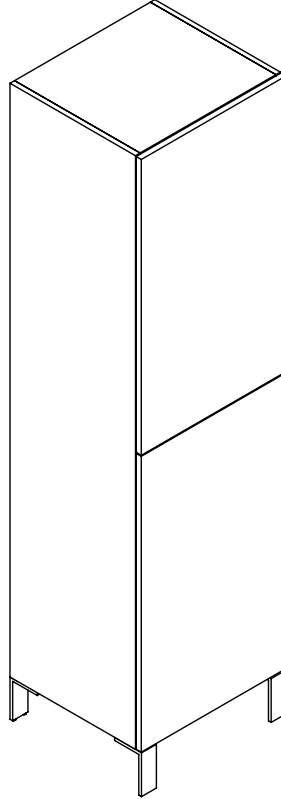
## Savvy-20/Soho-20 Linen Cabinet - FREE STANDING

## Specification & Installation Guide

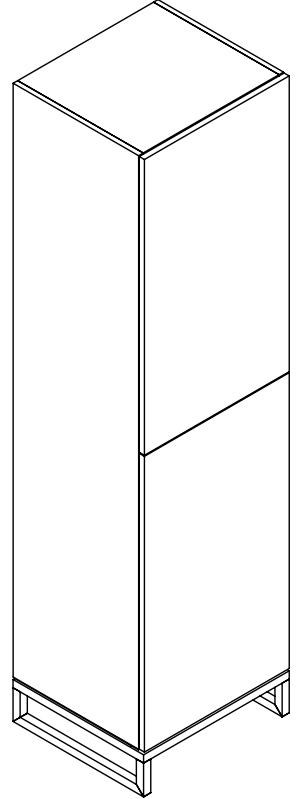
S-FEET



L-FEET



C-BASE



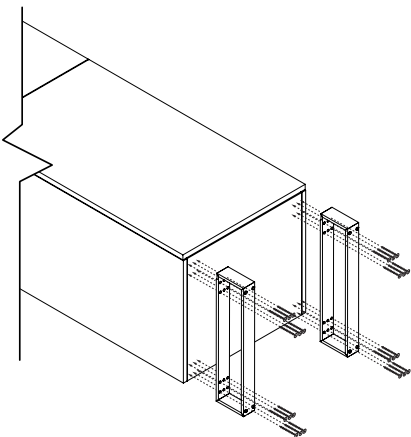
### FEET/BASE INSTALLATION

1. Lay the cabinet on a table.
2. Mark screw locations using legs/base as template.
3. Pre-drill holes with 5/64", 3/32" or 7/64" drill bit about 1/2" deep.
4. Using provided screws, fix legs/base to cabinet as shown below.

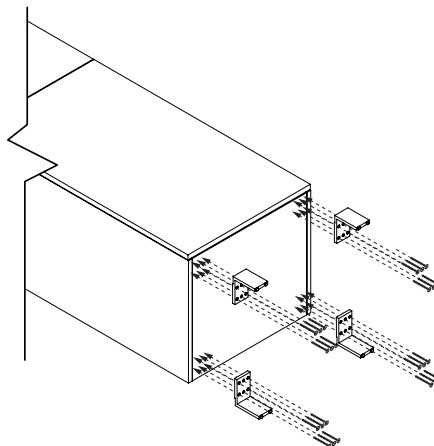
If using a regular battery drill, set clutch to minimum and increase setting as needed.

**DO NOT OVER TIGHTEN THE SCREWS. DOING SO WILL SPLIT THE WOOD SIDE PANEL.**

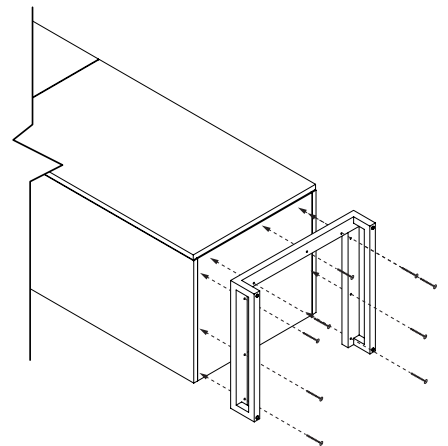
### S-FEET INSTALLATION



### L-FEET INSTALLATION



### C-BASE INSTALLATION



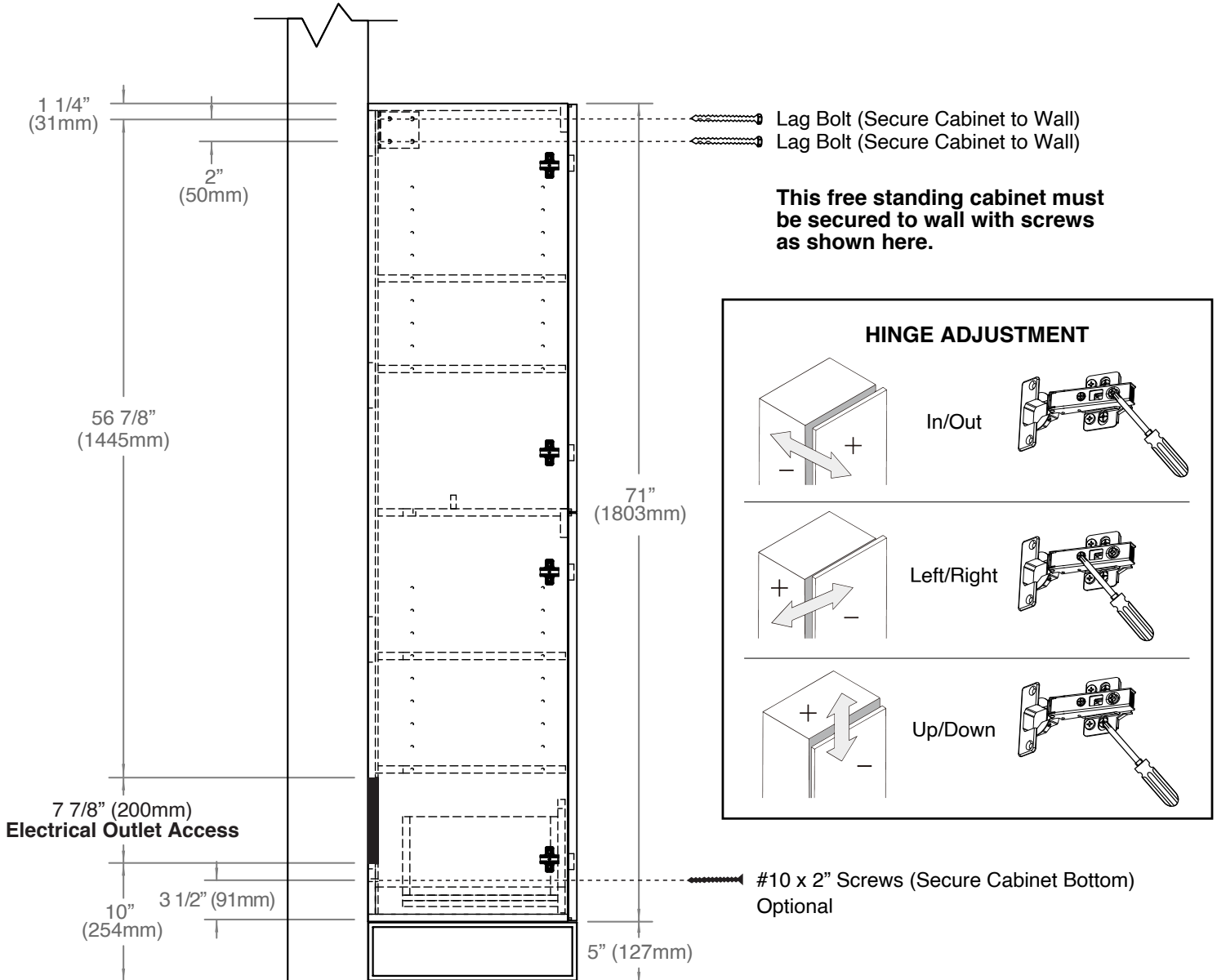
For clarification, please contact Madeli Customer Care at (800) 819-6988 Ext.1 or [service@madeli.com](mailto:service@madeli.com)  
All dimensions are approximate and subject to standard tolerance. Specifications subject to change without prior notice.

05 | Page

## Savvy-20/Soho-20 Linen Cabinet - FREE STANDING

## Specification & Installation Guide

### TYPICAL INSTALLATION



### ELECTRICAL CONNECTION

After the cabinet is mounted and secured to wall, connect the power supply plug to a Class A 120VAC 20A GFCI (Ground Fault Circuit Interrupter) electrical outlet on wall as shown on page 4.