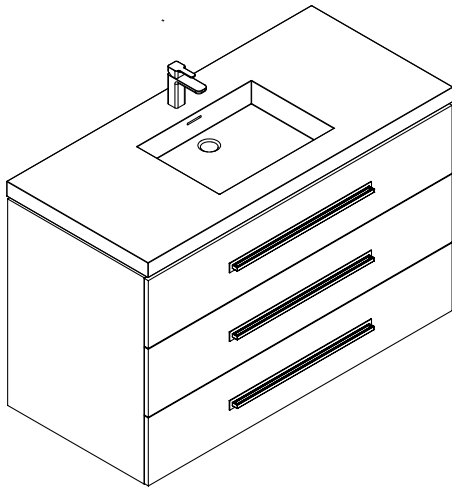


Specifications and Installation Guide

B820-Epic Wall Hung Vanity Collection

Models

- B820-24-002-XX
- B820-30-002-XX
- B820-36-002-XX
- B820-42-002-XX
- B820-48C-002-XX
- B820-48D-002-XX
- B820-60C-002-XX
- B820-60D-002-XX
- B820-72D-002-XX



B830-Icon Free Standing Vanity Collection

- B830-24-001-XX
- B830-30-001-XX
- B830-36-001-XX
- B830-42-001-XX
- B830-48C-001-XX
- B830-48D-001-XX
- B830-60C-001-XX
- B830-60D-001-XX
- B830-72D-001-XX

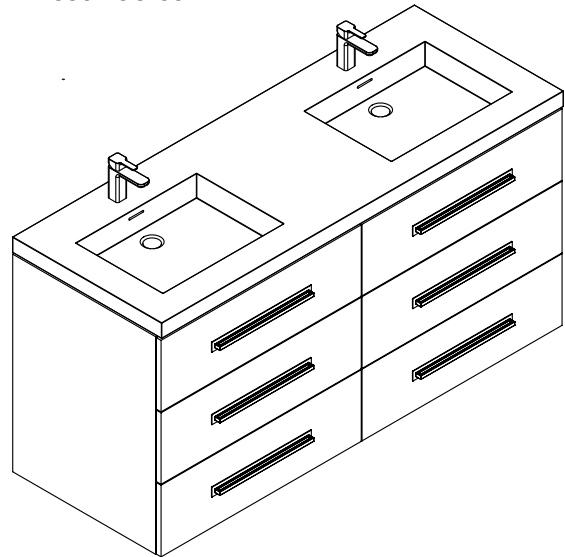


Table of Contents

	Page / Page
Specifications 24/30/36/42/48C.....	2
Specifications 48D.....	3
Specifications 60C.....	4
Specifications 60D/72D.....	5
Typical Installation: Wall Hung /B820-24/30/36/42/48C/48D/60D/72D-Epic.....	6
Typical Installation: Wall Hung /B820-60C-Epic.....	7
Installation Steps: Wall Hung /B820-Epic.....	8-9
Feet/Base Installation: Free Standing /B830-Icon.....	10
Typical Installation: Free Standing /B830-24/30/36/42/48C/48D/60D/72D-Icon.....	11
Typical Installation: Free Standing /B830-60C-Icon.....	12

For clarification, please contact Madeli Customer Care at (800) 819-6988 Ext.1 or service@madeli.com
 Pour plus de précisions, veuillez contacter le service client Madeli au (800) 819-6988 Ext.1 ou service@madeli.com

Epic/Icon - 24"/30"/36"/42"/48" - Single Bowl

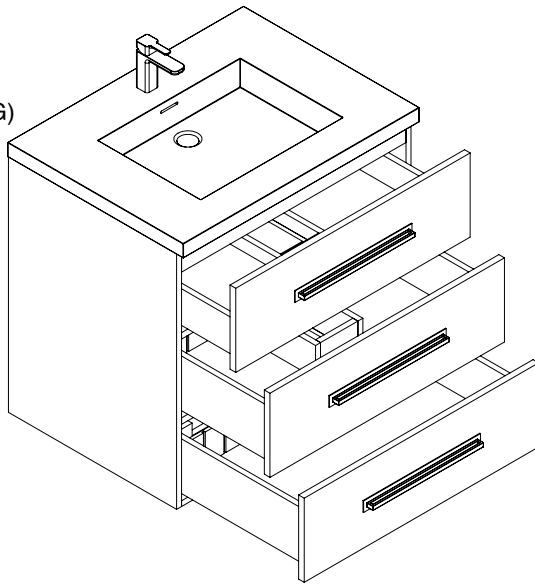
Cabinet Specifications

Features

- Wall hung vanity
- Bathroom Furniture grade plywood layered with solid wood veneer protected by polyurethane or finished with premium polyurethane solid color paints
- Matching finish inside out
- Three fully adjustable drawers with full-extension soft-close European hardware.
- Middle and Bottom drawers include adjustable tempered glass dividers
- Handle finish options: polished chrome (PC), brushed nickel (BN), polished nickel (PN), matte black (MB) and satin brass (SB)

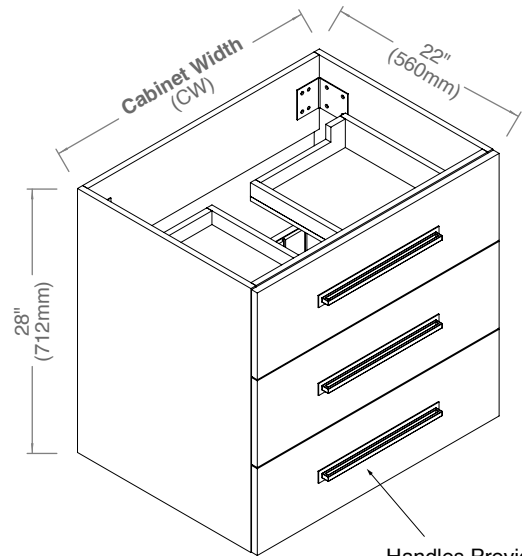
Colors/Finishes

- Sapphire (SA)
- Studio Grey (TG)
- Walnut (WA)
- White (WH)



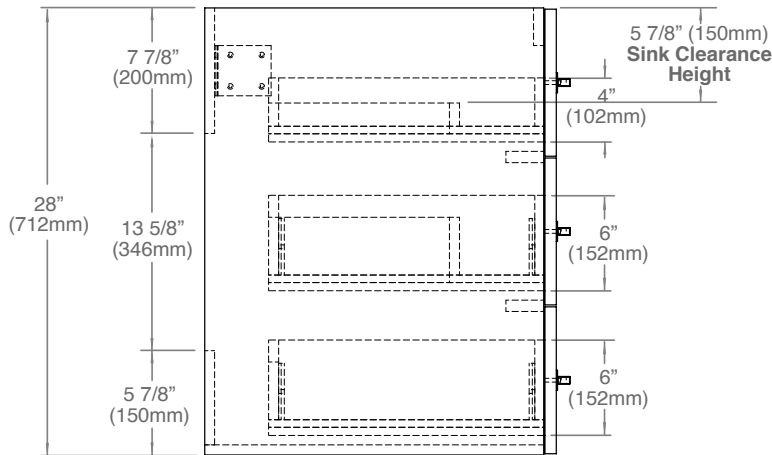
Top/Basin options

- White, Soft Grey or White Carrara Quartzstone™ top & white under mount ceramic basin
- Glossy White X-Stone top/basin
- Ceramic basin
- Tempered glass top/basin
- Glossy or Matte White X-Stone flat countertop

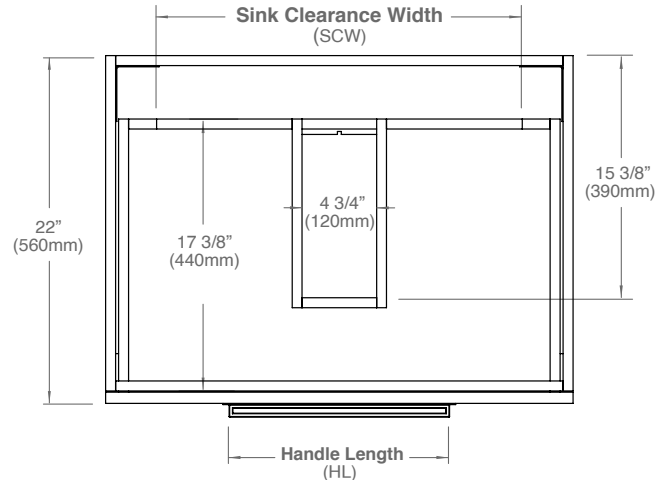


Handles Provided
To be installed in the field.
See page 4 and 6

SIDE VIEW



TOP VIEW



MODEL	CW	SCW	HL	Package Dimensions	Weight
B820/B830-24-00X-XX	23 5/8" (600mm)	19" (484mm)	10 5/8" (270mm)	26"(660)x25"(635)x31-5/8"(803)	118 lbs / 54 Kgs
B820/B830-30-00X-XX	29 5/8" (753mm)	23 1/8" (589mm)	14" (355mm)	32"(813)x25"(635)x31-5/8"(803)	136 lbs / 62 Kgs
B820/B830-36-00X-XX	35 5/8" (905mm)	29 1/8" (741mm)	16" (406mm)	38"(965)x25"(635)x31-5/8"(803)	152 lbs / 69 Kgs
B820/B830-42-00X-XX	41 5/8" (1058mm)	35 1/8" (894mm)	19 3/4" (503mm)	44"(1118)x25"(635)x31-5/8"(803)	162 lbs / 74 Kgs
B820/B830-48C-00X-XX	47 5/8" (1210mm)	41 1/8" (1046mm)	21 1/2" (545mm)	50"(1270)x25"(635)x31-5/8"(803)	187 lbs / 85 Kgs

For clarification, please contact Madeli Customer Care at (800) 819-6988 Ext.1 or service@madeli.com

All dimensions are approximate and subject to standard tolerance. Specifications subject to change without prior notice.

Epic/Icon - 48" - Double Bowl

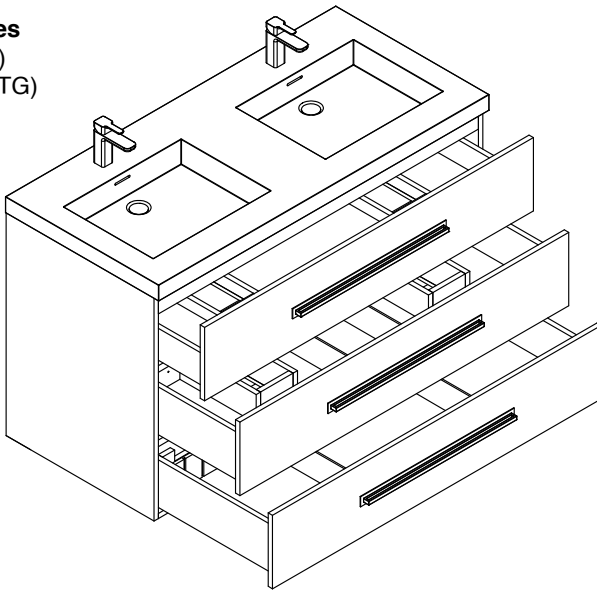
Cabinet Specifications

Features

- Wall hung vanity
- Bathroom Furniture grade plywood layered with solid wood veneer protected by polyurethane or finished with premium polyurethane solid color paints
- Matching finish inside out
- Three fully adjustable drawers with full-extension soft-close European hardware.
- Middle and Bottom drawers include adjustable tempered glass dividers
- Handle finish options: polished chrome (PC), brushed nickel (BN), polished nickel (PN), matte black (MB) and satin brass (SB)

Colors/Finishes

- Sapphire (SA)
- Studio Grey (TG)
- Walnut (WA)
- White (WH)



SIDE VIEW

Top/Basin options

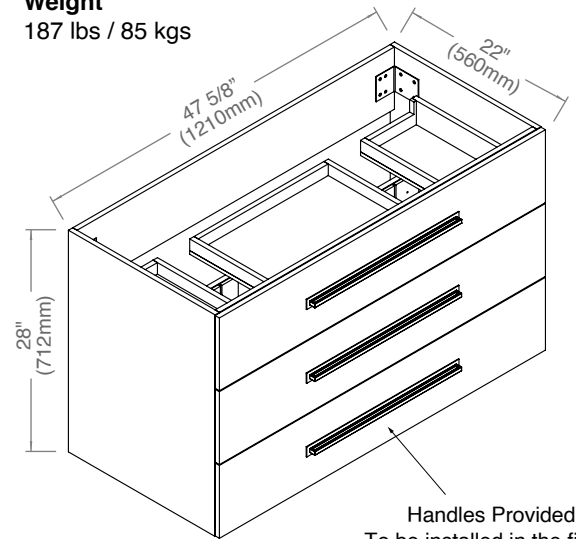
- White, Soft Grey or White Carrara Quartzstone™ top & white under mount ceramic basin
- Glossy White X-Stone top/basin
- Ceramic basin
- Tempered glass top/basin
- Glossy or Matte White X-Stone flat countertop

Package Dimensions

50" (1270mm) x 25" (635) x 31-5/8" (803)

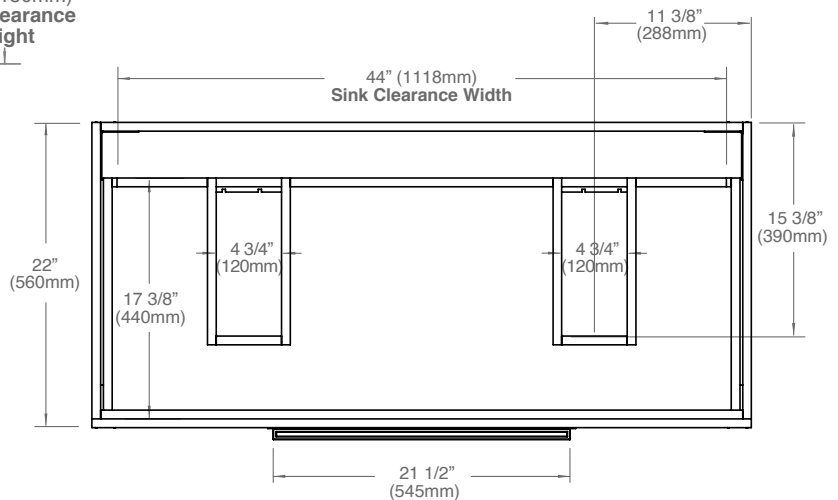
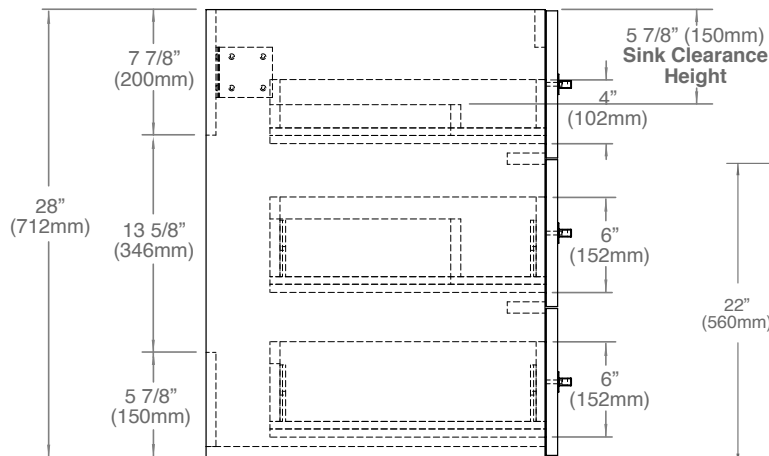
Weight

187 lbs / 85 kgs



Handles Provided
 To be installed in the field.
 See page 4 and 6

TOP VIEW



For clarification, please contact Madeli Customer Care at (800) 819-6988 Ext.1 or service@madeli.com
 All dimensions are approximate and subject to standard tolerance. Specifications subject to change without prior notice.

Epic/Icon - 60" - Single Bowl

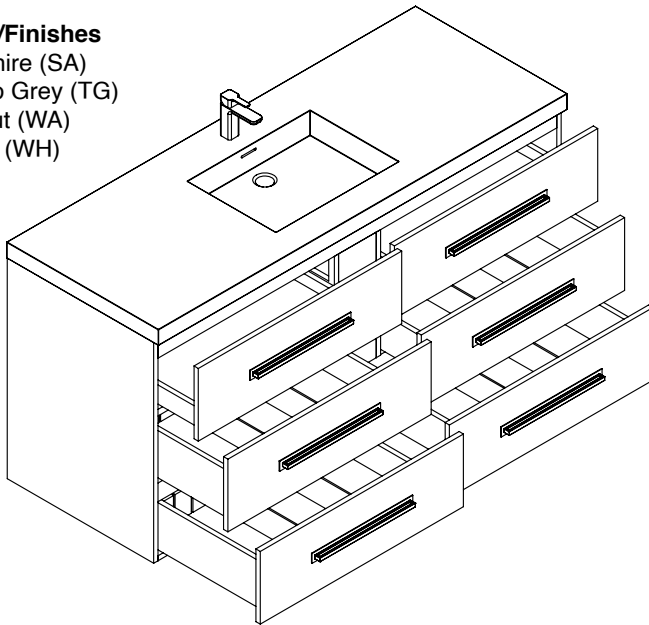
Cabinet Specifications

Features

- Wall hung vanity
- Bathroom Furniture grade plywood layered with solid wood veneer protected by polyurethane or finished with premium polyurethane solid color paints
- Matching finish inside out
- Three fully adjustable drawers with full-extension soft-close European hardware.
- Middle and Bottom drawers include adjustable tempered glass dividers
- Handle finish options: polished chrome (PC), brushed nickel (BN), polished nickel (PN), matte black (MB) and satin brass (SB)

Colors/Finishes

- Sapphire (SA)
- Studio Grey (TG)
- Walnut (WA)
- White (WH)



SIDE VIEW

Top/Basin options

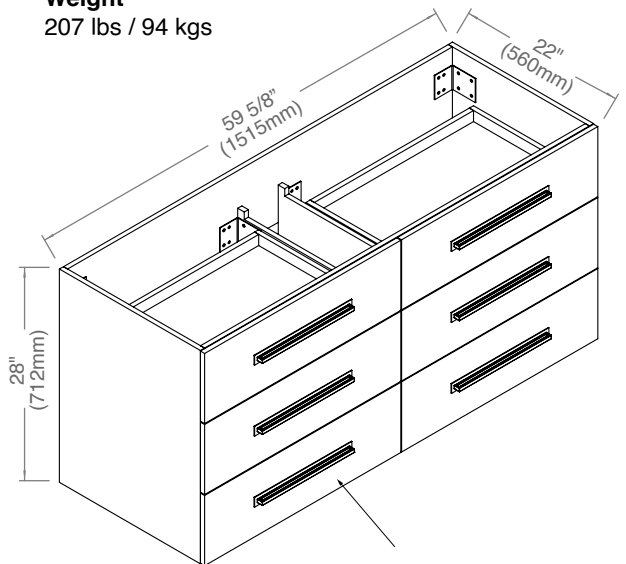
- White, Soft Grey or White Carrara Quartzstone™ top & white under mount ceramic basin
- Glossy White X-Stone top/basin
- Ceramic basin
- Tempered glass top/basin
- Glossy or Matte White X-Stone flat countertop

Package Dimensions

62" (1275mm) x 25" (635) x 31-5/8" (803)

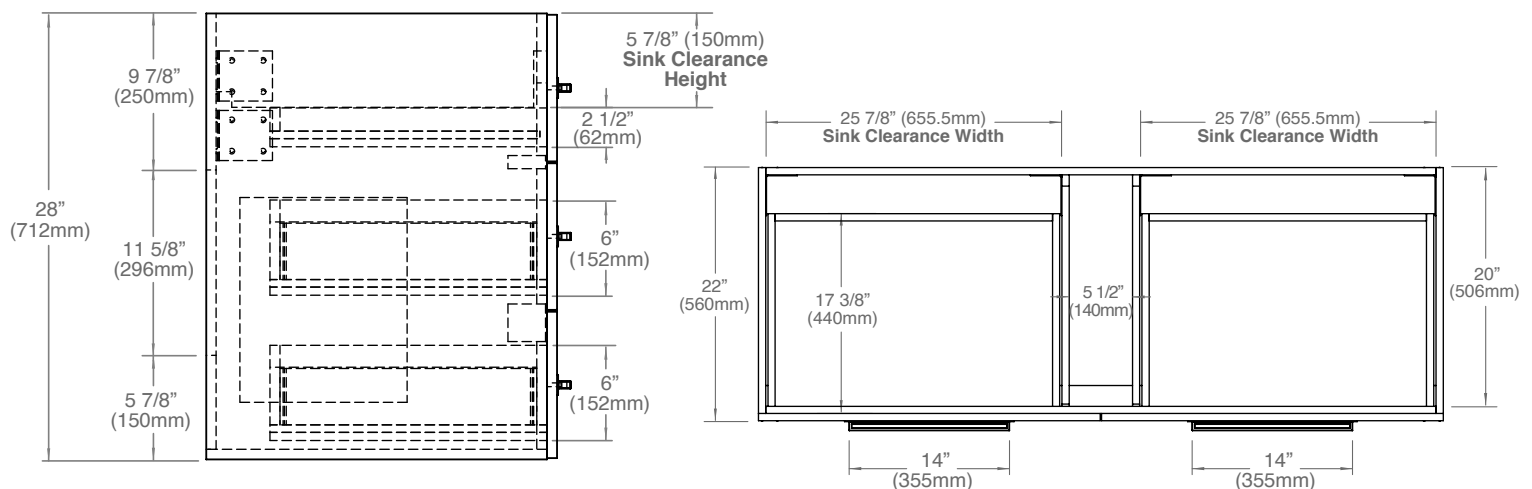
Weight

207 lbs / 94 kgs



TOP VIEW

Handles Provided
To be installed in the field.
See page 4 and 6



For clarification, please contact Madeli Customer Care at (800) 819-6988 Ext.1 or service@madeli.com

All dimensions are approximate and subject to standard tolerance. Specifications subject to change without prior notice.

Epic/Icon - 60"/72" - Double Bowl

Cabinet Specifications

Features

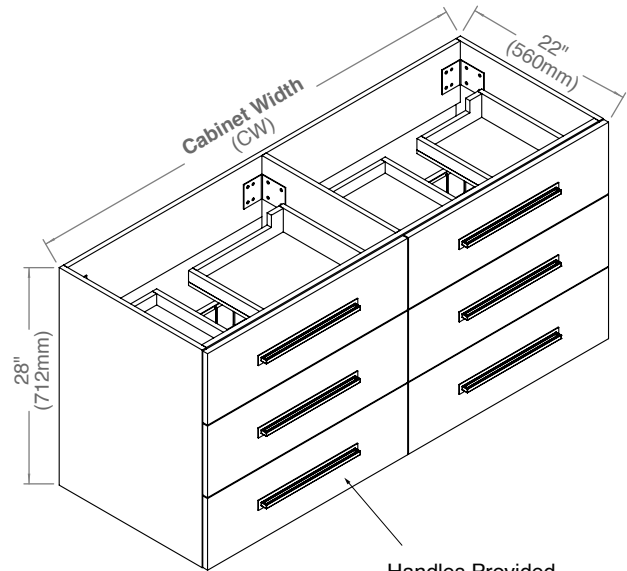
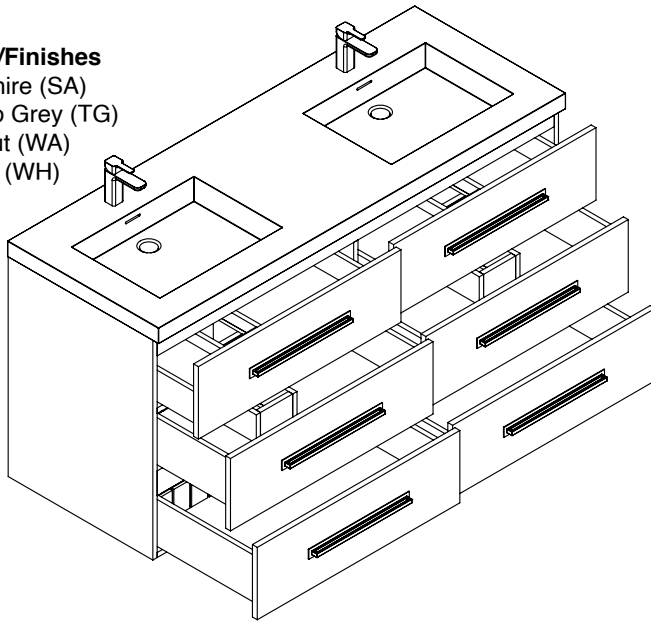
- Wall hung vanity
- Bathroom Furniture grade plywood layered with solid wood veneer protected by polyurethane or finished with premium polyurethane solid color paints
- Matching finish inside out
- Three fully adjustable drawers with full-extension soft-close European hardware.
- Middle and Bottom drawers include adjustable tempered glass dividers
- Handle finish options: polished chrome (PC), brushed nickel (BN), polished nickel (PN), matte black (MB) and satin brass (SB)

Top/Basin options

- White, Soft Grey or White Carrara Quartzstone™ top & white under mount ceramic basin
- Glossy White X-Stone top/basin
- Ceramic basin
- Tempered glass top/basin
- Glossy or Matte White X-Stone flat countertop

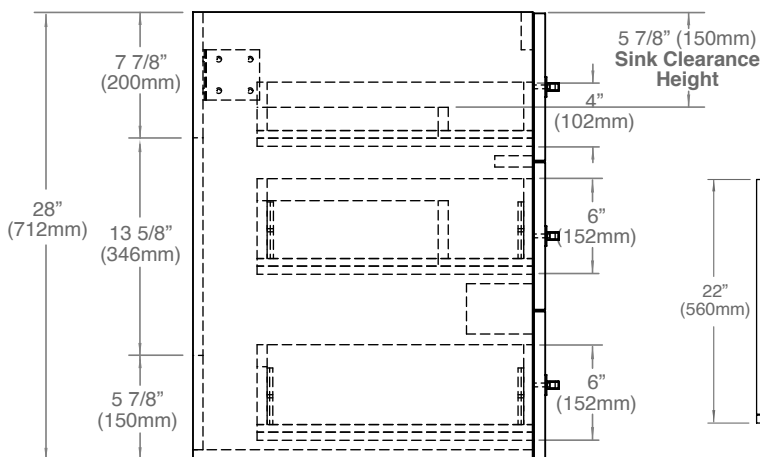
Colors/Finishes

- Sapphire (SA)
- Studio Grey (TG)
- Walnut (WA)
- White (WH)

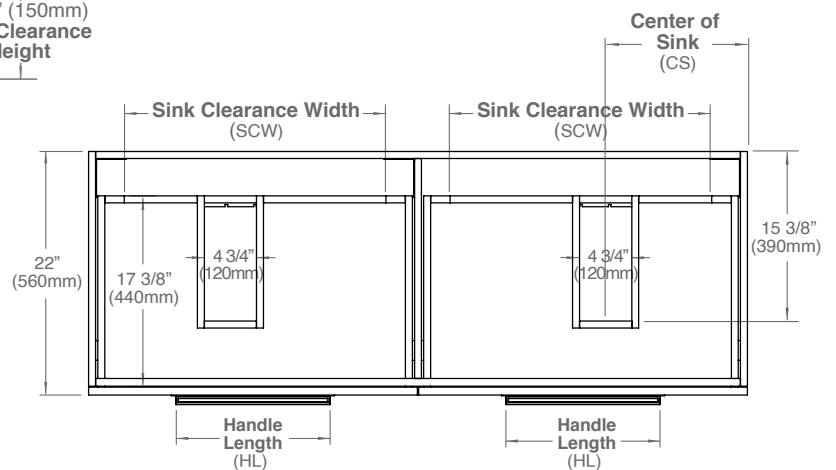


Handles Provided
To be installed in the field.
See page 4 and 6

SIDE VIEW



TOP VIEW



MODEL	CW	SCW	CS	HL	Package Dimensions	Weight
B820/B830-60D-00X-XX	59 5/8" (1515mm)	23 5/8" (602mm)	12 7/8" (326mm)	14" (355mm)	62"(1575)x25"(635)x31-5/8"(803)	207 lbs / 94 Kgs
B820/B830-72D-00X-XX	71 5/8" (1820mm)	29 5/8" (754mm)	14 3/8" (365mm)	16" (406mm)	74"(1880)x25"(635)x31-5/8"(803)	233 lbs / 106 Kgs

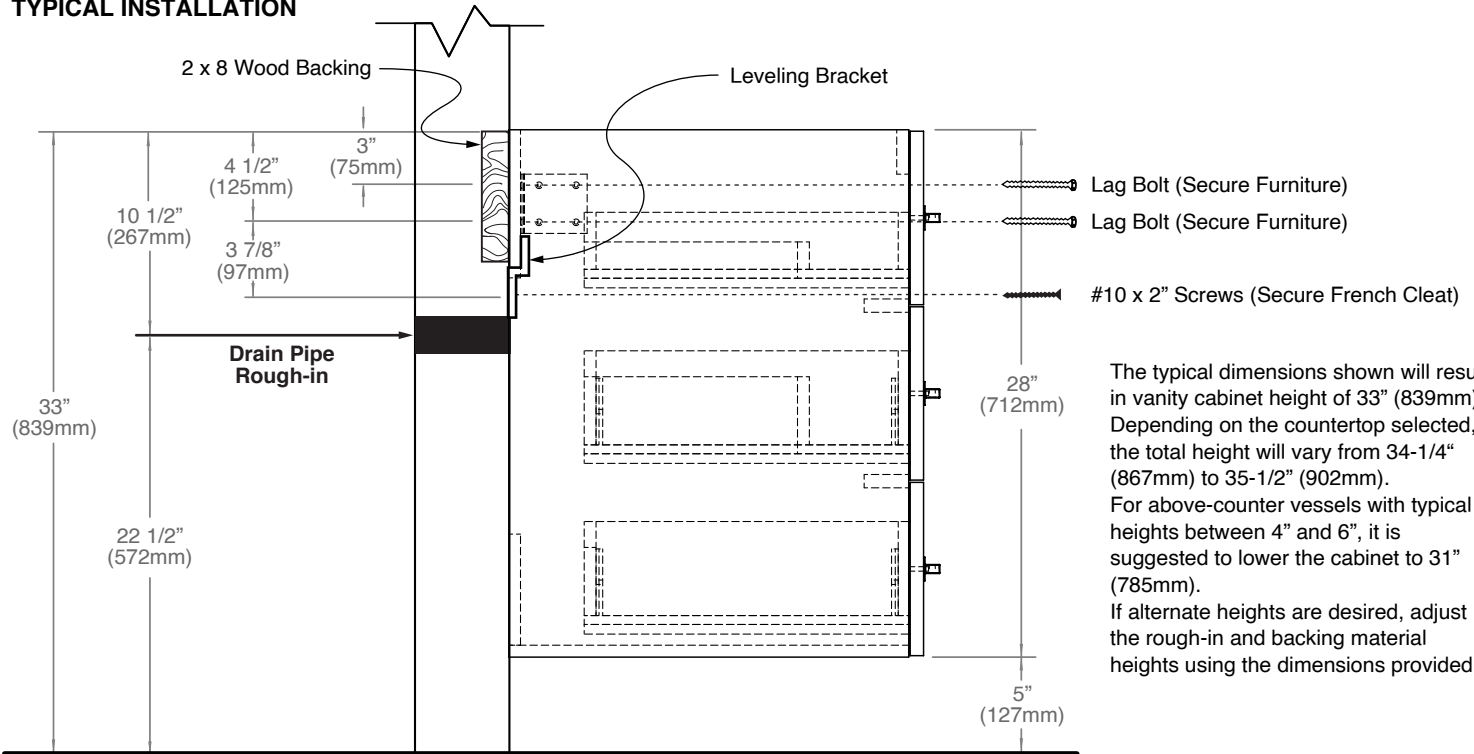
For clarification, please contact Madeli Customer Care at (800) 819-6988 Ext.1 or service@madeli.com

All dimensions are approximate and subject to standard tolerance. Specifications subject to change without prior notice.

Epic - WALL HUNG VANITY

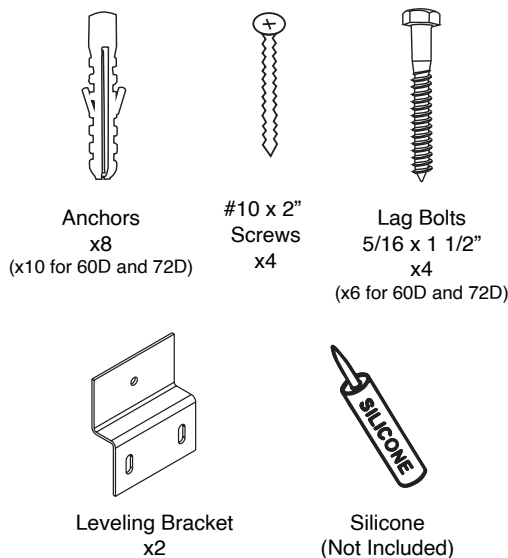
Installation Guide

TYPICAL INSTALLATION

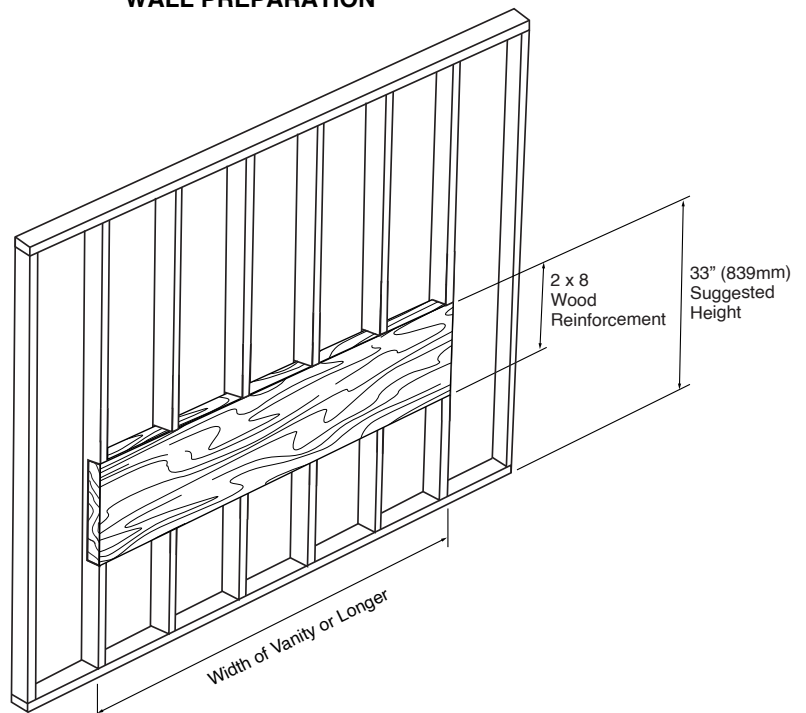


The typical dimensions shown will result in vanity cabinet height of 33" (839mm). Depending on the countertop selected, the total height will vary from 34-1/4" (867mm) to 35-1/2" (902mm). For above-counter vessels with typical heights between 4" and 6", it is suggested to lower the cabinet to 31" (785mm). If alternate heights are desired, adjust the rough-in and backing material heights using the dimensions provided.

ACCESSORIES FOR INSTALLATION



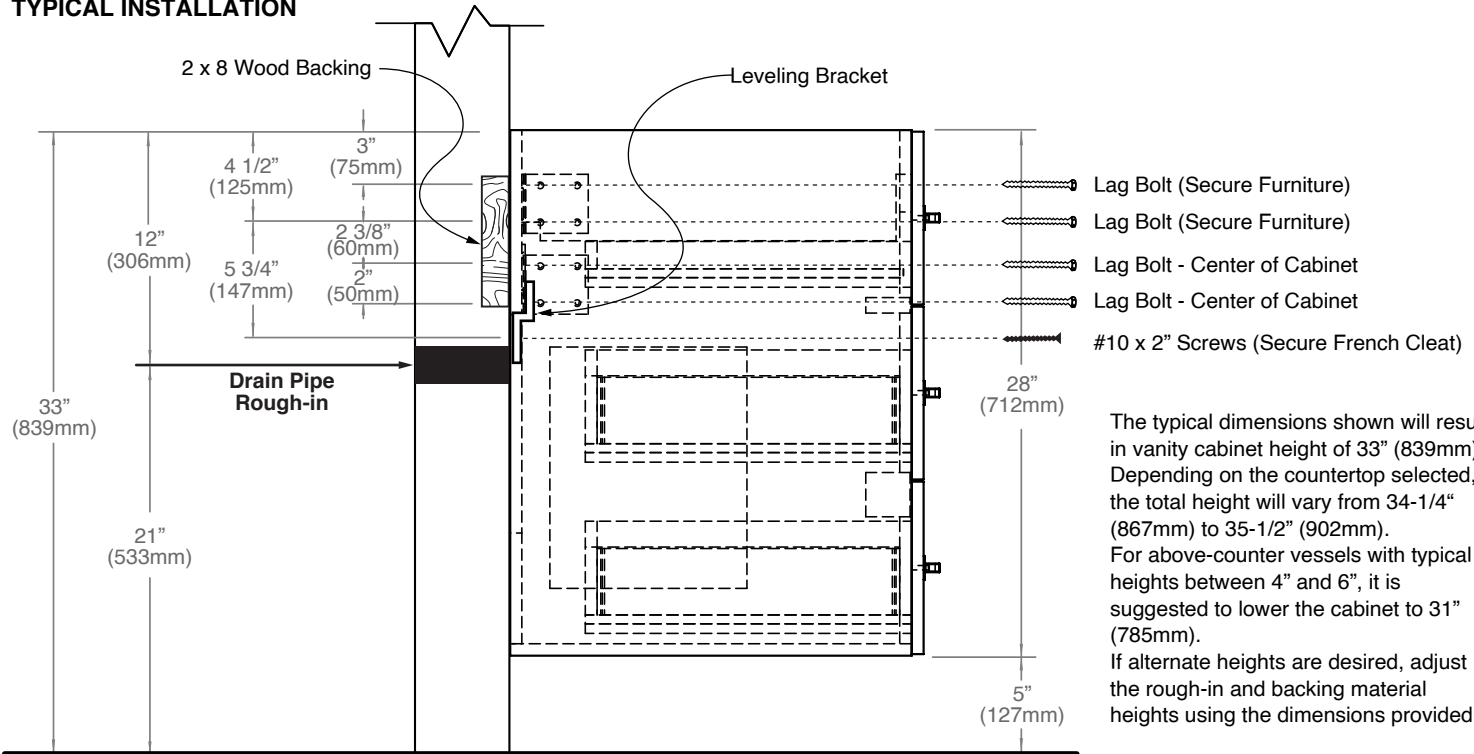
WALL PREPARATION



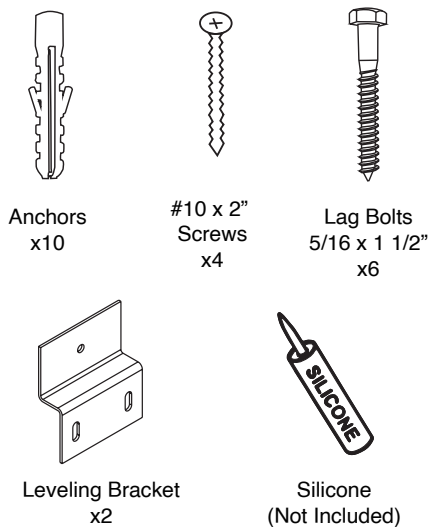
Epic - WALL HUNG VANITY

Installation Guide

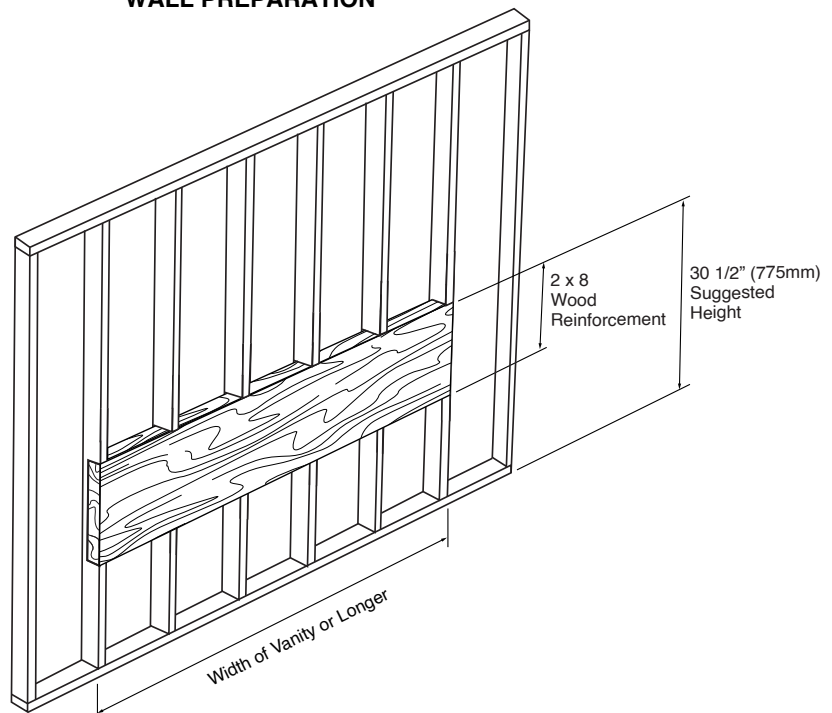
TYPICAL INSTALLATION



ACCESSORIES FOR INSTALLATION



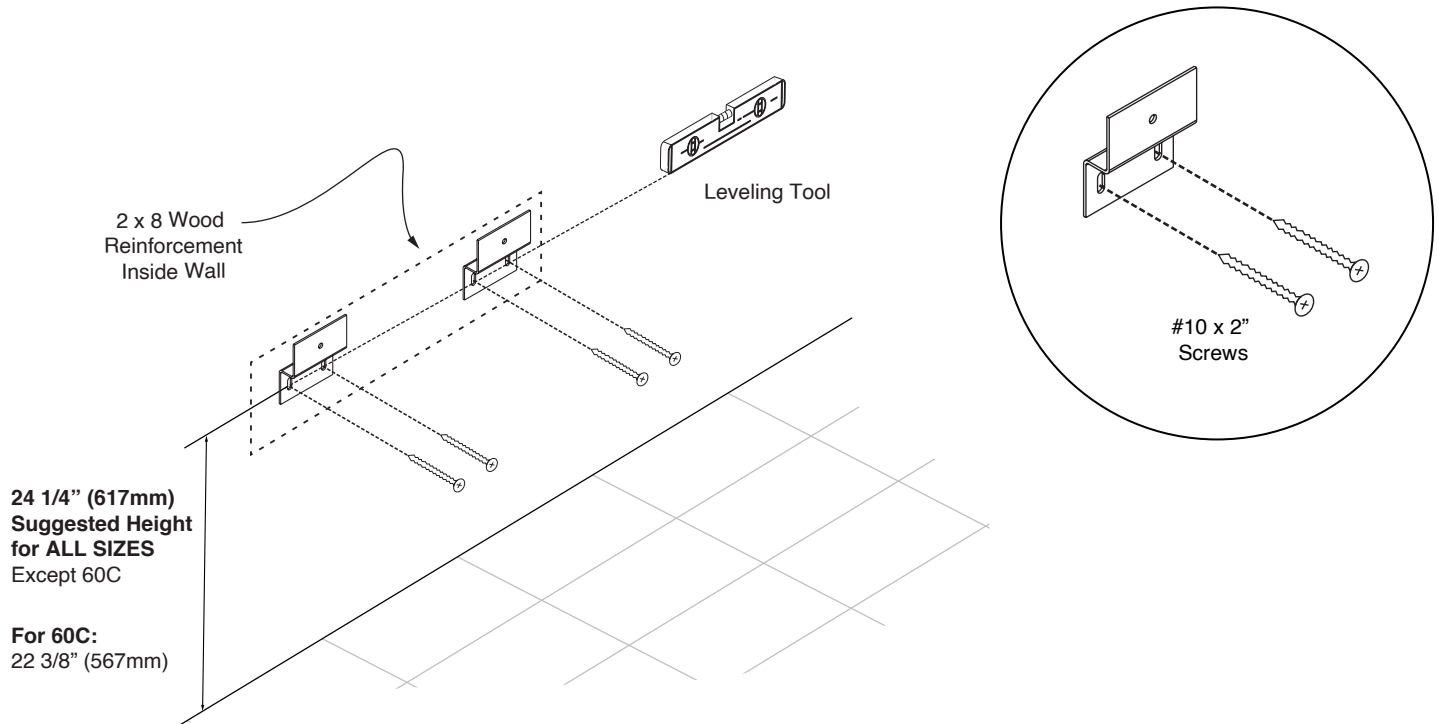
WALL PREPARATION



Epic - WALL HUNG VANITY

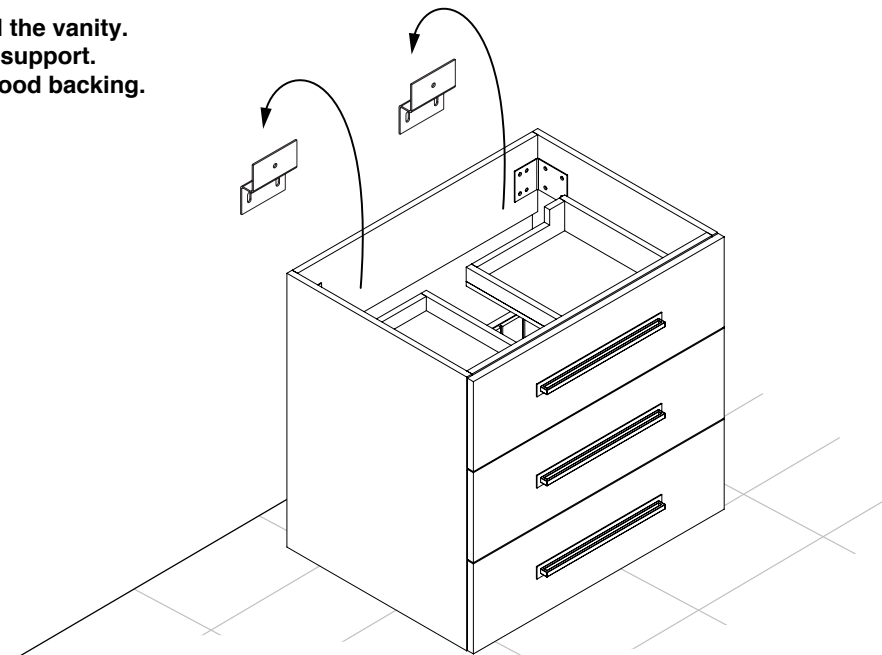
Installation Guide

STEP 1: Install leveling brackets



STEP 2: Place vanity on leveling bracket.

The leveling brackets are only to level the vanity.
They are not designed for permanent support.
The cabinet needs to be secured to wood backing.

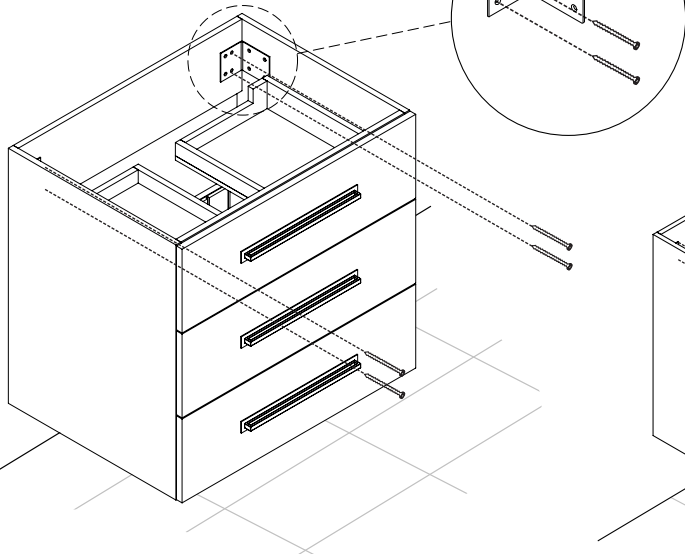


Epic - WALL HUNG VANITY

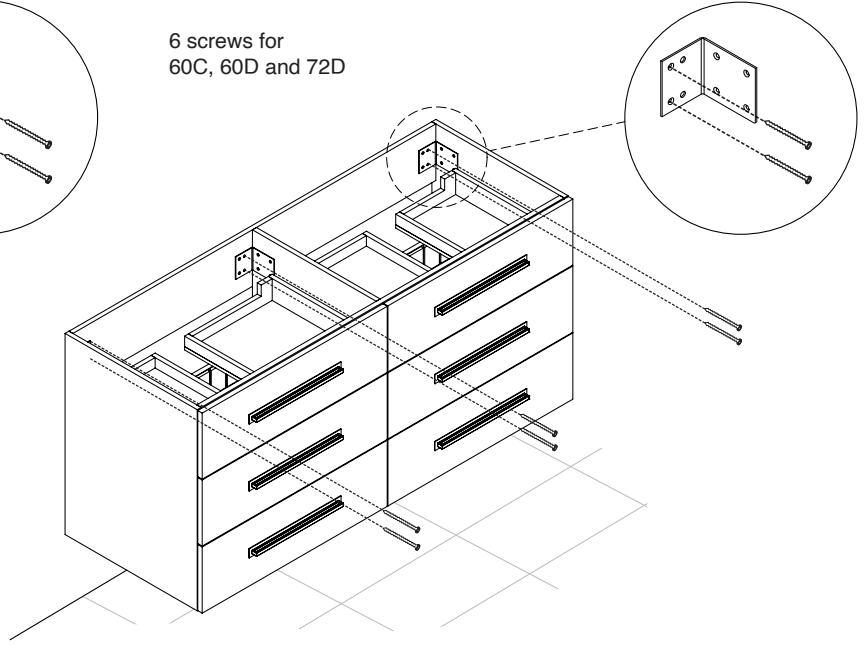
Installation Guide

STEP 3: Secure vanity to wood reinforcement backing.

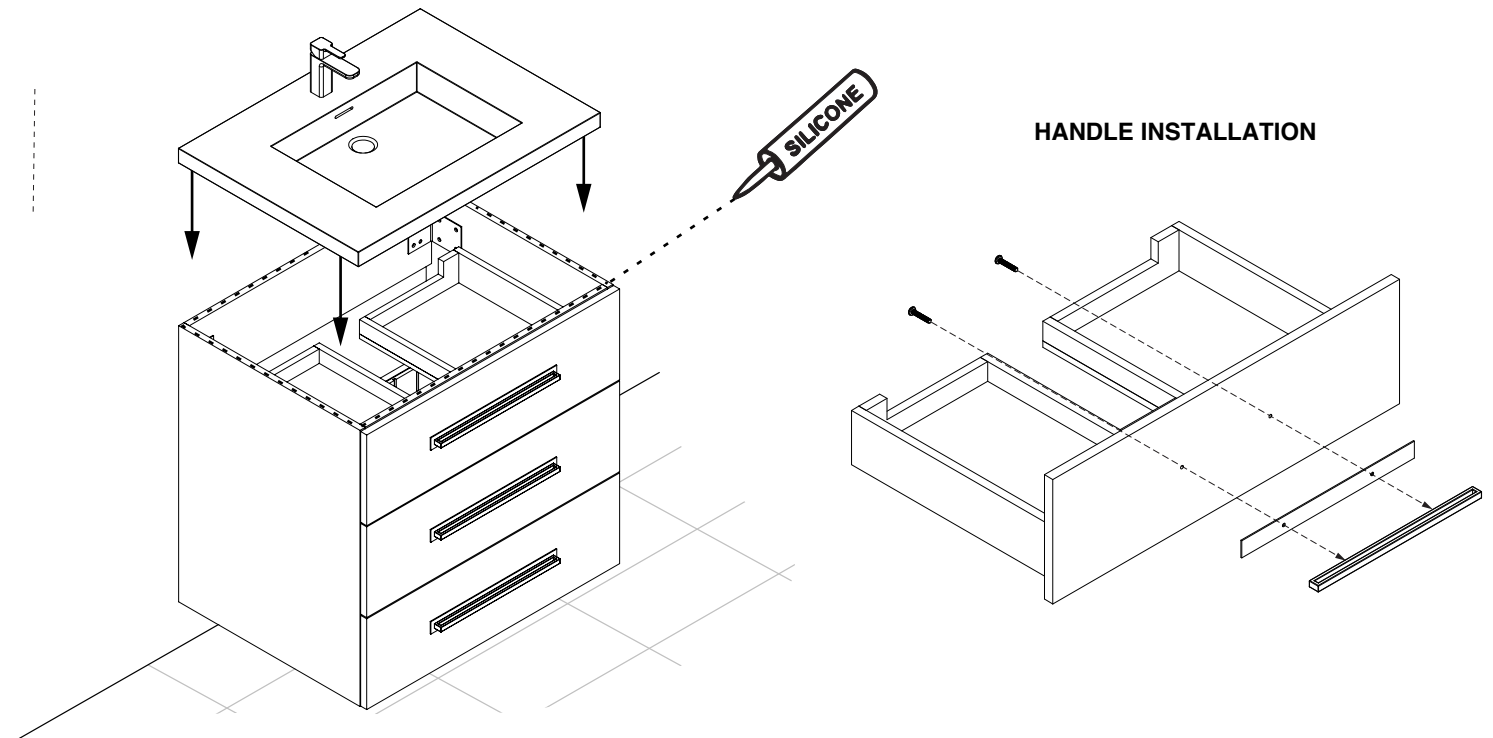
4 screws for
24, 30, 36, 42, 48C and 48D



6 screws for
60C, 60D and 72D



STEP 4: Install countertop with silicone and handles as shown below.



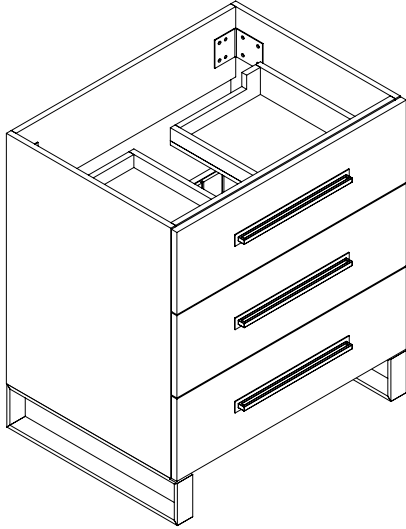
For clarification, please contact Madeli Customer Care at (800) 819-6988 Ext.1 or service@madeli.com
All dimensions are approximate and subject to standard tolerance. Specifications subject to change without prior notice.

09 | Page

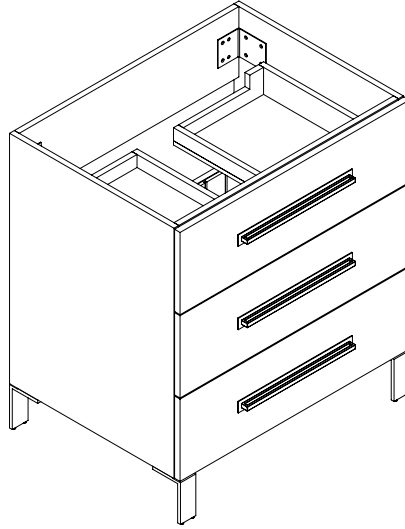
Icon - FREE STANDING VANITY

Feet/Base Installation

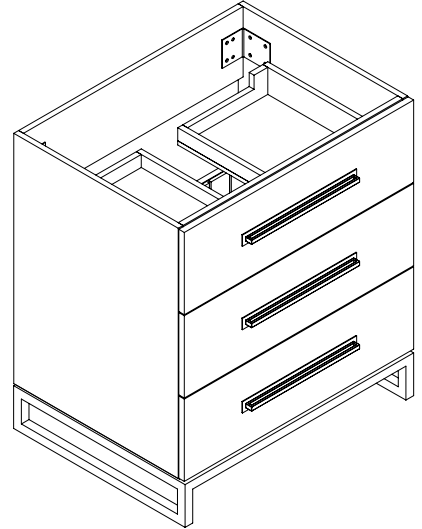
S-FEET



L-FEET



C-BASE



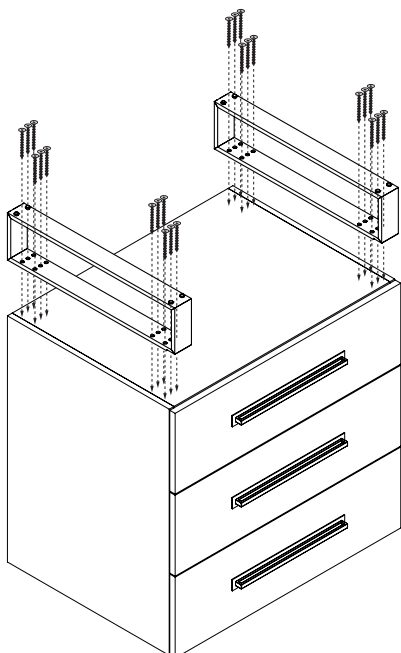
FEET/BASE INSTALLATION

1. Flip cabinet in the upside down position.
2. Mark screw locations using legs/base as template.
3. Pre-drill holes with 5/64", 3/32" or 7/64" drill bit about 1/2" deep.
4. Using provided screws, fix legs/base to cabinet as shown below.

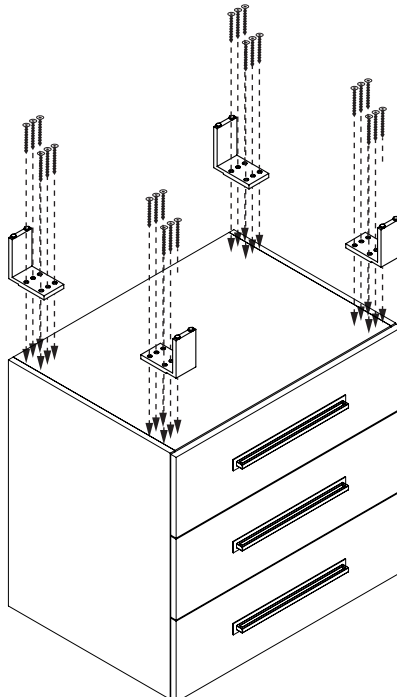
If using a regular battery drill, set clutch to minimum and increase setting as needed.

DO NOT OVER TIGHTEN THE SCREWS. DOING SO WILL SPLIT THE WOOD SIDE PANEL.

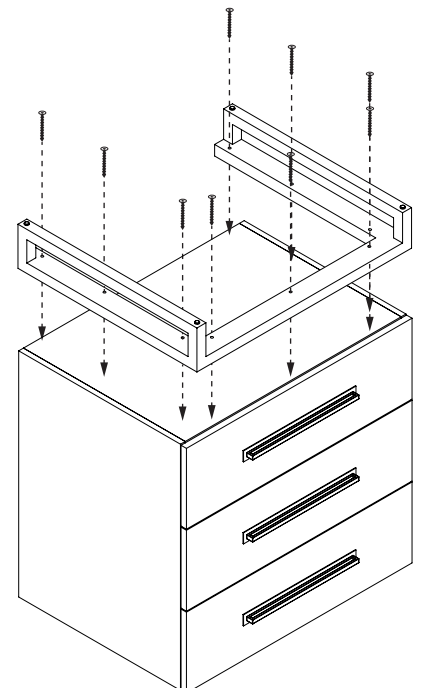
S-FEET INSTALLATION



L-FEET INSTALLATION



C-BASE INSTALLATION

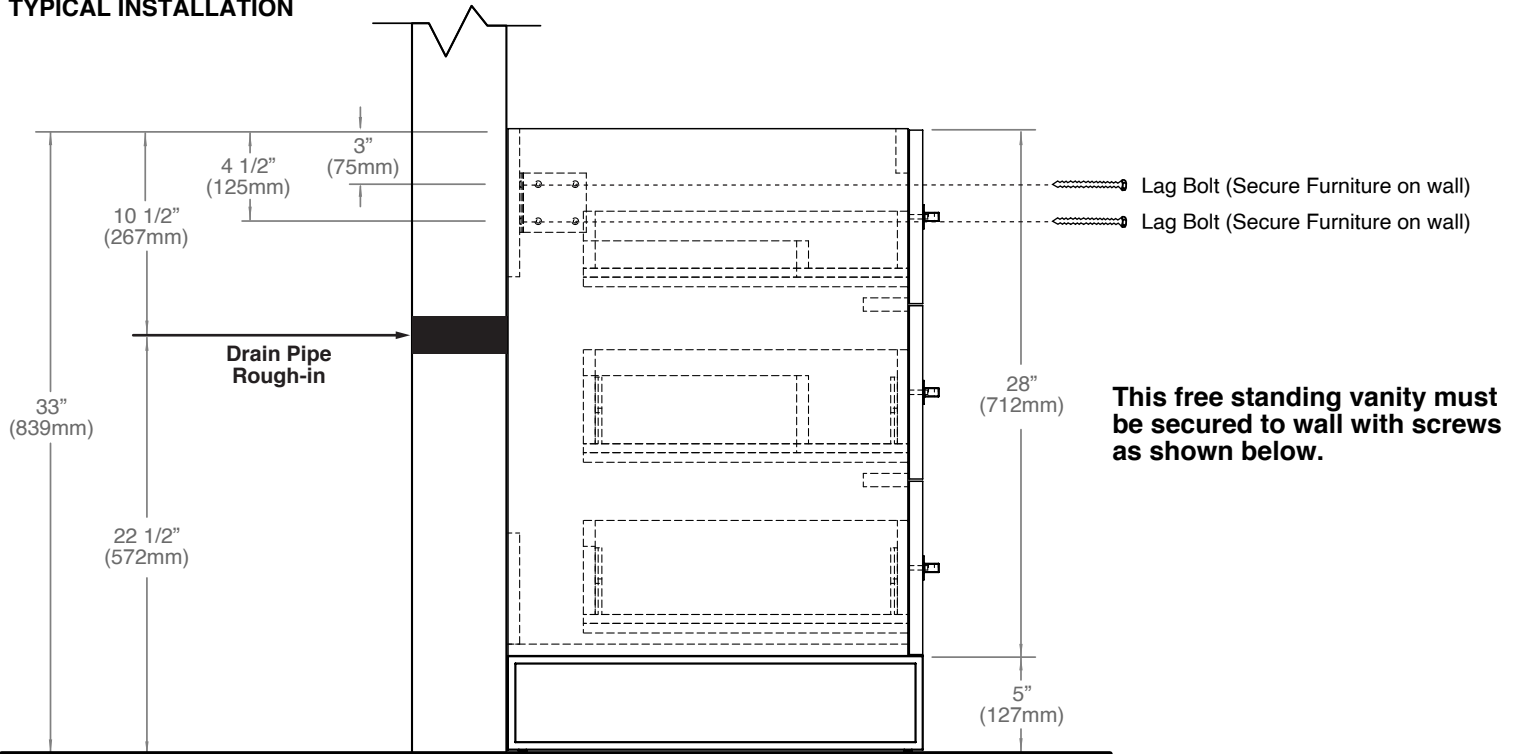


For clarification, please contact Madeli Customer Care at (800) 819-6988 Ext.1 or service@madeli.com
 All dimensions are approximate and subject to standard tolerance. Specifications subject to change without prior notice.

Icon - FREE STANDING VANITY

Feet/Base Installation

TYPICAL INSTALLATION

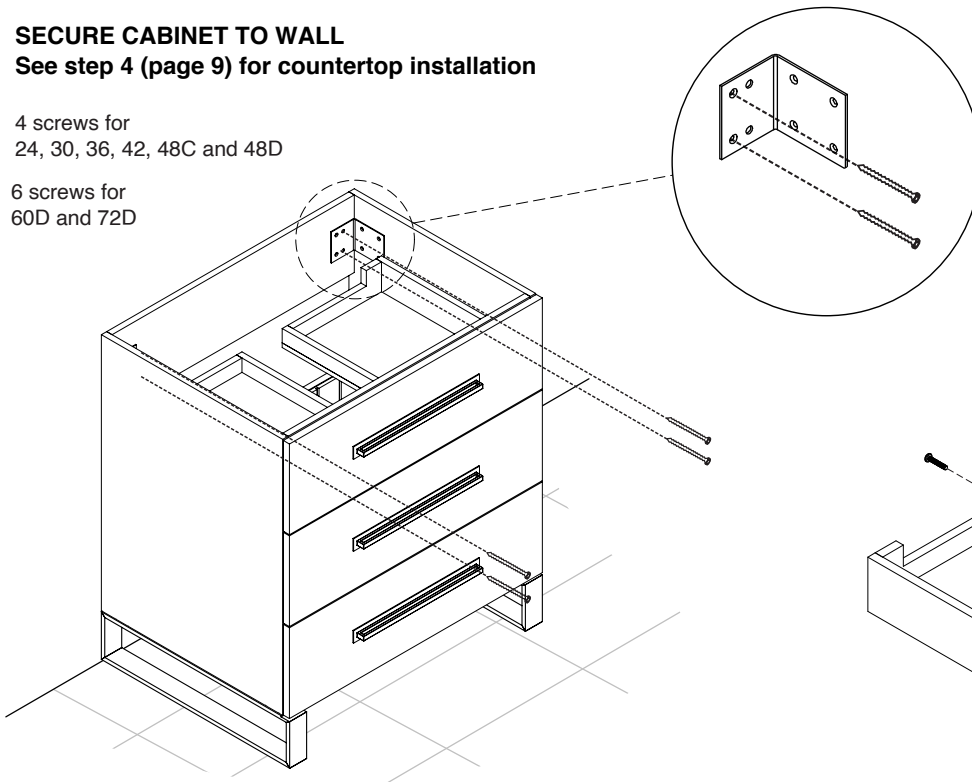


SECURE CABINET TO WALL

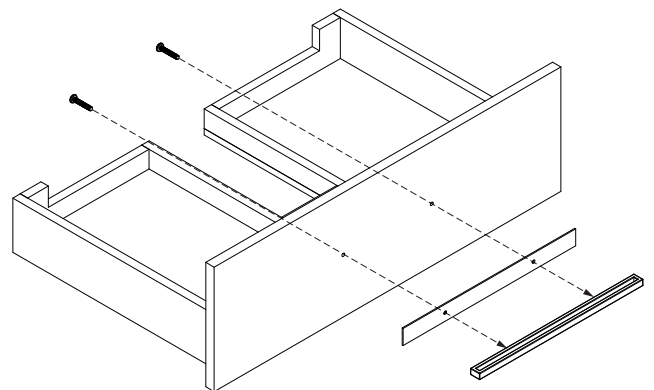
See step 4 (page 9) for countertop installation

4 screws for
24, 30, 36, 42, 48C and 48D

6 screws for
60D and 72D



HANDLE INSTALLATION

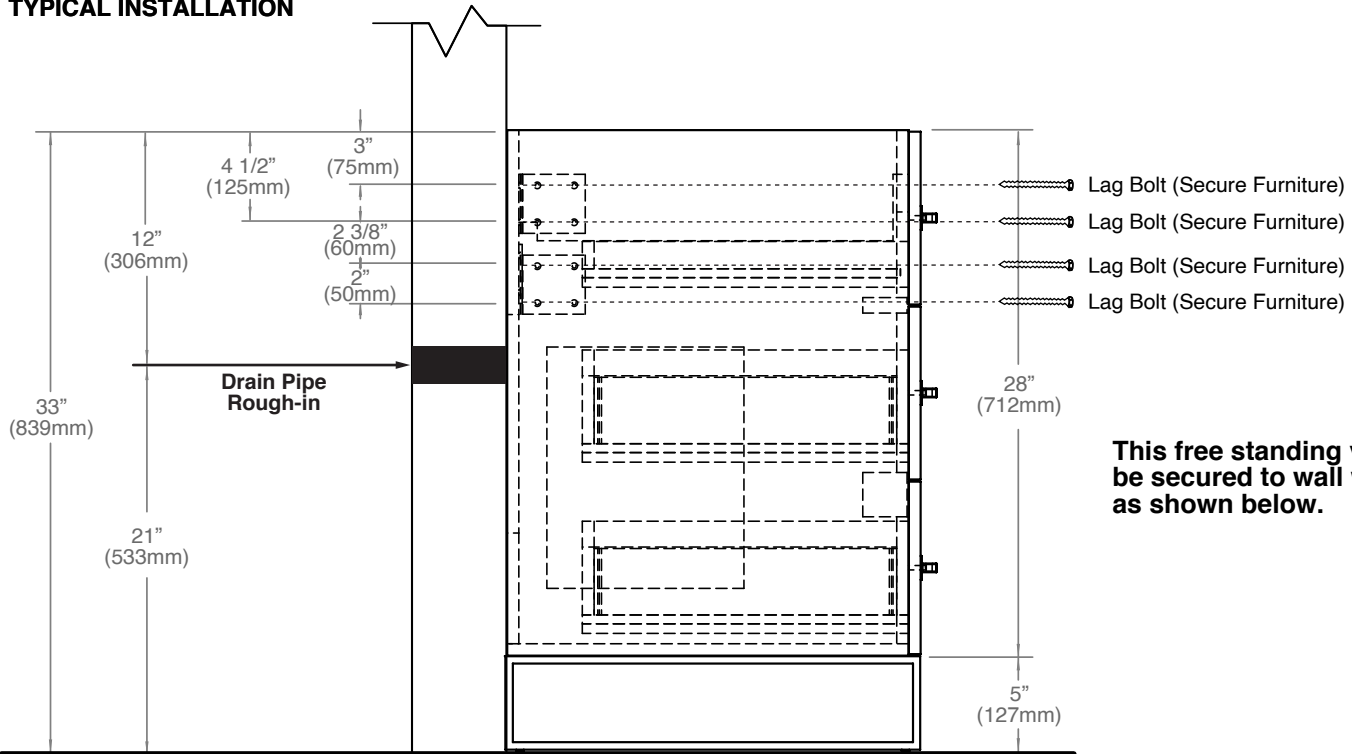


For clarification, please contact Madeli Customer Care at (800) 819-6988 Ext.1 or service@madeli.com
All dimensions are approximate and subject to standard tolerance. Specifications subject to change without prior notice.

Icon - FREE STANDING VANITY

Feet/Base Installation

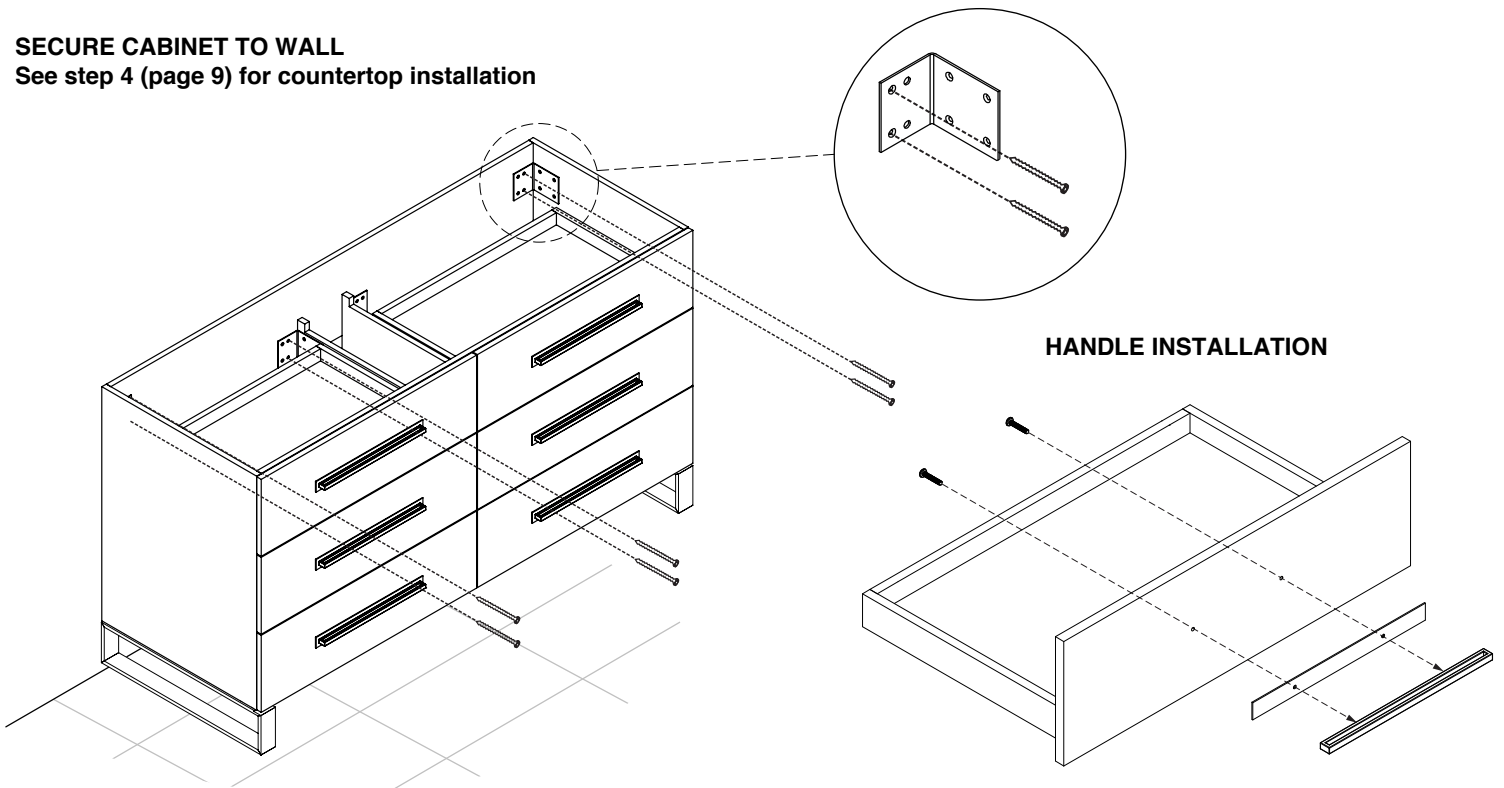
TYPICAL INSTALLATION



This free standing vanity must be secured to wall with screws as shown below.

SECURE CABINET TO WALL

See step 4 (page 9) for countertop installation



For clarification, please contact Madeli Customer Care at (800) 819-6988 Ext.1 or service@madeli.com
All dimensions are approximate and subject to standard tolerance. Specifications subject to change without prior notice.