

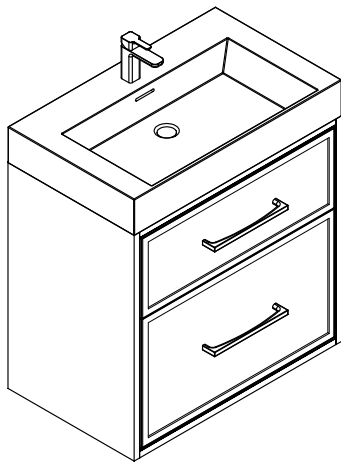
Specifications and Installation Guide

B455-Edge

Wall Hung Vanity Collection

Models

- B455-24-002-XX
- B455-30-002-XX
- B455-36-002-XX
- B455-42-002-XX
- B455-48C-002-XX
- B455-48D-002-XX
- B455-60C-002-XX
- B455-60D-002-XX
- B455-72D-002-XX



B465-Profile

Free Standing Vanity Collection

- B465-24-001-XX
- B465-30-001-XX
- B465-36-001-XX
- B465-42-001-XX
- B465-48C-001-XX
- B465-48D-001-XX
- B465-60C-001-XX
- B465-60D-001-XX
- B465-72D-001-XX

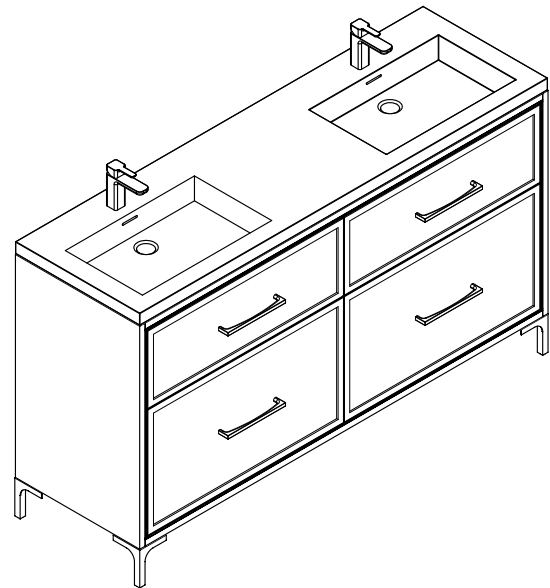


Table of Contents

	Page / Page
Specifications 24/30/36/42/48C.....	2
Specifications 48D.....	3
Specifications 60C.....	4
Specifications 60D/72D.....	5
Typical Installation: Wall Hung /B455-Edge.....	6-7
Installation Steps: Wall Hung /B455-Edge.....	8-9
Feet/Base Installation: Free Standing /B465-Profile.....	10
Typical Installation: Free Standing /B465-Profile.....	11-12

For clarification, please contact Madeli Customer Care at (800) 819-6988 Ext.1 or service@madeli.com
 Pour plus de précisions, veuillez contacter le service client Madeli au (800) 819-6988 Ext.1 ou service@madeli.com

Edge/Profile - 24"/30"/36"/42"/48" - Single Bowl

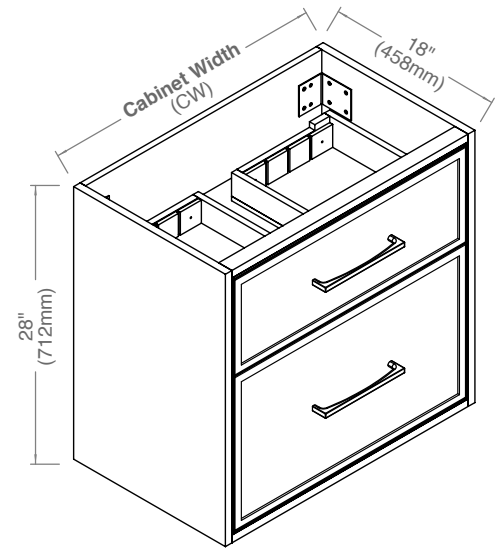
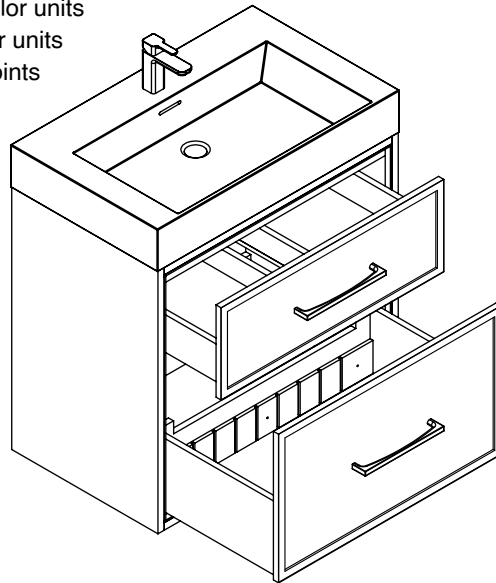
Cabinet Specifications

Features

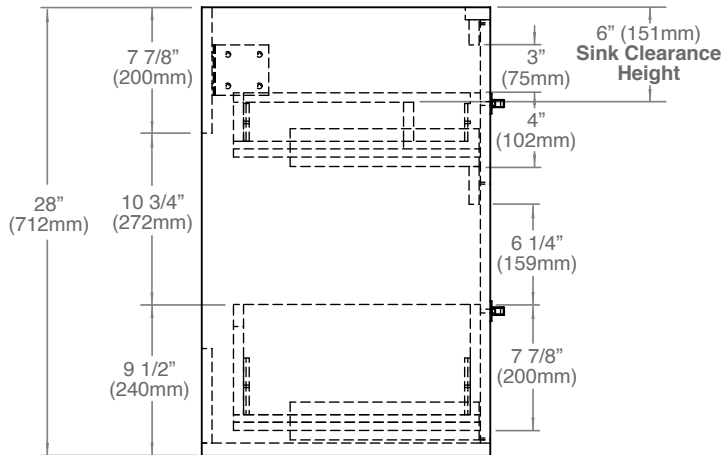
- Edge-Wall Hung Vanity or Profile-Free Standing Vanity
- Bathroom Furniture grade plywood layered with solid wood veneer protected by polyurethane or finished with premium polyurethane solid color paints
- Matching finish inside out
- Two fully adjustable drawers with full-extension soft-close European hardware.
- Top and Bottom drawers include adjustable tempered glass dividers
- Handle/Inlay finish options: polished chrome (PC), brushed nickel (BN), polished nickel (PN), matte black (MB) and satin brass (SB)
- Drawer Boxes:
 - Matching color for solid color units
 - Light grey for wood veneer units
 - Solid wood with dovetail joints for natural color units

Top/Basin options

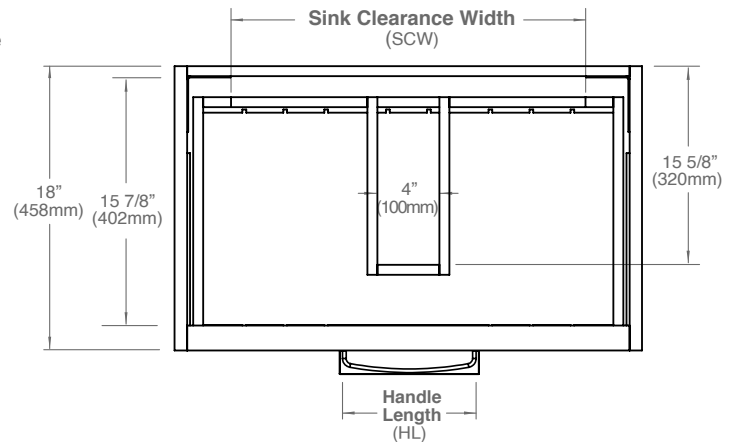
- Ceramic basins up to 36"
- X-Stone 1-1/2"H top/basin for all sizes
- X-Stone 4-1/2"H Trough sink for all sizes
- Quartzstone 3/4"H countertop with ceramic basin for all sizes



SIDE VIEW



TOP VIEW



MODEL	CW	SCW	HL (C.C.)	Package Dimensions	Weight
B455/465-24-00X-XX	23 5/8" (600mm)	19" (482mm)	8" (203mm)	26"(660)x21"(533)x31-5/8"(803)	75 lbs / 34 Kgs
B455/465-30-00X-XX	29 5/8" (753mm)	22 3/8" (569mm)	8" (203mm)	32"(813)x21"(533)x31-5/8"(803)	84 lbs / 38 Kgs
B455/465-36-00X-XX	35 5/8" (905mm)	28 3/8" (721mm)	11" (279mm)	38"(965)x21"(533)x31-5/8"(803)	95 lbs / 43 Kgs
B455/465-42-00X-XX	41 5/8" (1058mm)	34 3/8" (874mm)	11" (279mm)	44"(1118)x21"(533)x31-5/8"(803)	111 lbs / 51 Kgs
B455/465-48C-00X-XX	47 5/8" (1210mm)	40 3/8" (1026mm)	13" (330mm)	50"(1270)x21"(533)x31-5/8"(803)	127 lbs / 58 Kgs

For clarification, please contact Madeli Customer Care at (800) 819-6988 Ext.1 or service@madeli.com

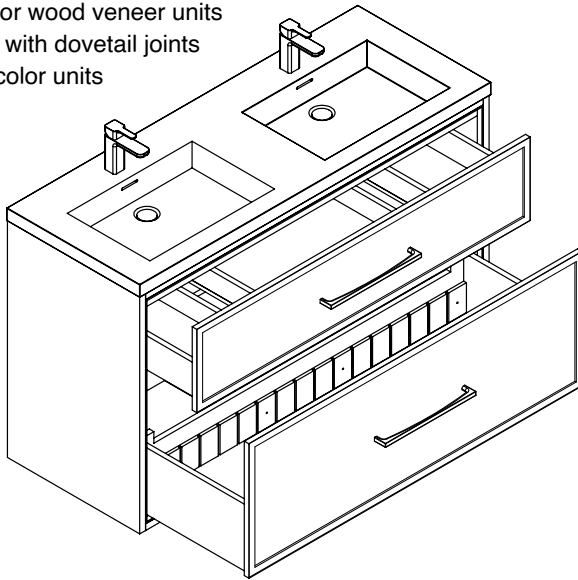
All dimensions are approximate and subject to standard tolerance. Specifications subject to change without prior notice.

Edge/Profile - 48" - Double Bowl

Cabinet Specifications

Features

- Edge-Wall Hung Vanity or Profile-Free Standing Vanity
- Bathroom Furniture grade plywood layered with solid wood veneer protected by polyurethane or finished with premium polyurethane solid color paints
- Matching finish inside out
- Two fully adjustable drawers with full-extension soft-close European hardware
- Top and Bottom drawers include adjustable tempered glass dividers
- Handle/Inlay finish options: polished chrome (PC), brushed nickel (BN), polished nickel (PN), matte black (MB) and satin brass (SB)
- Drawer Boxes:
 - Matching color for solid color units
 - Light grey for wood veneer units
 - Solid wood with dovetail joints for natural color units



Top/Basin options

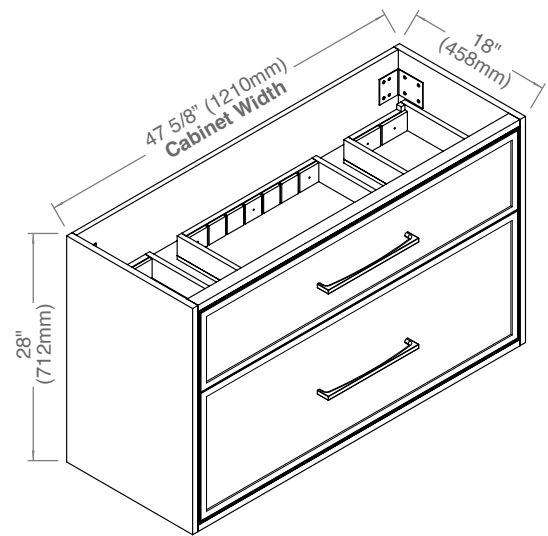
- X-Stone 1-1/2"H top/basin
- X-Stone 4-1/2"H Trough sink
- Quartzstone 3/4"H countertop with ceramic basin

Package Dimensions

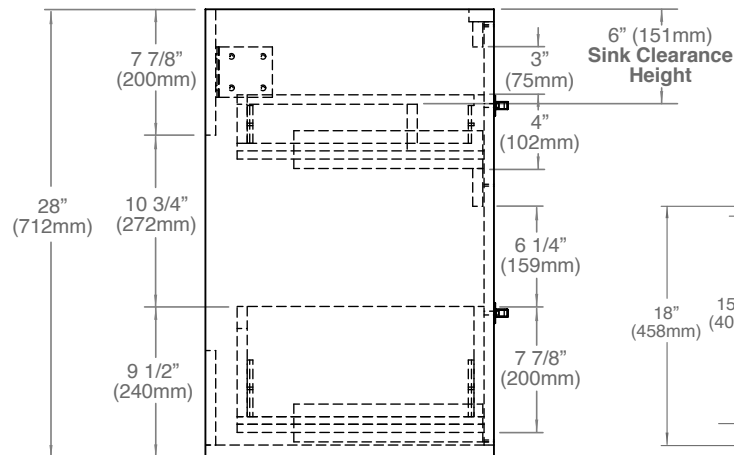
50"(1270mm) x 21"(533mm) x 31-5/8"(803mm)

Weight

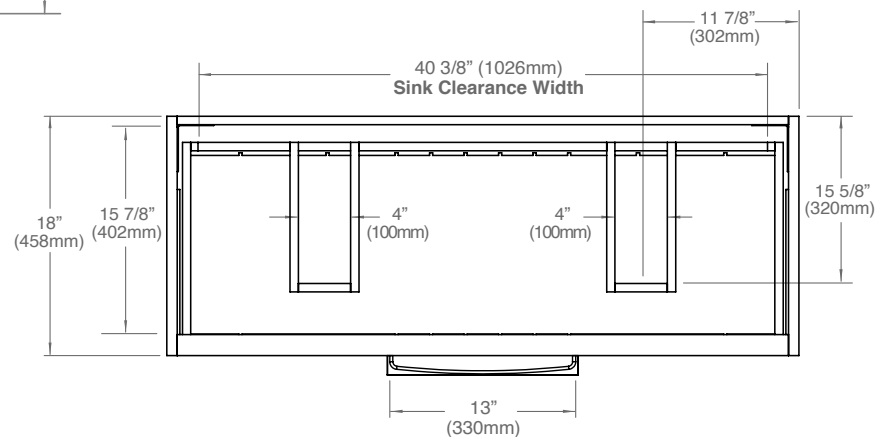
127 lbs / 58 Kgs



SIDE VIEW



TOP VIEW



For clarification, please contact Madeli Customer Care at (800) 819-6988 Ext.1 or service@madeli.com

All dimensions are approximate and subject to standard tolerance. Specifications subject to change without prior notice.

03 | Page

Edge/Profile - 60" - Single Bowl

Cabinet Specifications

Features

- Edge-Wall Hung Vanity or Profile-Free Standing Vanity
- Bathroom Furniture grade plywood layered with solid wood veneer protected by polyurethane or finished with premium polyurethane solid color paints
- Matching finish inside out.
- Four fully adjustable drawers with full-extension soft-close European hardware.
- Top and Bottom drawers include adjustable tempered glass dividers
- Handle/Inlay finish options: polished chrome (PC), brushed nickel (BN), polished nickel (PN), matte black (MB) and satin brass (SB)
- Drawer Boxes:
 - Matching color for solid color units
 - Light grey for wood veneer units
 - Solid wood with dovetail joints for natural color units

Top/Basin options

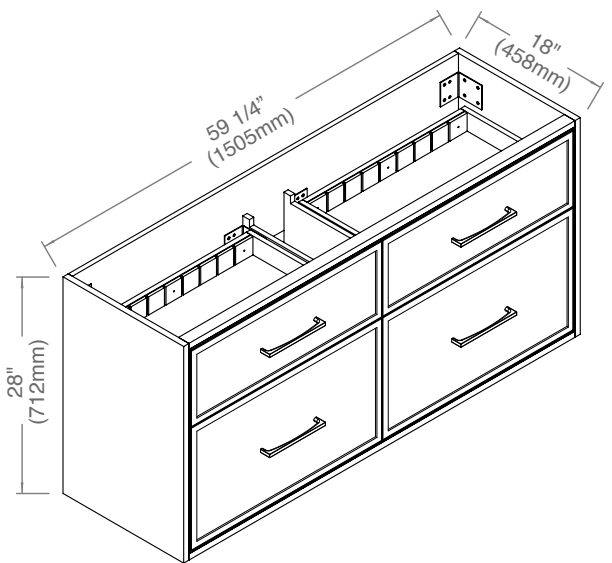
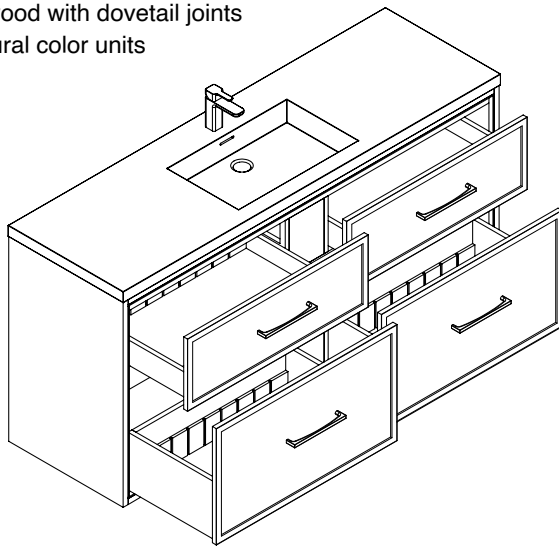
- X-Stone 1-1/2"H top/basin
- X-Stone Countertop
- Quartzstone 3/4"H countertop with ceramic basin

Package Dimensions

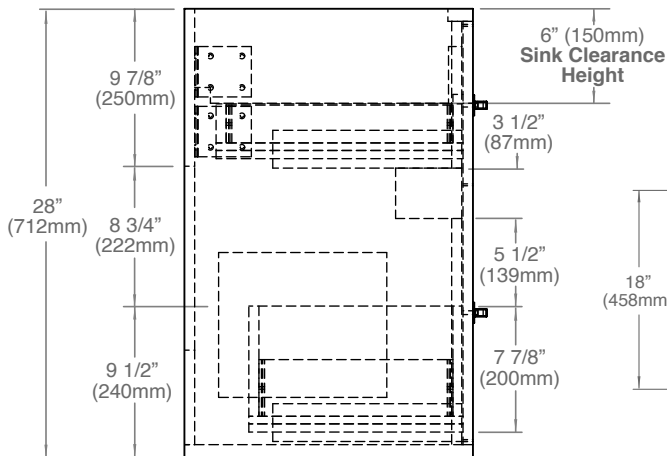
61 5/8"(1565mm) x 21"(533mm) x 31-5/8"(803mm)

Weight

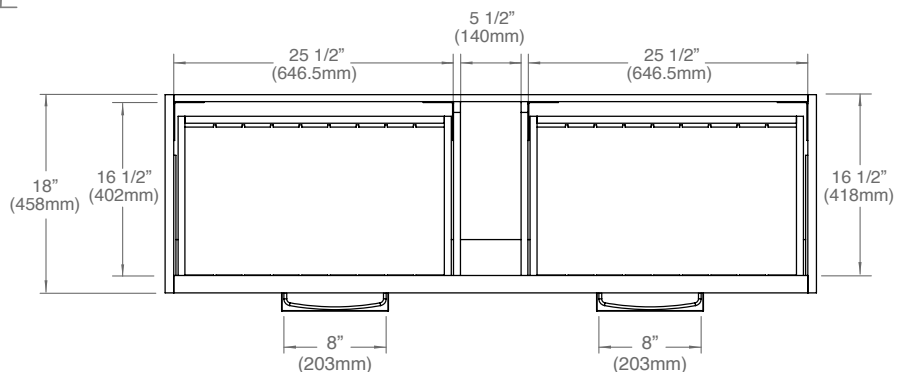
168 lbs / 76 kgs



SIDE VIEW



TOP VIEW



For clarification, please contact Madeli Customer Care at (800) 819-6988 Ext.1 or service@madeli.com

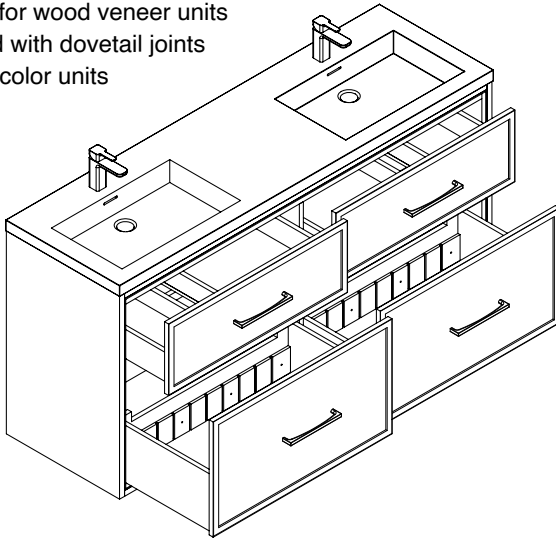
All dimensions are approximate and subject to standard tolerance. Specifications subject to change without prior notice.

Edge/Profile - 60"/72" Double Bowl

Cabinet Specifications

Features

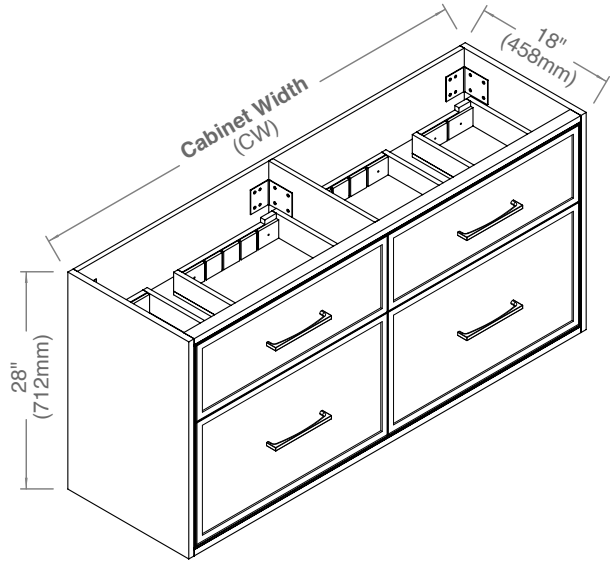
- Edge-Wall Hung Vanity or Profile-Free Standing Vanity
- Bathroom Furniture grade plywood layered with solid wood veneer protected by polyurethane or finished with premium polyurethane solid color paints
- Matching finish inside out
- Four fully adjustable drawers with full-extension soft-close European hardware
- Top and Bottom drawers include adjustable tempered glass dividers
- Handle/Inlay finish options: polished chrome (PC), brushed nickel (BN), polished nickel (PN), matte black (MB) and satin brass (SB)
- Drawer Boxes:
 - Matching color for solid color units
 - Light grey for wood veneer units
 - Solid wood with dovetail joints for natural color units



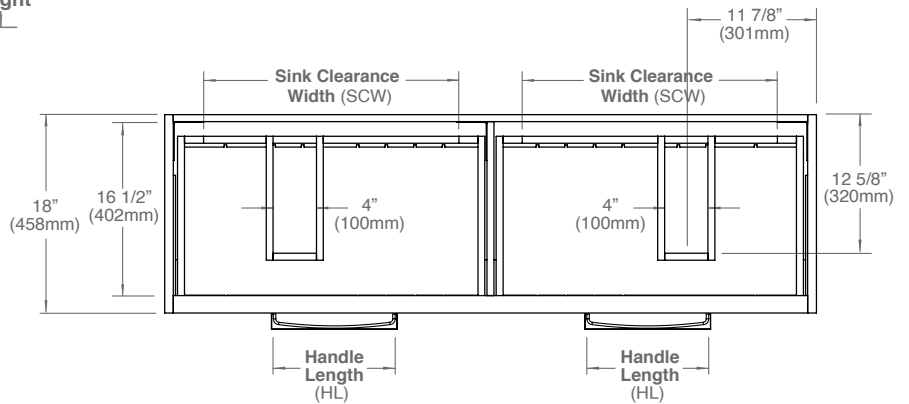
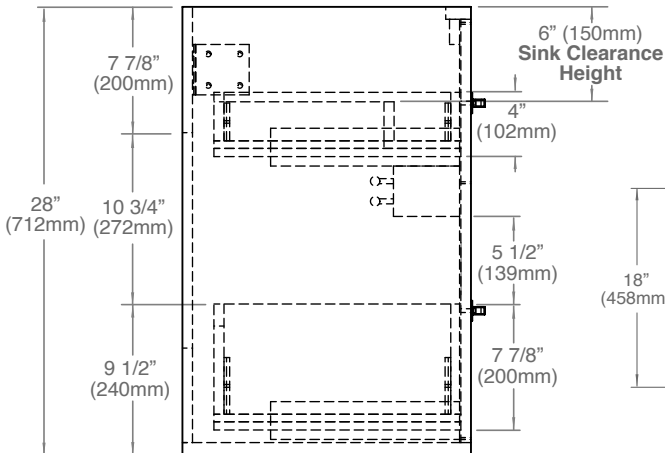
SIDE VIEW

Top/Basin options

- X-Stone 1-1/2"H top/basin
- X-Stone 4-1/2"H Trough sink
- Quartzstone 3/4"H countertop with ceramic basin



TOP VIEW



MODEL	CW	SCW	HL (C.C.)	Package Dimensions	Weight
B450/460-60D-00X-XX	59 1/4" (1505mm)	23 7/8" (607mm)	8" (203mm)	61 5/8" (1565)x21" (533)x31-5/8" (803)	168 lbs / 76 kgs
B450/460-72D-00X-XX	71 1/16" (1805mm)	29 3/4" (757mm)	11" (279mm)	73 3/8" (1865)x21" (533)x31-5/8" (803)	183 lbs / 83 kgs

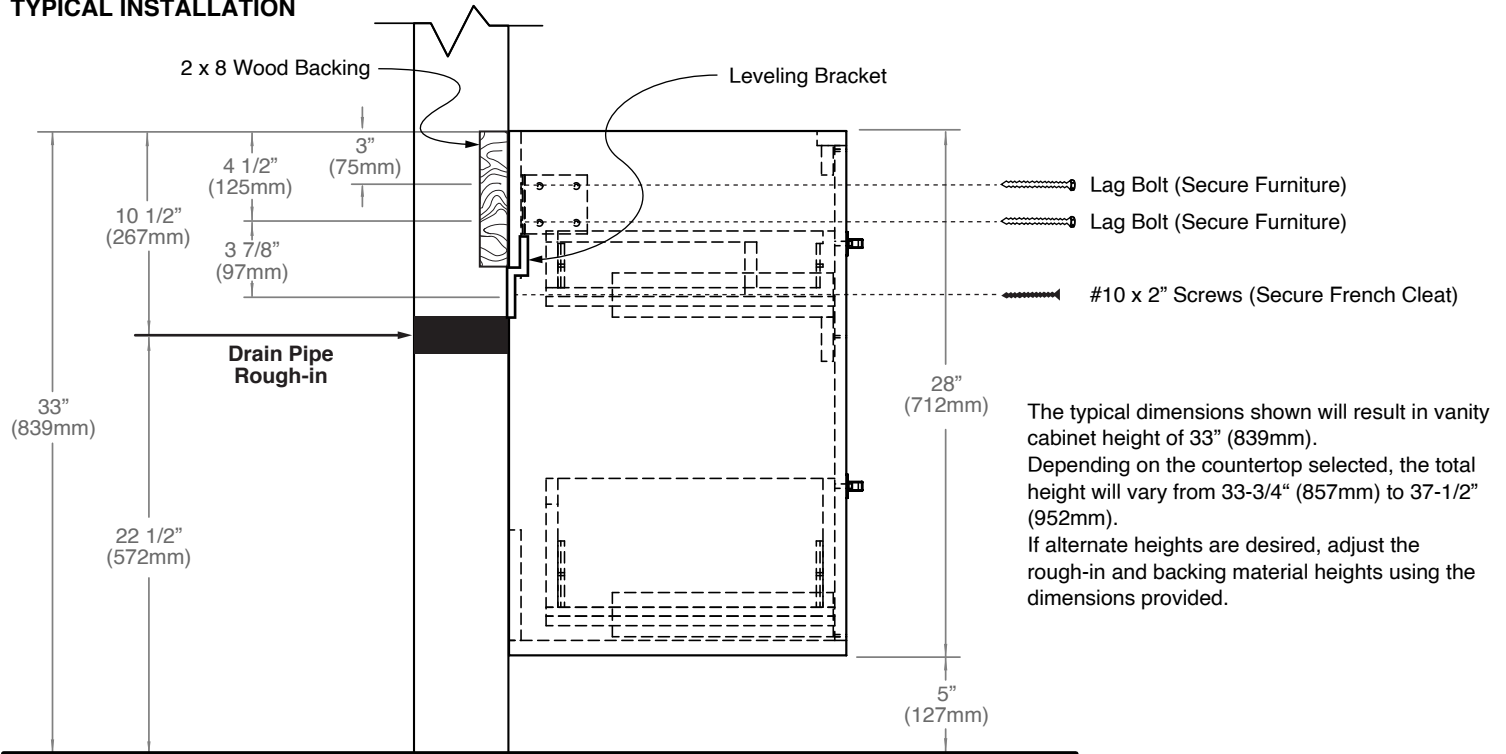
For clarification, please contact Madeli Customer Care at (800) 819-6988 Ext.1 or service@madeli.com

All dimensions are approximate and subject to standard tolerance. Specifications subject to change without prior notice.

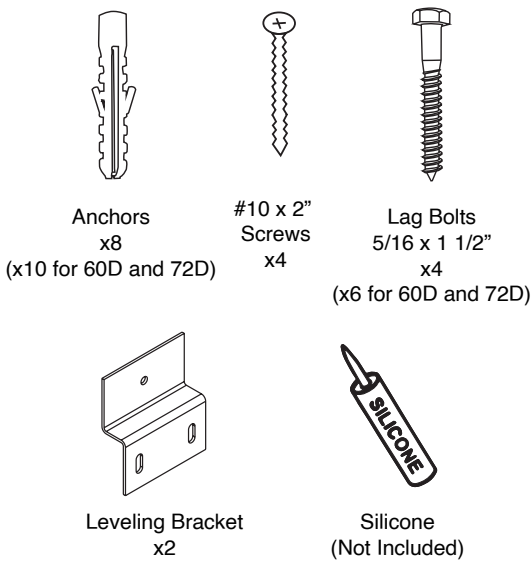
Edge - WALL HUNG VANITY

Installation Guide

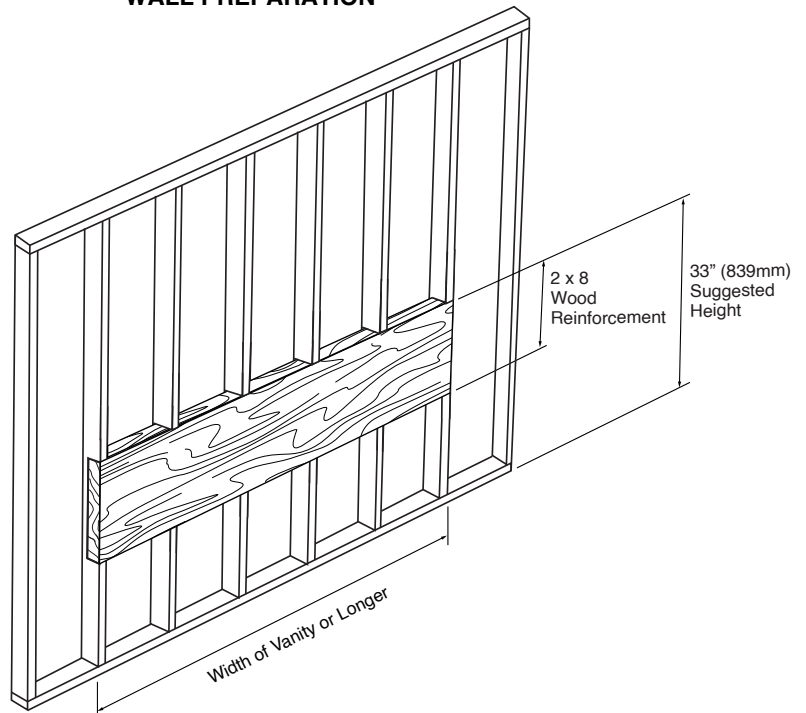
TYPICAL INSTALLATION



ACCESSORIES FOR INSTALLATION



WALL PREPARATION



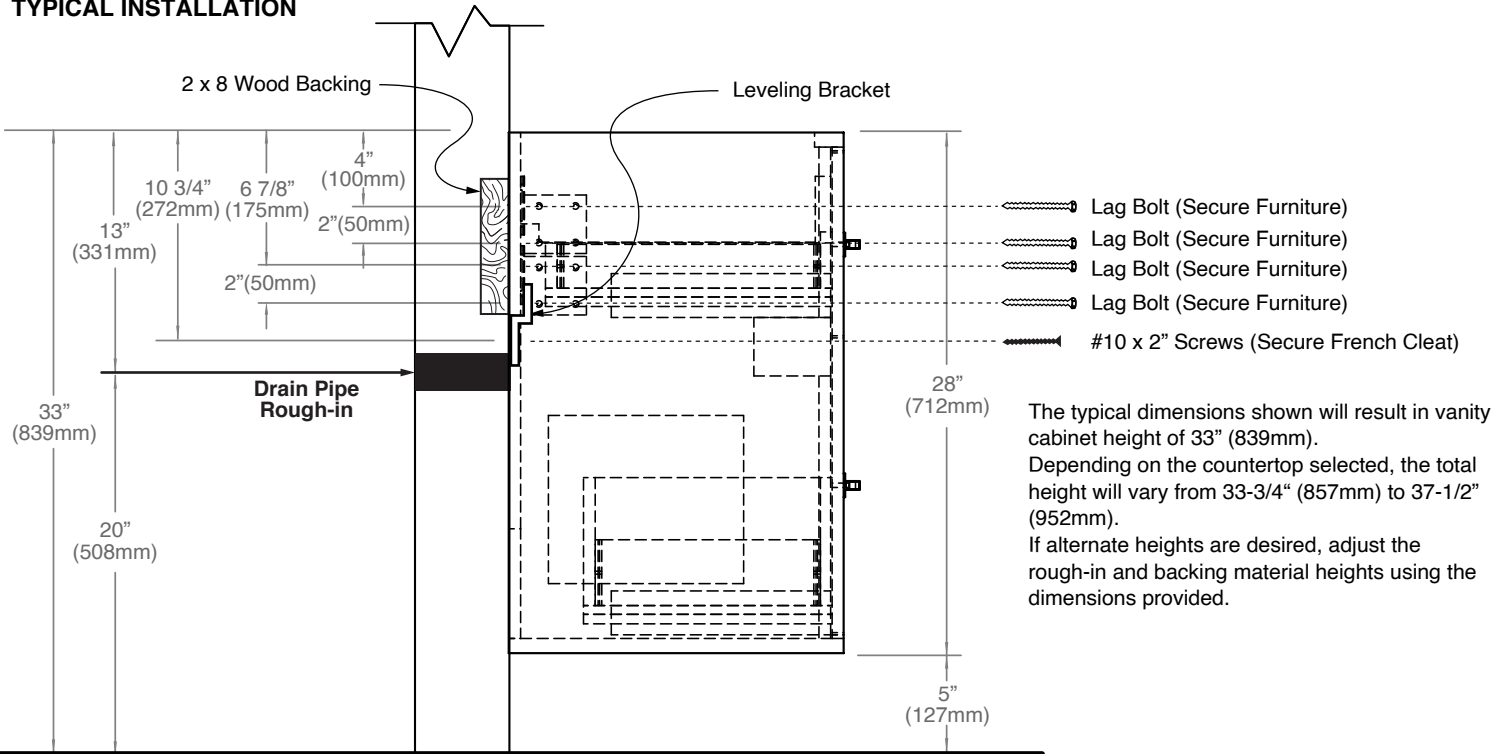
For clarification, please contact Madeli Customer Care at (800) 819-6988 Ext.1 or service@madeli.com

All dimensions are approximate and subject to standard tolerance. Specifications subject to change without prior notice.

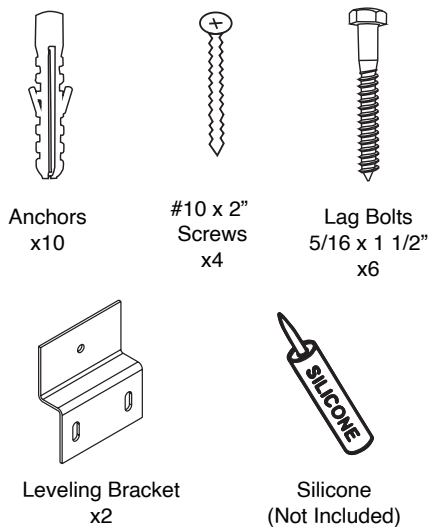
Edge - WALL HUNG VANITY

Installation Guide

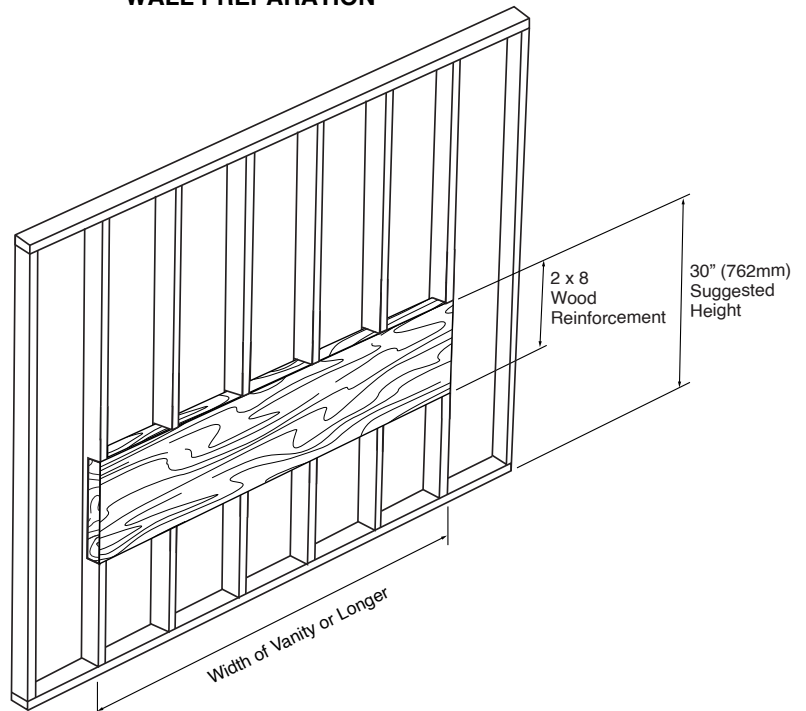
TYPICAL INSTALLATION



ACCESSORIES FOR INSTALLATION



WALL PREPARATION

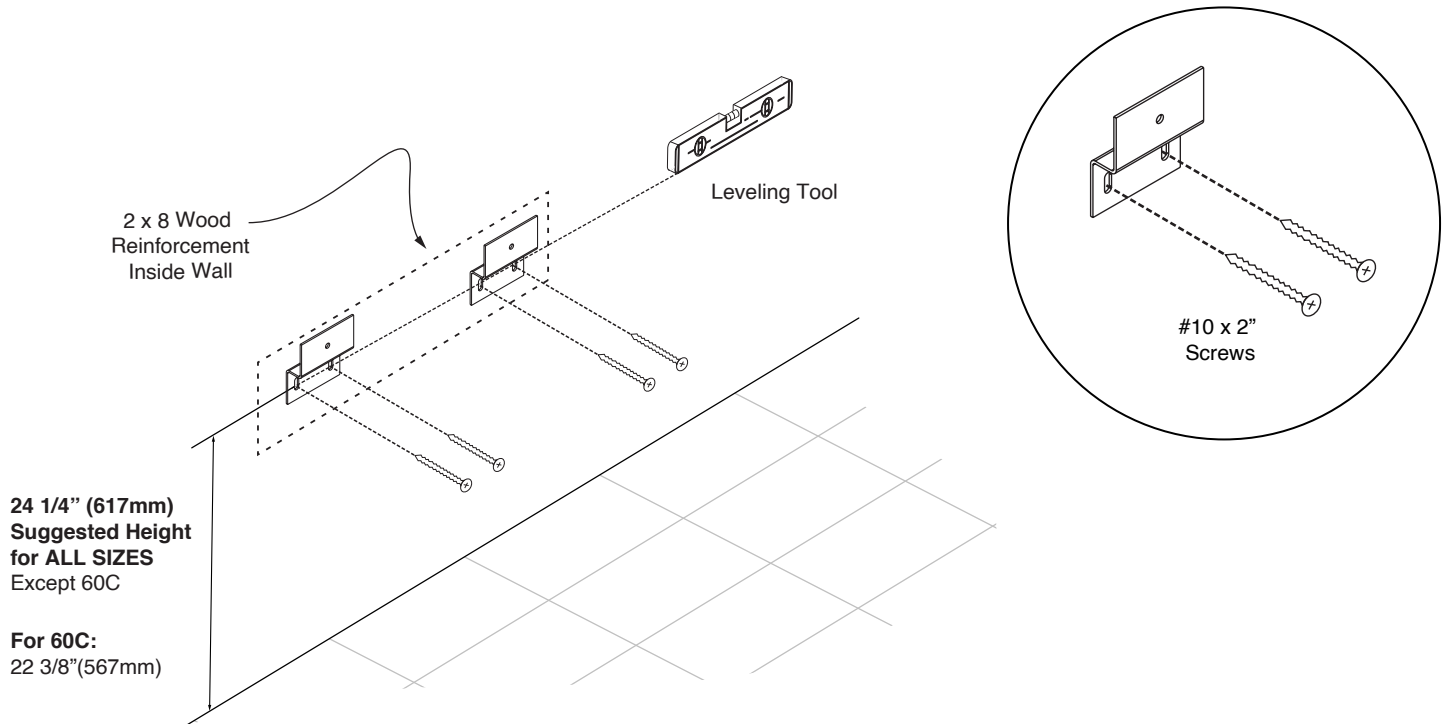


For clarification, please contact Madeli Customer Care at (800) 819-6988 Ext.1 or service@madeli.com
All dimensions are approximate and subject to standard tolerance. Specifications subject to change without prior notice.

Edge - WALL HUNG VANITY

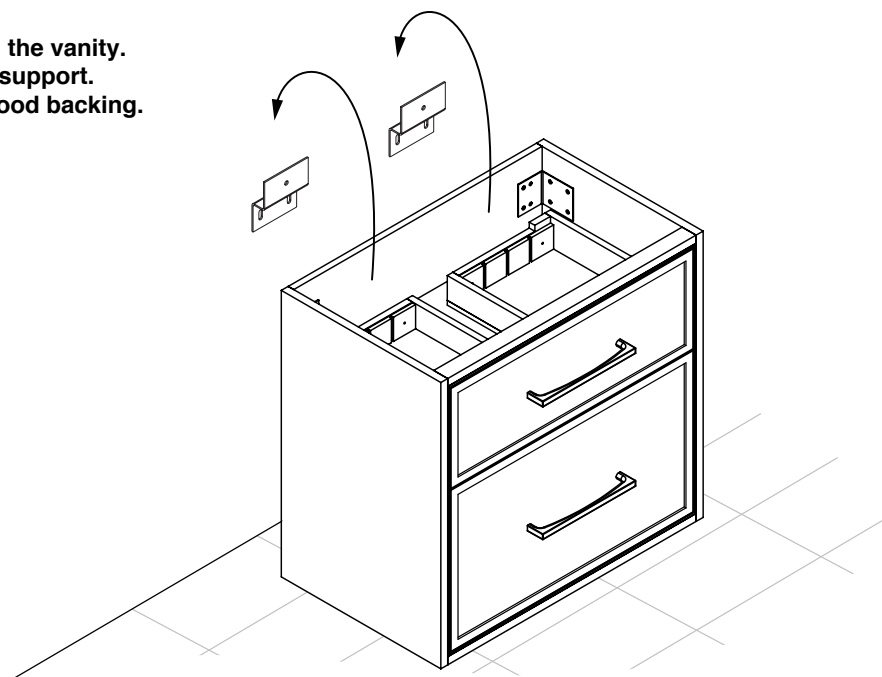
Installation Guide

STEP 1: Install leveling brackets



STEP 2: Place vanity on leveling bracket.

**The leveling brackets are only to level the vanity.
They are not designed for permanent support.
The cabinet needs to be secured to wood backing.**



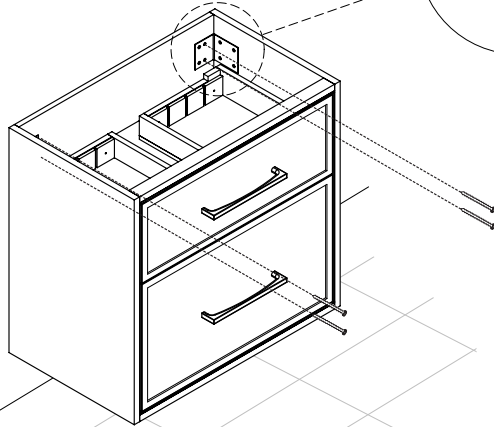
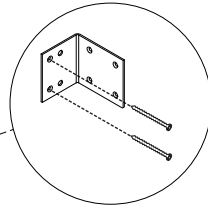
For clarification, please contact Madeli Customer Care at (800) 819-6988 Ext.1 or service@madeli.com
All dimensions are approximate and subject to standard tolerance. Specifications subject to change without prior notice.

Edge - WALL HUNG VANITY

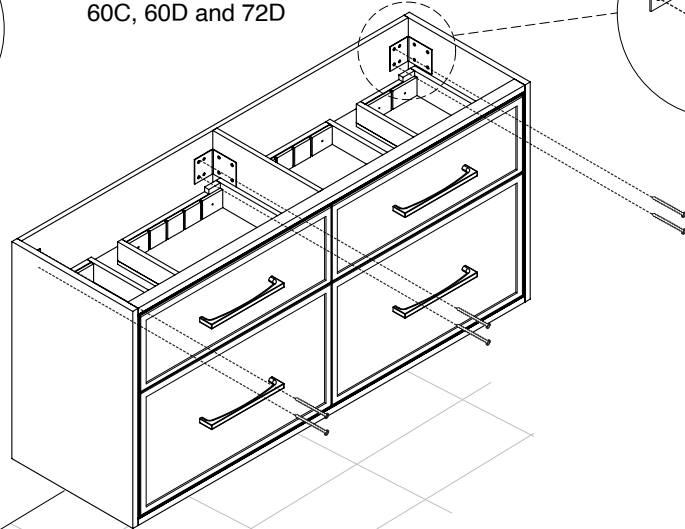
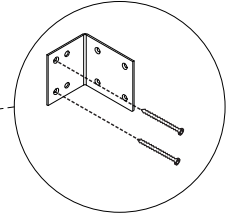
Installation Guide

STEP 3: Secure vanity to wood reinforcement backing.

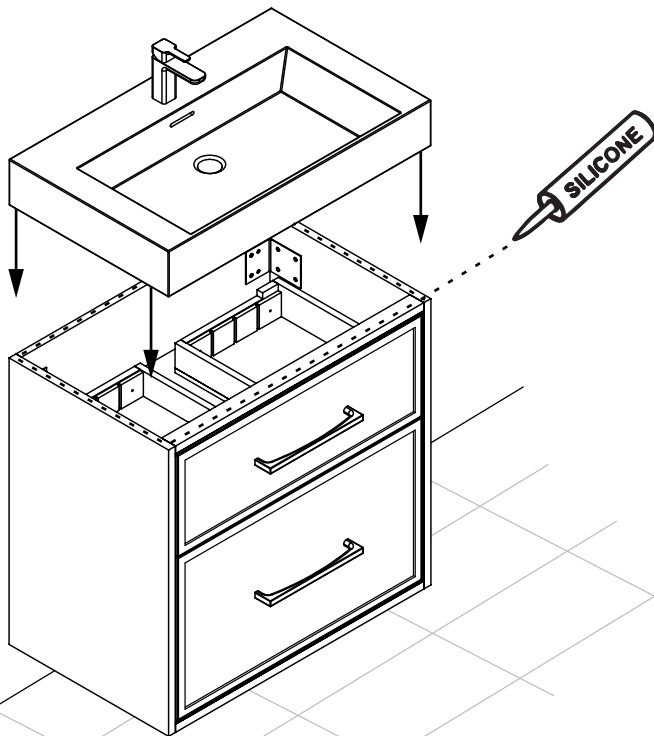
4 Screws for sizes
24, 30, 36, 42, 48C and 48D



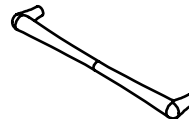
6 Screws for sizes
60C, 60D and 72D



STEP 4: Install countertop with silicone and handle as shown below.



HANDLE OPTIONS



R-HANDLE

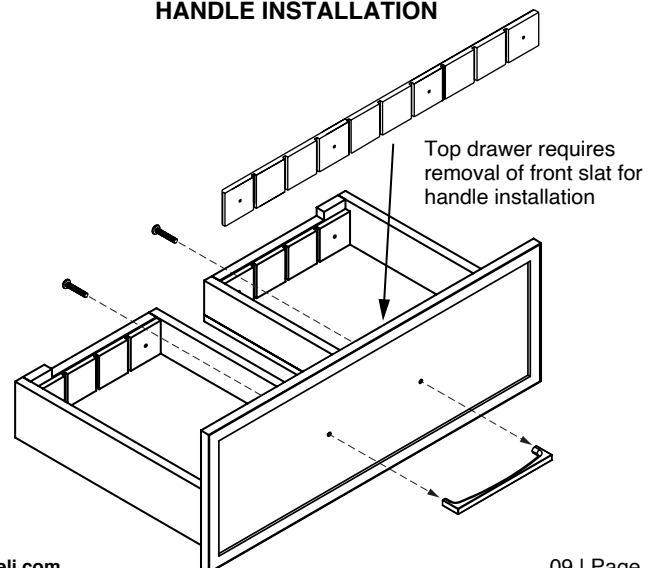


Y-HANDLE



HP-HANDLE

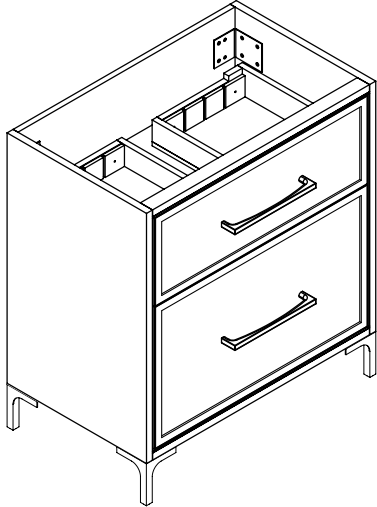
HANDLE INSTALLATION



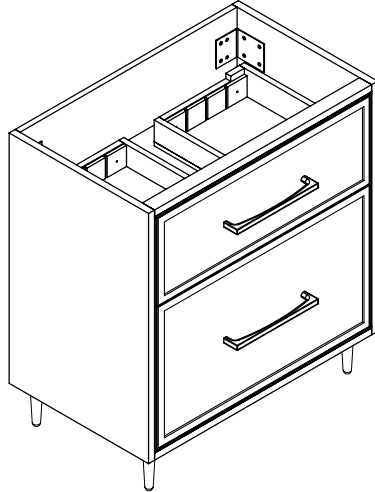
For clarification, please contact Madeli Customer Care at (800) 819-6988 Ext.1 or service@madeli.com
All dimensions are approximate and subject to standard tolerance. Specifications subject to change without prior notice.

Profile - FREE STANDING VANITY

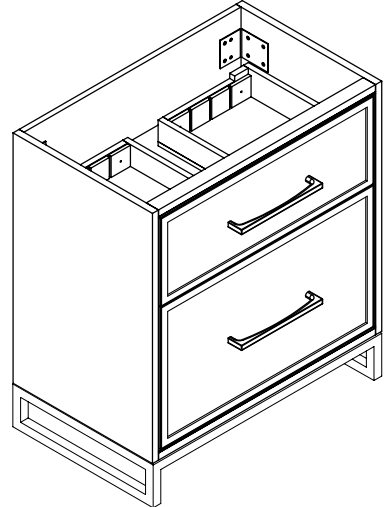
Y-FEET



R-FEET



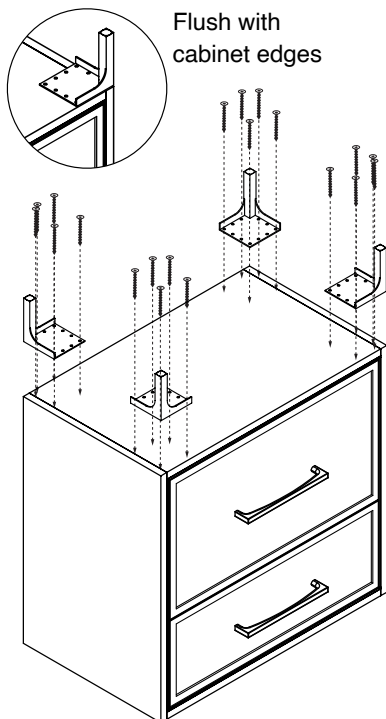
C-BASE



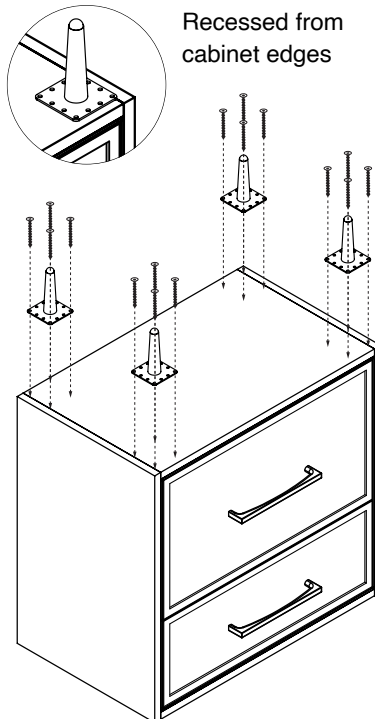
FEET/BASE INSTALLATION

1. Flip cabinet in the upside down position.
 2. Mark screw locations using legs/base as template.
 3. Pre-drill holes with 5/64", 3/32" or 7/64" drill bit about 1/2" deep.
 4. Using provided screws, fix legs/base to cabinet as shown below.
- If using a regular battery drill, set clutch to minimum and increase setting as needed.
DO NOT OVER TIGHTEN THE SCREWS. DOING SO WILL SPLIT THE WOOD SIDE PANEL.

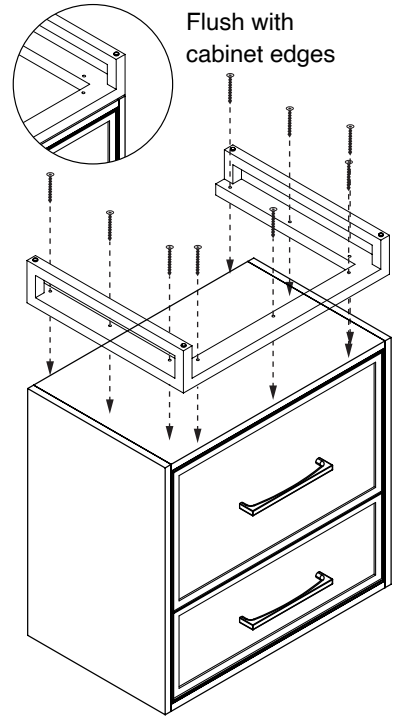
Y-FEET INSTALLATION



R-FEET INSTALLATION



C-BASE INSTALLATION

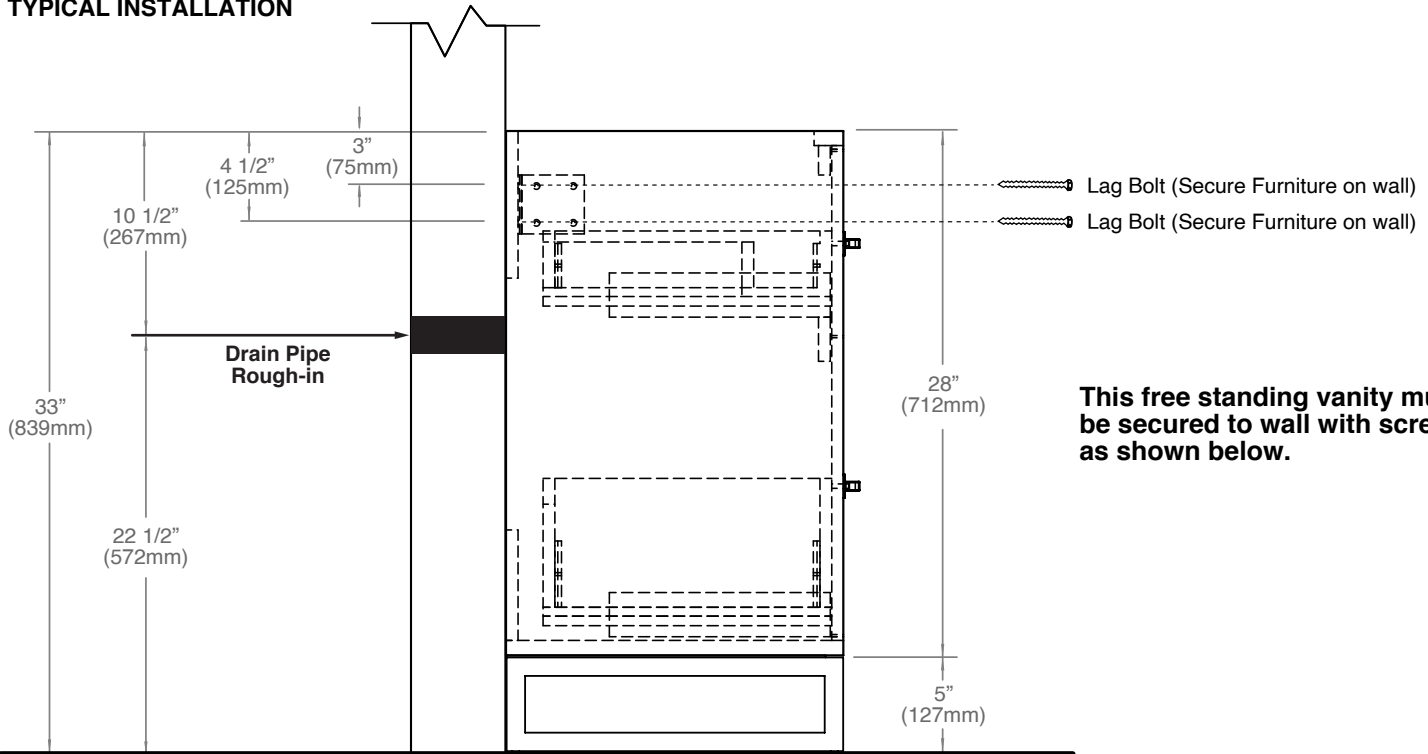


For clarification, please contact Madeli Customer Care at (800) 819-6988 Ext.1 or service@madeli.com
 All dimensions are approximate and subject to standard tolerance. Specifications subject to change without prior notice.

Profile - FREE STANDING VANITY

Installation Guide

TYPICAL INSTALLATION

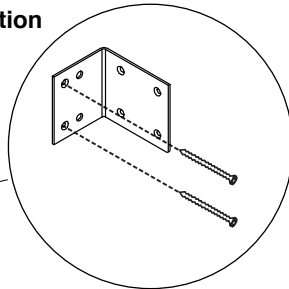


SECURE CABINET TO WALL

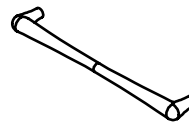
See step 4 (page 9) for countertop installation

4 Screws for sizes
24, 30, 36, 42, 48C and 48D

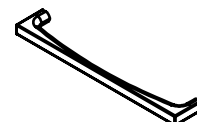
6 Screws for sizes
60D and 72D



HANDLE OPTIONS



R-HANDLE

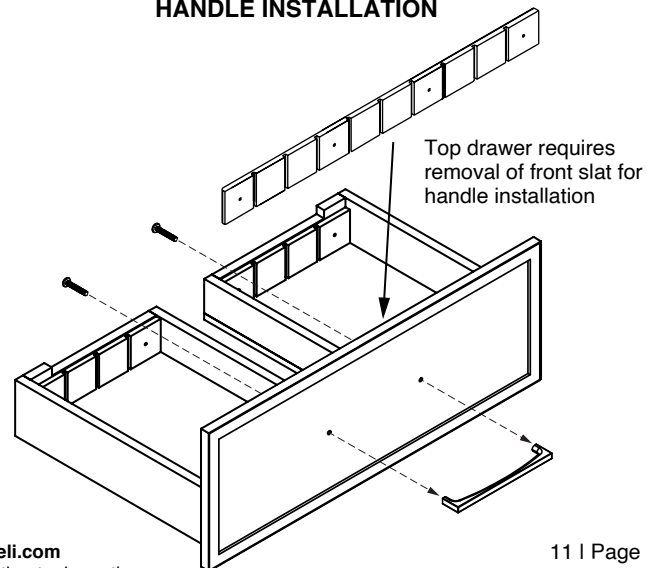


Y-HANDLE



HP-HANDLE

HANDLE INSTALLATION



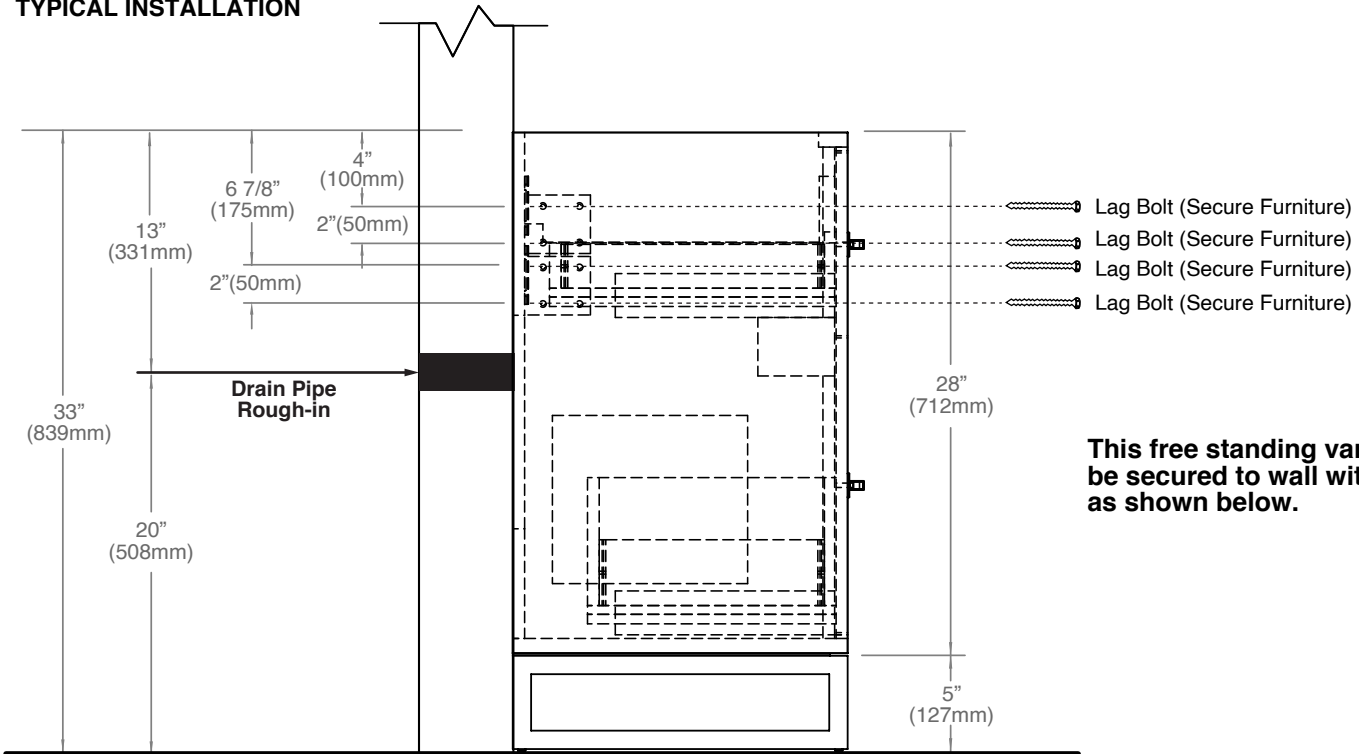
For clarification, please contact Madeli Customer Care at (800) 819-6988 Ext.1 or service@madeli.com

All dimensions are approximate and subject to standard tolerance. Specifications subject to change without prior notice.

Profile - FREE STANDING VANITY

Installation Guide

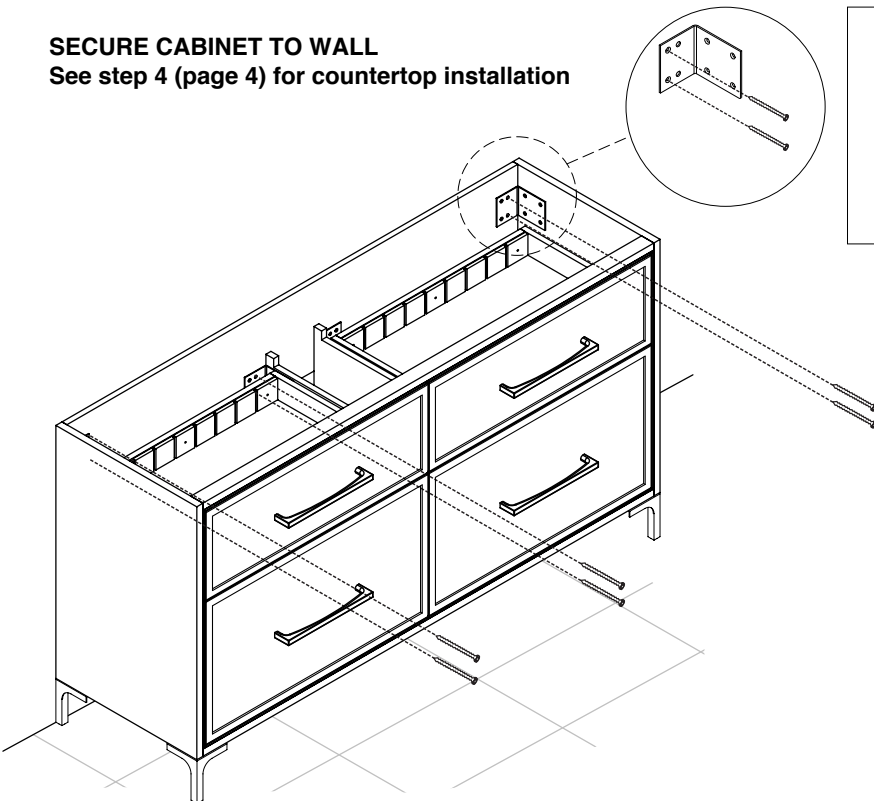
TYPICAL INSTALLATION



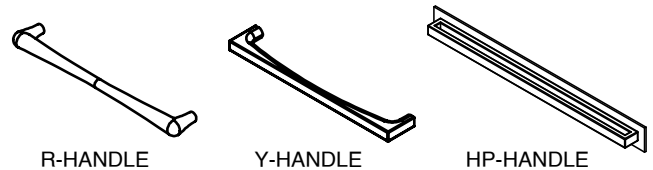
This free standing vanity must be secured to wall with screws as shown below.

SECURE CABINET TO WALL

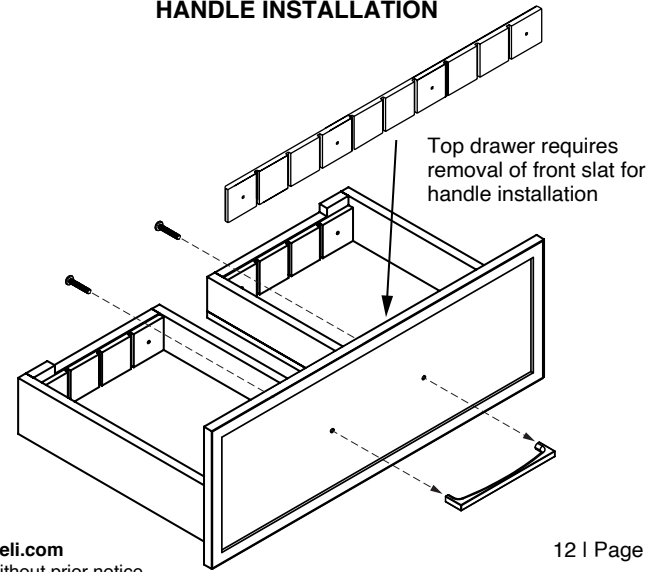
See step 4 (page 4) for countertop installation



HANDLE OPTIONS



HANDLE INSTALLATION



For clarification, please contact Madeli Customer Care at (800) 819-6988 Ext.1 or service@madeli.com
All dimensions are approximate and subject to standard tolerance. Specifications subject to change without prior notice.