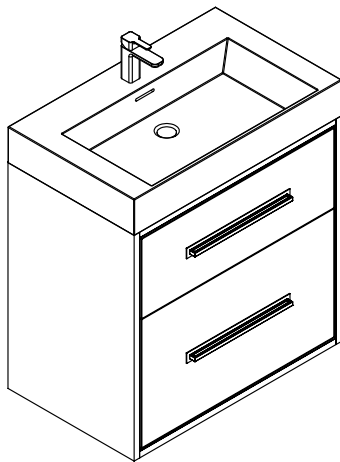


## Specifications and Installation Guide

### B450-Apogee Wall Hung Vanity Collection

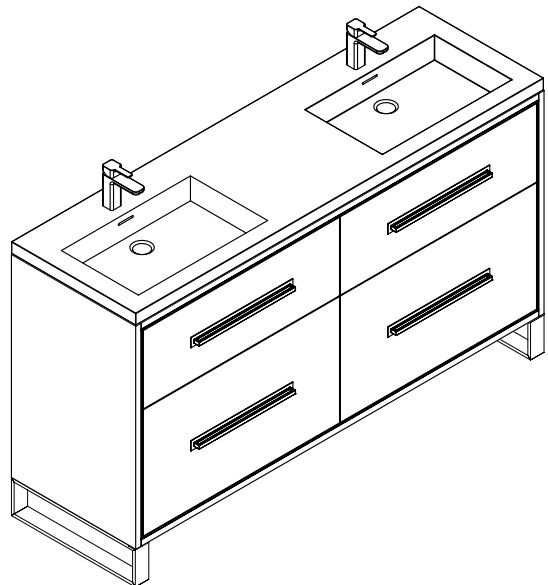
**Models**

- B450-24-002-XX
- B450-30-002-XX
- B450-36-002-XX
- B450-42-002-XX
- B450-48C-002-XX
- B450-48D-002-XX
- B450-60C-002-XX
- B450-60D-002-XX
- B450-72D-002-XX



### B460-Pinnacle Free Standing Vanity Collection

- B460-24-001-XX
- B460-30-001-XX
- B460-36-001-XX
- B460-42-001-XX
- B460-48C-001-XX
- B460-48D-001-XX
- B460-60C-001-XX
- B460-60D-001-XX
- B460-72D-001-XX



## Table of Contents

	Page / Page
Specifications 24/30/36/42/48C.....	2
Specifications 48D.....	3
Specifications 60C.....	4
Specifications 60D/72D.....	5
Typical Installation: <b>Wall Hung</b> /B450-Apogee.....	6-7
Installation Steps: <b>Wall Hung</b> /B450-Apogee.....	8-9
Feet/Base Installation: <b>Free Standing</b> /B460-Pinnacle.....	10
Typical Installation: <b>Free Standing</b> /B460-Pinnacle.....	11-12

For clarification, please contact Madeli Customer Care at (800) 819-6988 Ext.1 or [service@madeli.com](mailto:service@madeli.com)  
 Pour plus de précisions, veuillez contacter le service client Madeli au (800) 819-6988 Ext.1 ou [service@madeli.com](mailto:service@madeli.com)

## Apogee/Pinnacle - 24"/30"/36"/42"/48" - Single Bowl

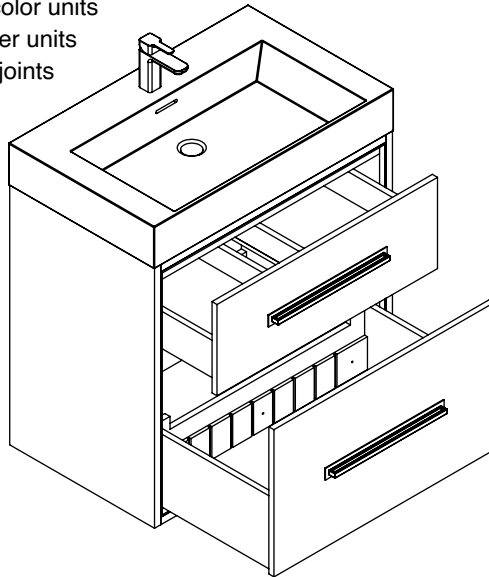
## Cabinet Specifications

### Features

- Apogee-Wall Hung Vanity or Pinnacle-Free Standing Vanity
- Bathroom Furniture grade plywood layered with solid wood veneer protected by polyurethane or finished with premium polyurethane solid color paints
- Matching finish inside out
- Two fully adjustable drawers with full-extension soft-close European hardware.
- Top and Bottom drawers include adjustable tempered glass dividers
- Handle/Inlay finish options: polished chrome (PC), brushed nickel (BN), polished nickel (PN), matte black (MB) and satin brass (SB)

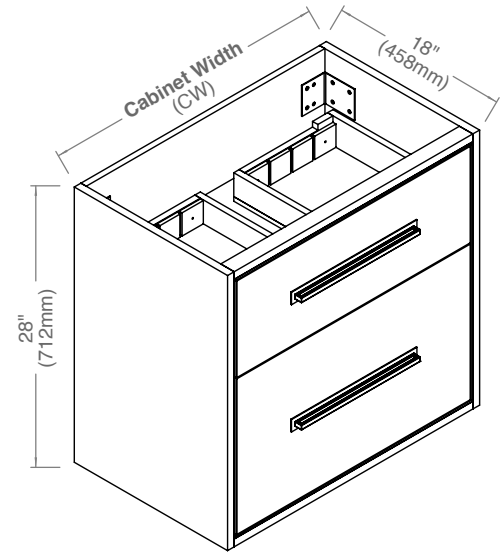
### Drawer Boxes:

- Matching color for solid color units
- Light grey for wood veneer units
- Solid wood with dovetail joints for natural color units

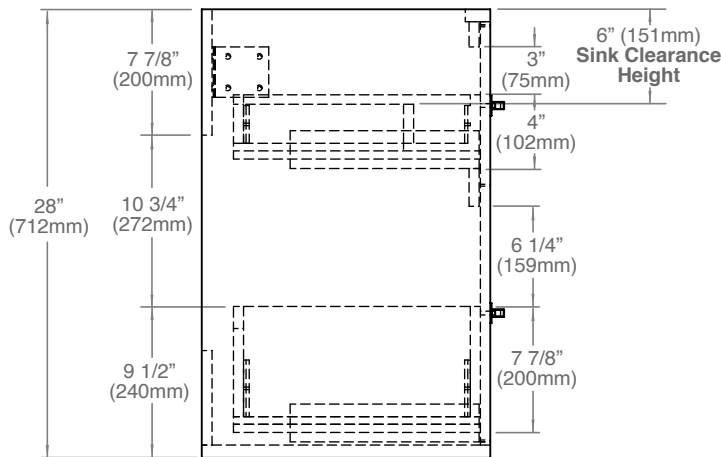


### Top/Basin options

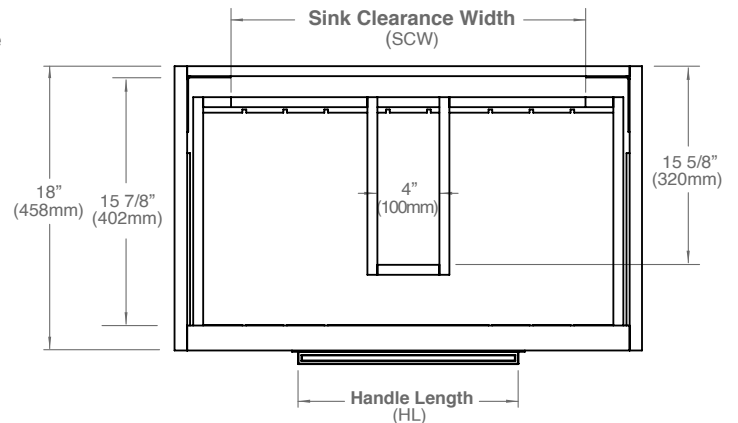
- Ceramic basins up to 36"
- X-Stone 1-1/2"H top/basin for all sizes
- X-Stone 4-1/2"H Trough sink for all sizes
- Quartzstone 3/4"H countertop with ceramic basin for all sizes



### SIDE VIEW



### TOP VIEW



MODEL	CW	SCW	HL	Package Dimensions	Weight
B450/460-24-00X-XX	23 5/8" (600mm)	19" (482mm)	10 5/8" (270mm)	26"(660)x21"(533)x31-5/8"(803)	75 lbs / 34 Kgs
B450/460-30-00X-XX	29 5/8" (753mm)	22 3/8" (569mm)	14" (355mm)	32"(813)x21"(533)x31-5/8"(803)	84 lbs / 38 Kgs
B450/460-36-00X-XX	35 5/8" (905mm)	28 3/8" (721mm)	16" (406mm)	38"(965)x21"(533)x31-5/8"(803)	95 lbs / 43 Kgs
B450/460-42-00X-XX	41 5/8" (1058mm)	34 3/8" (874mm)	19 3/4" (503mm)	44"(1118)x21"(533)x31-5/8"(803)	111 lbs / 51 Kgs
B450/460-48C-00X-XX	47 5/8" (1210mm)	40 3/8" (1026mm)	21 1/2" (545mm)	50"(1270)x21"(533)x31-5/8"(803)	127 lbs / 58 Kgs

For clarification, please contact Madeli Customer Care at (800) 819-6988 Ext.1 or [service@madeli.com](mailto:service@madeli.com)

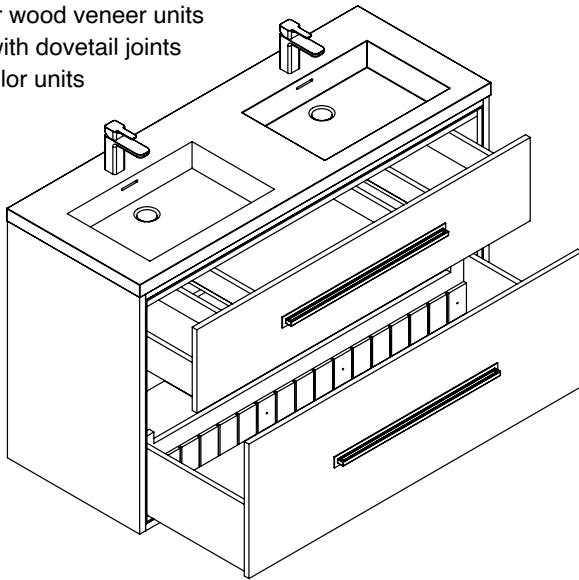
All dimensions are approximate and subject to standard tolerance. Specifications subject to change without prior notice.

## Apogee/Pinnacle - 48" - Double Bowl

## Cabinet Specifications

### Features

- Apogee-Wall Hung Vanity or Pinnacle-Free Standing Vanity
- Bathroom Furniture grade plywood layered with solid wood veneer protected by polyurethane or finished with premium polyurethane solid color paints
- Matching finish inside out
- Two fully adjustable drawers with full-extension soft-close European hardware
- Top and Bottom drawers include adjustable tempered glass dividers
- Handle/Inlay finish options: polished chrome (PC), brushed nickel (BN), polished nickel (PN), matte black (MB) and satin brass (SB)
- Drawer Boxes:
  - Matching color for solid color units
  - Light grey for wood veneer units
  - Solid wood with dovetail joints for natural color units



### Top/Basin options

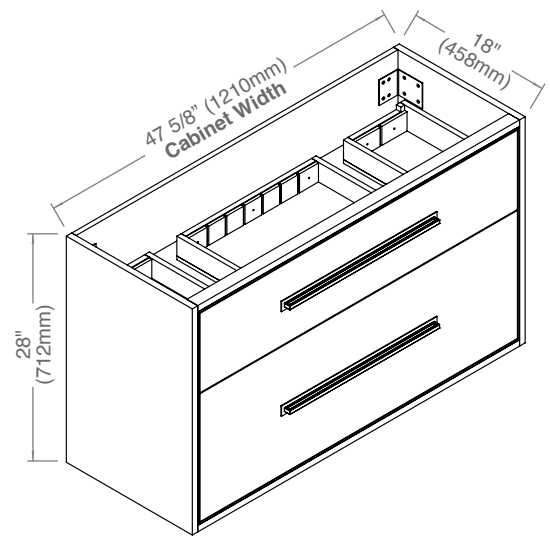
- X-Stone 1-1/2"H top/basin
- X-Stone 4-1/2"H Trough sink
- Quartzstone 3/4"H countertop with ceramic basin

### Package Dimensions

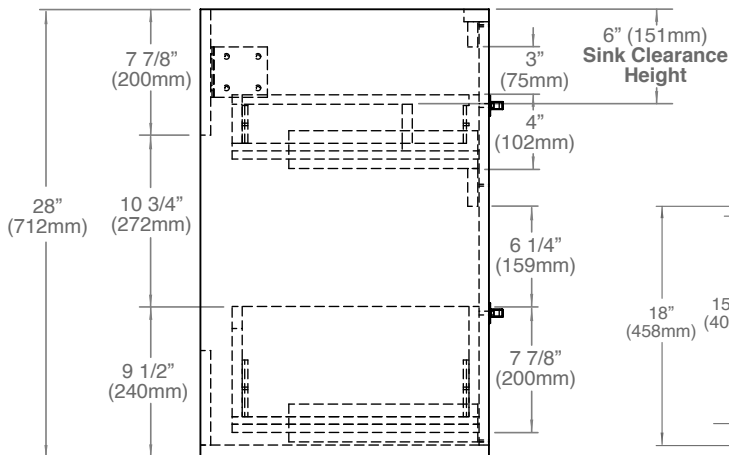
50" (1270mm) x 21" (533mm) x 31-5/8" (803mm)

### Weight

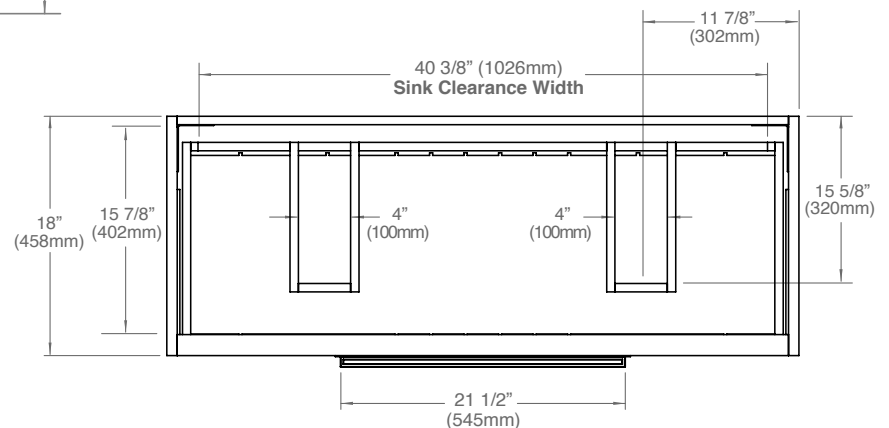
127 lbs / 58 Kgs



### SIDE VIEW



### TOP VIEW



For clarification, please contact Madeli Customer Care at (800) 819-6988 Ext.1 or [service@madeli.com](mailto:service@madeli.com)

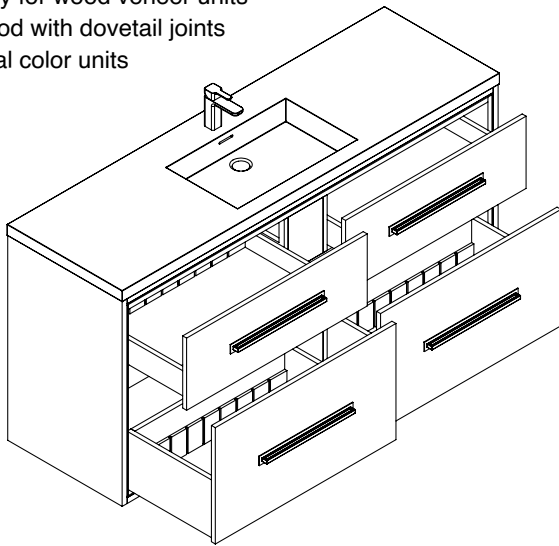
All dimensions are approximate and subject to standard tolerance. Specifications subject to change without prior notice.

## Apogee/Pinnacle - 60" - Single Bowl

## Cabinet Specifications

### Features

- Apogee-Wall Hung Vanity or Pinnacle-Free Standing Vanity
- Bathroom Furniture grade plywood layered with solid wood veneer protected by polyurethane or finished with premium polyurethane solid color paints
- Matching finish inside out.
- Four fully adjustable drawers with full-extension soft-close European hardware.
- Top and Bottom drawers include adjustable tempered glass dividers
- Handle/Inlay finish options: polished chrome (PC), brushed nickel (BN), polished nickel (PN), matte black (MB) and satin brass (SB)
- Drawer Boxes:
  - Matching color for solid color units
  - Light grey for wood veneer units
  - Solid wood with dovetail joints for natural color units



### Top/Basin options

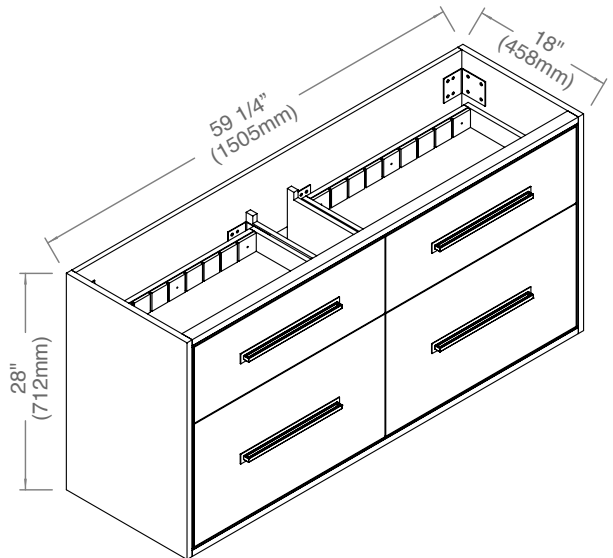
- X-Stone 1-1/2"H top/basin
- X-Stone Countertop
- Quartzstone 3/4"H countertop with ceramic basin

### Package Dimensions

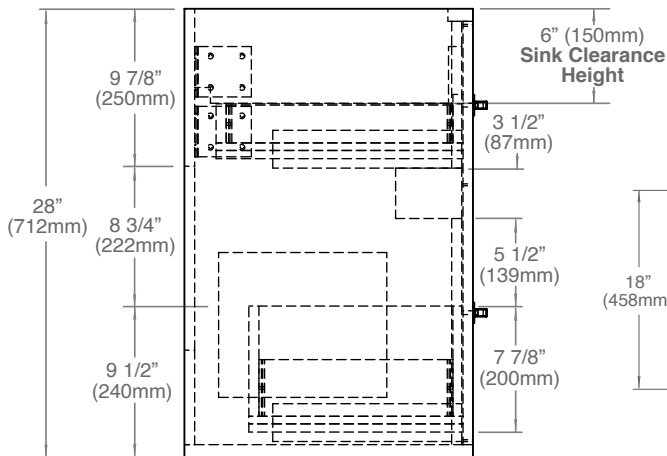
61 5/8" (1565mm) x 21" (533mm) x 31-5/8" (803mm)

### Weight

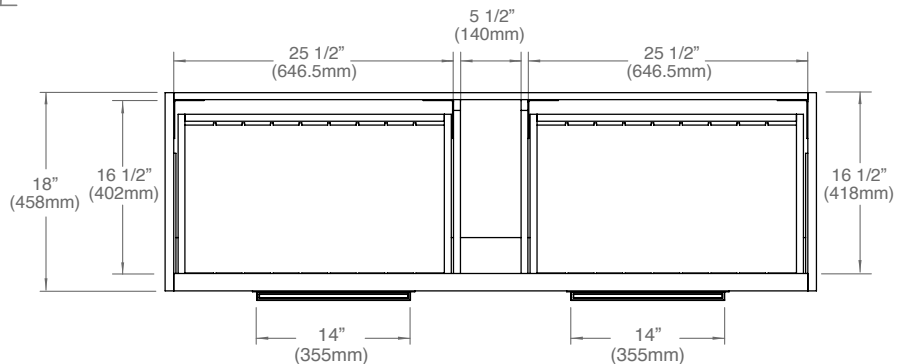
168 lbs / 76 kgs



### SIDE VIEW



### TOP VIEW



For clarification, please contact Madeli Customer Care at (800) 819-6988 Ext.1 or [service@madeli.com](mailto:service@madeli.com)

All dimensions are approximate and subject to standard tolerance. Specifications subject to change without prior notice.

## Apogee/Pinnacle - 60"/72" Double Bowl

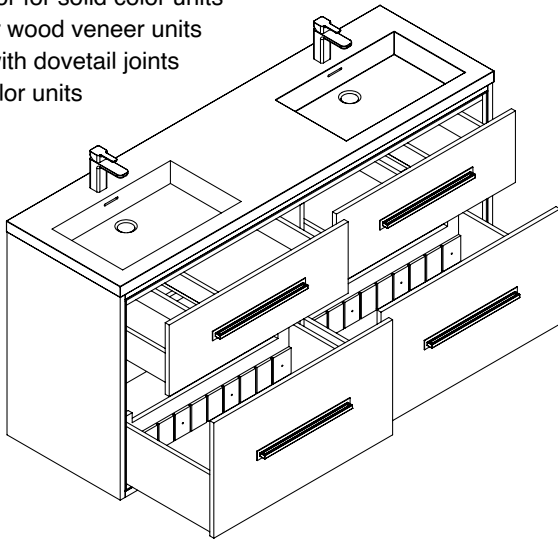
## Cabinet Specifications

### Features

- Apogee-Wall Hung Vanity or Pinnacle-Free Standing Vanity
- Bathroom Furniture grade plywood layered with solid wood veneer protected by polyurethane or finished with premium polyurethane solid color paints
- Matching finish inside out
- Four fully adjustable drawers with full-extension soft-close European hardware
- Top and Bottom drawers include adjustable tempered glass dividers
- Handle/Inlay finish options: polished chrome (PC), brushed nickel (BN), polished nickel (PN), matte black (MB) and satin brass (SB)

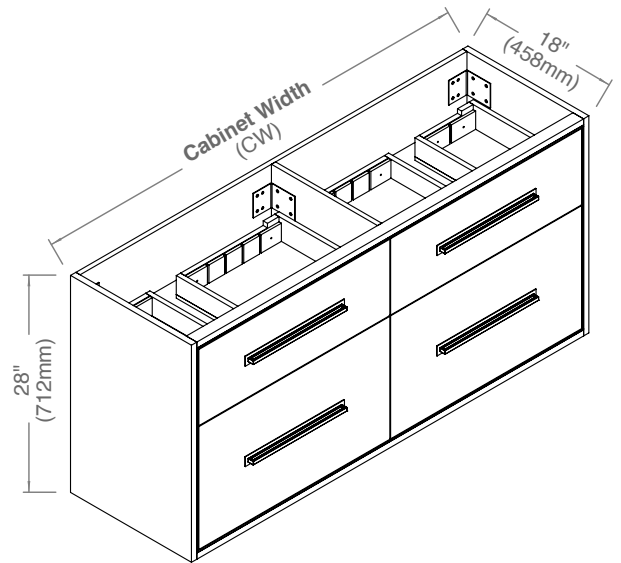
### Drawer Boxes:

- Matching color for solid color units
- Light grey for wood veneer units
- Solid wood with dovetail joints for natural color units

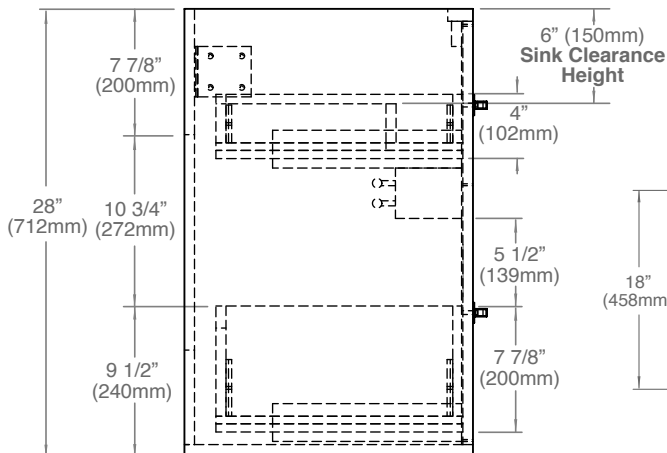


### Top/Basin options

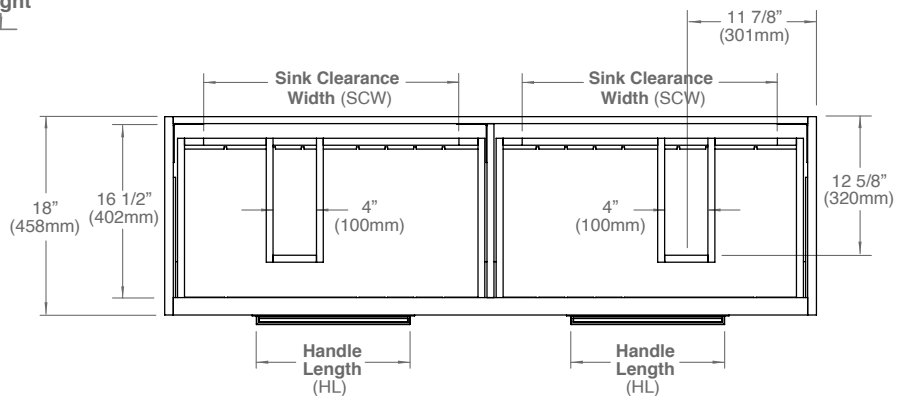
- X-Stone 1-1/2"H top/basin
- X-Stone 4-1/2"H Trough sink
- Quartzstone 3/4"H countertop with ceramic basin



### SIDE VIEW



### TOP VIEW



MODEL	CW	SCW	HL	Package Dimensions	Weight
B450/460-60D-00X-XX	59 1/4" (1505mm)	23 7/8" (607mm)	14" (355mm)	61 5/8" (1565)x21" (533)x31-5/8" (803)	168 lbs / 76 kgs
B450/460-72D-00X-XX	71 1/16" (1805mm)	29 3/4" (757mm)	16" (406mm)	73 3/8" (1865)x21" (533)x31-5/8" (803)	183 lbs / 83 kgs

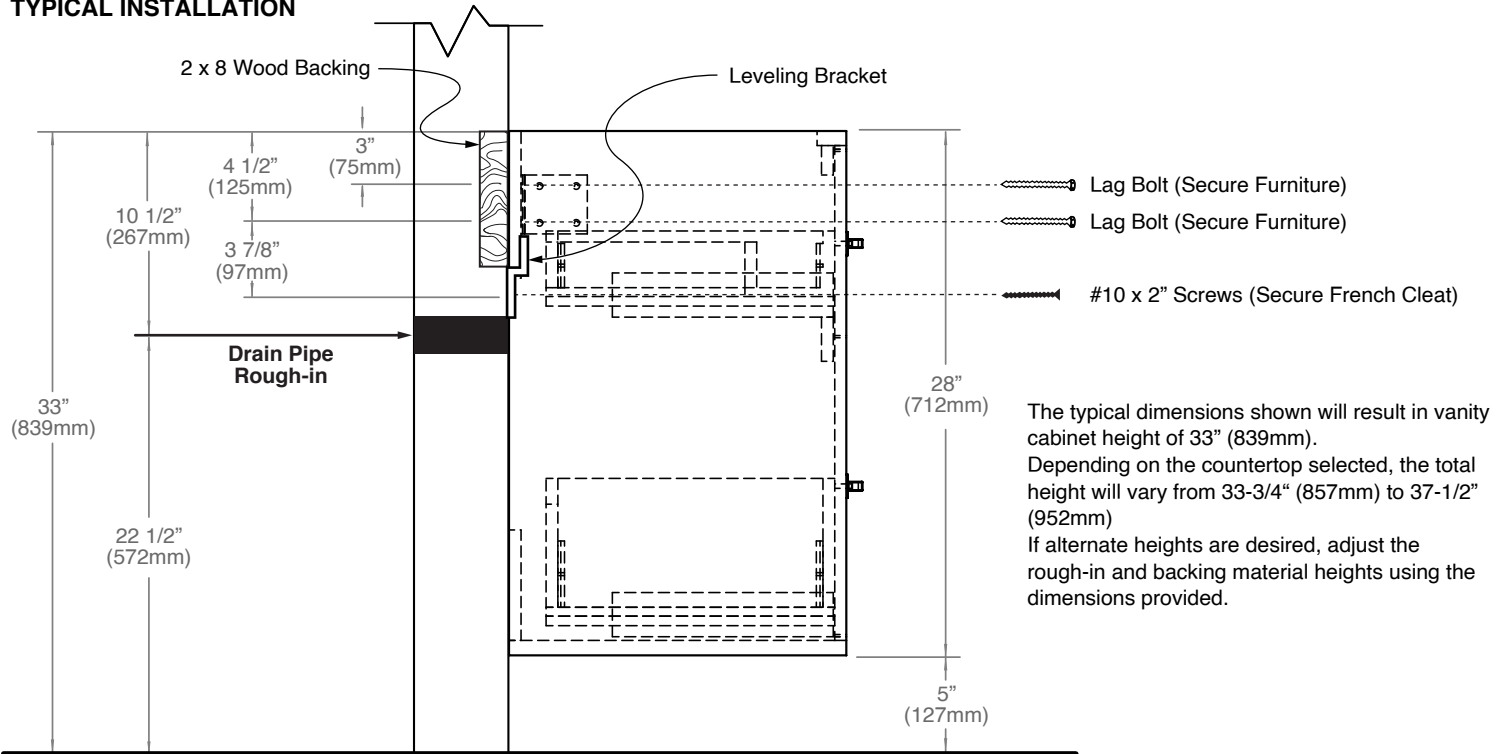
For clarification, please contact Madeli Customer Care at (800) 819-6988 Ext.1 or [service@madeli.com](mailto:service@madeli.com)

All dimensions are approximate and subject to standard tolerance. Specifications subject to change without prior notice.

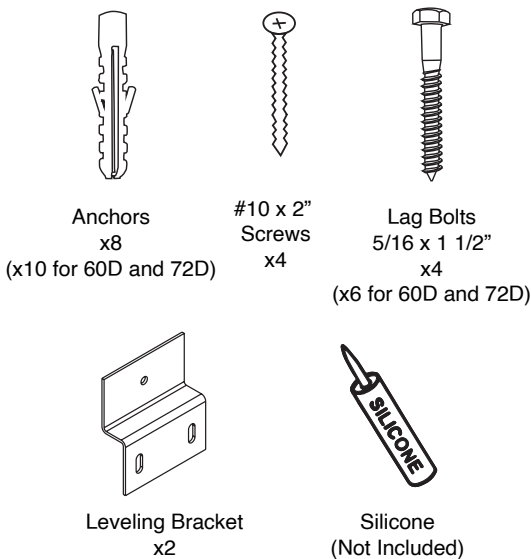
## Apogee - WALL HUNG VANITY

## Installation Guide

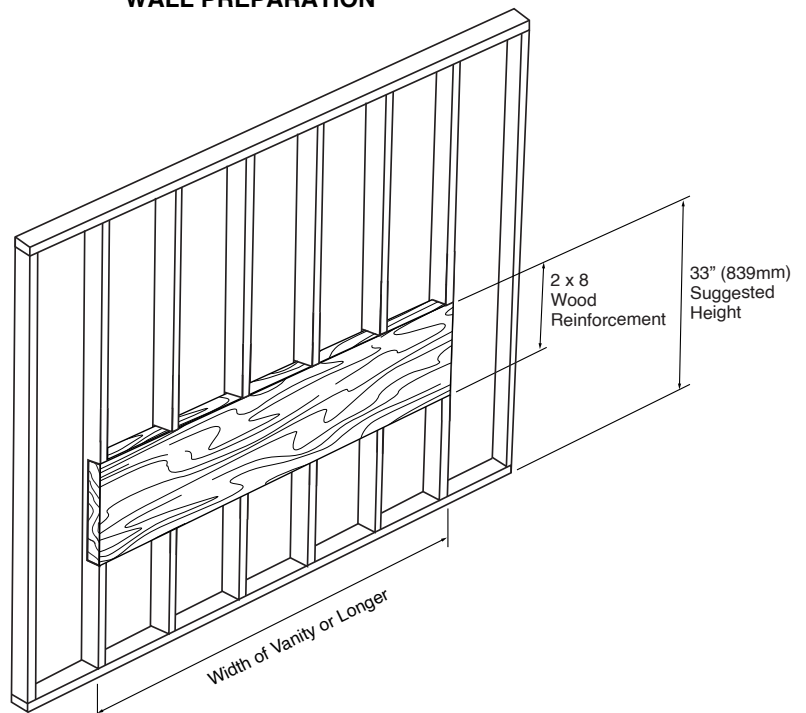
### TYPICAL INSTALLATION



### ACCESSORIES FOR INSTALLATION



### WALL PREPARATION

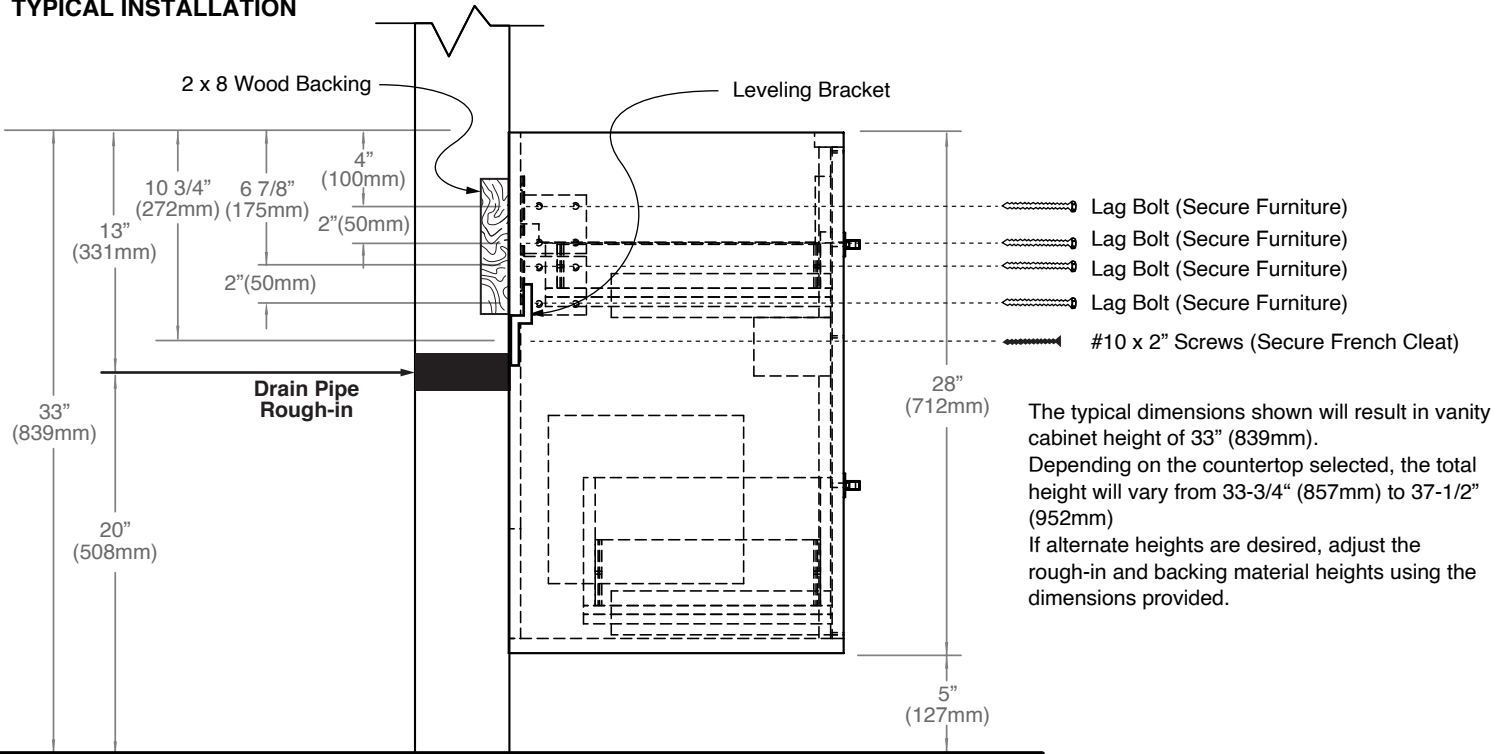


For clarification, please contact Madeli Customer Care at (800) 819-6988 Ext.1 or [service@madeli.com](mailto:service@madeli.com)  
 All dimensions are approximate and subject to standard tolerance. Specifications subject to change without prior notice.

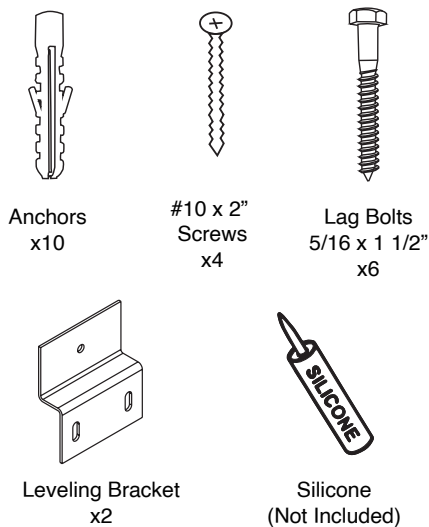
## Apogee - WALL HUNG VANITY

## Installation Guide

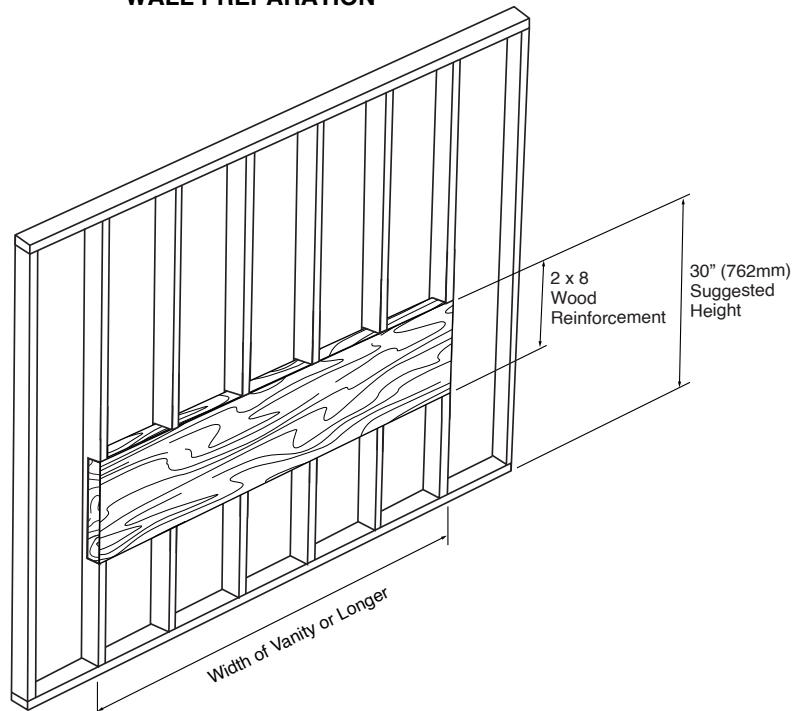
### TYPICAL INSTALLATION



### ACCESSORIES FOR INSTALLATION



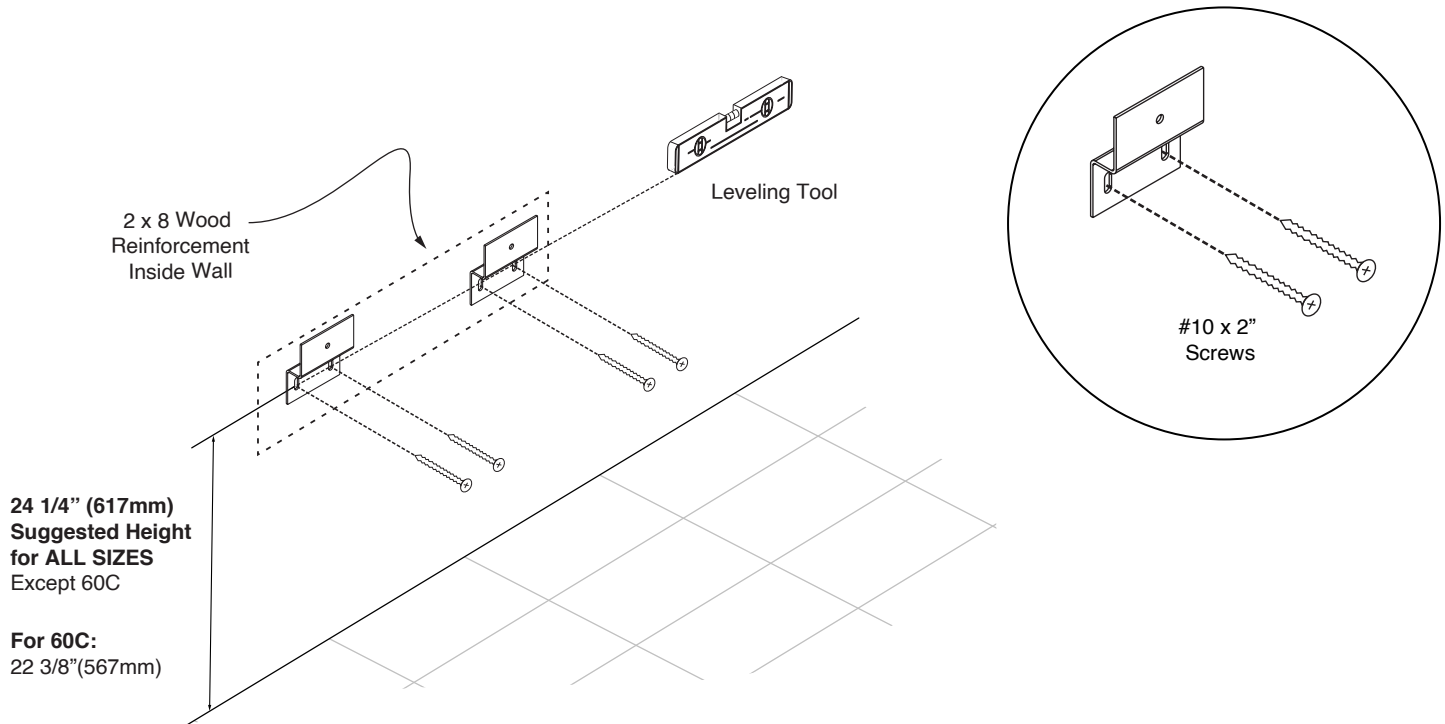
### WALL PREPARATION



## Apogee - WALL HUNG VANITY

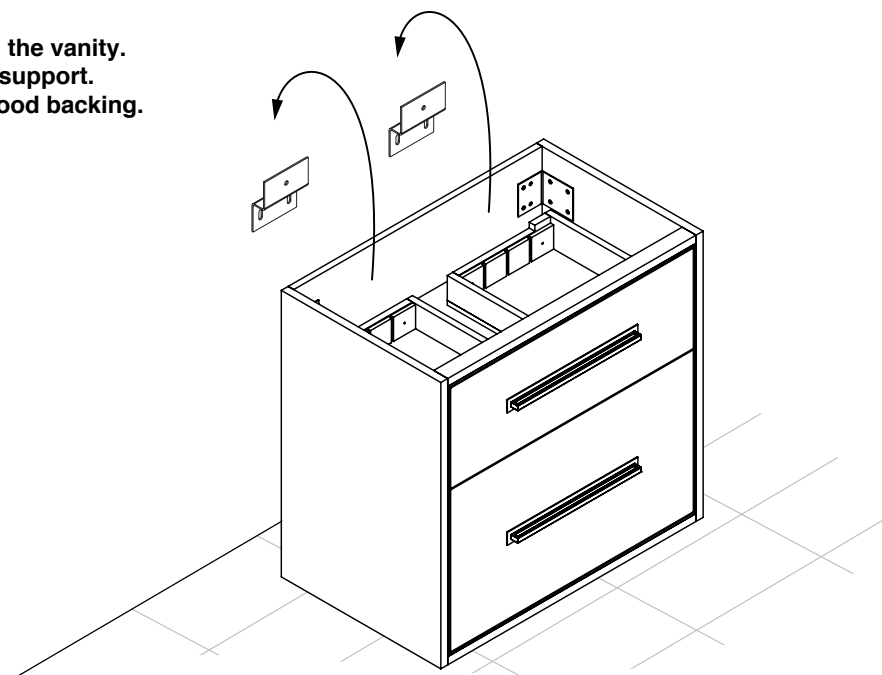
## Installation Guide

### STEP 1: Install leveling brackets



### STEP 2: Place vanity on leveling bracket.

The leveling brackets are only to level the vanity.  
They are not designed for permanent support.  
The cabinet needs to be secured to wood backing.



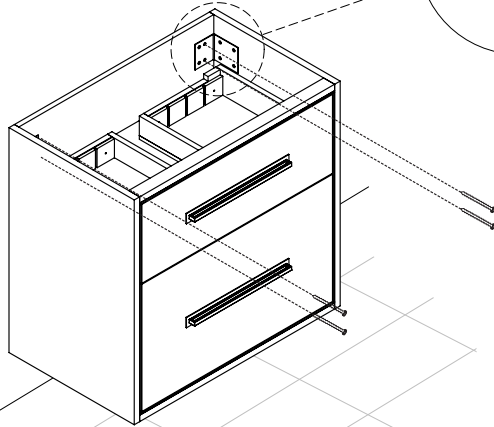
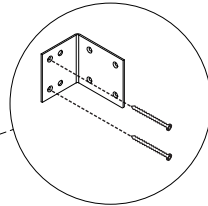


## Apogee - WALL HUNG VANITY

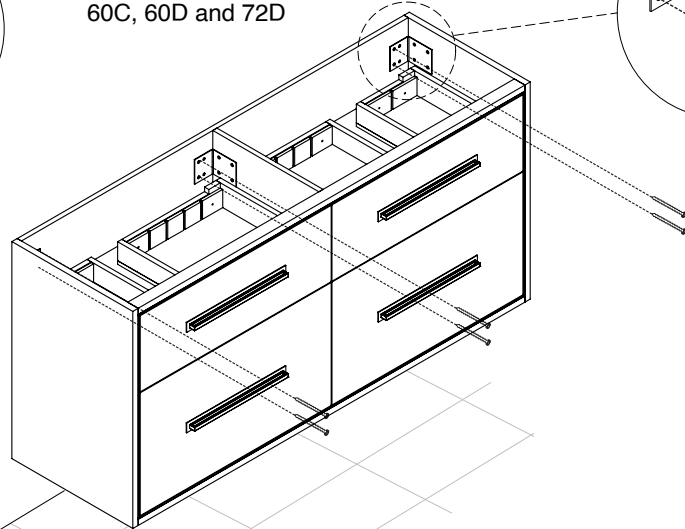
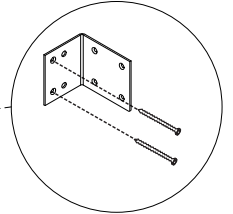
## Installation Guide

**STEP 3:** Secure vanity to wood reinforcement backing.

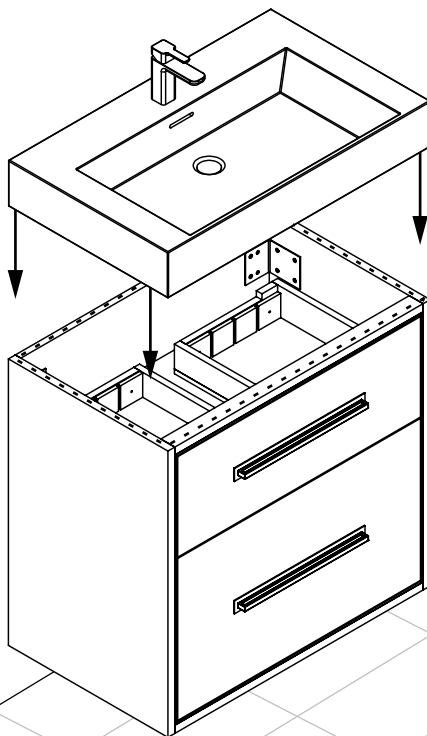
4 Screws for sizes  
24, 30, 36, 42, 48C and 48D



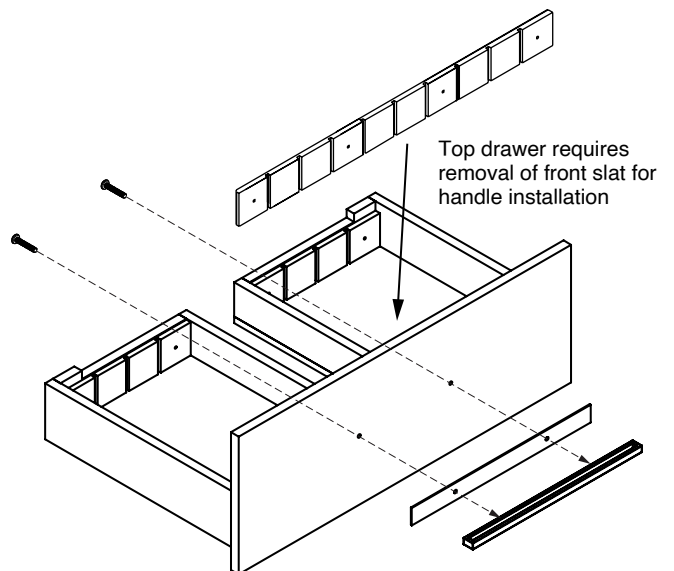
6 Screws for sizes  
60C, 60D and 72D



**STEP 4:** Install countertop with silicone and handle as shown below.



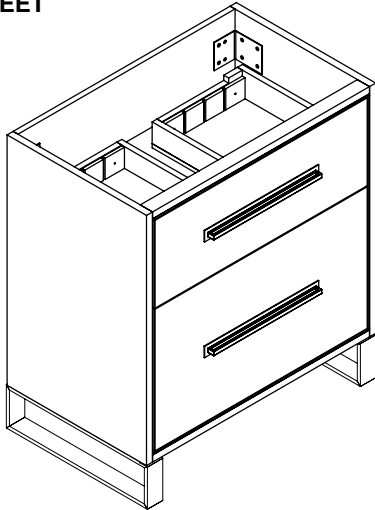
### HANDLE INSTALLATION



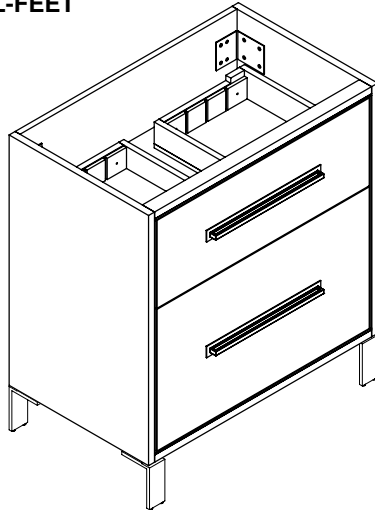
## Pinnacle - FREE STANDING VANITY

## Feet/Base Installation

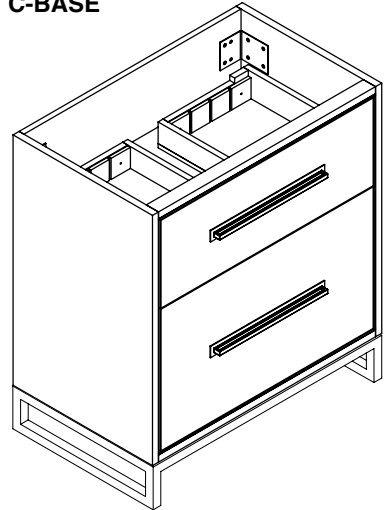
S-FEET



L-FEET



C-BASE



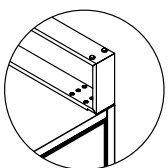
### FEET/BASE INSTALLATION

1. Flip cabinet in the upside down position.
2. Mark screw locations using legs/base as template.
3. Pre-drill holes with 5/64", 3/32" or 7/64" drill bit about 1/2" deep.
4. Using provided screws, fix legs/base to cabinet as shown below.

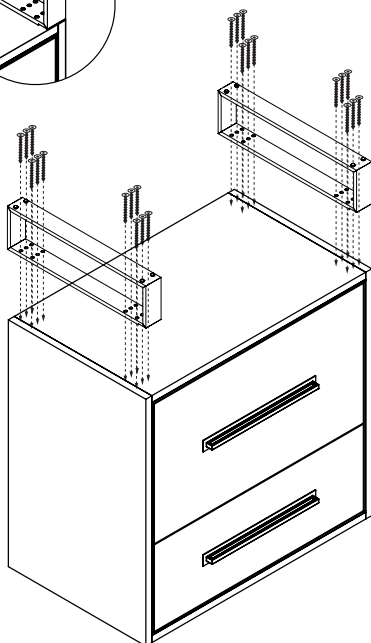
If using a regular battery drill, set clutch to minimum and increase setting as needed.

**DO NOT OVER TIGHTEN THE SCREWS. DOING SO WILL SPLIT THE WOOD SIDE PANEL.**

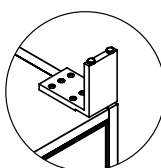
### S-FEET INSTALLATION



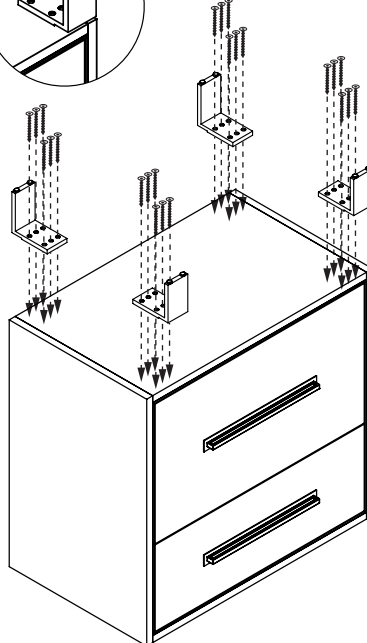
Flush with cabinet edges



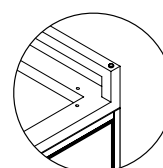
### L-FEET INSTALLATION



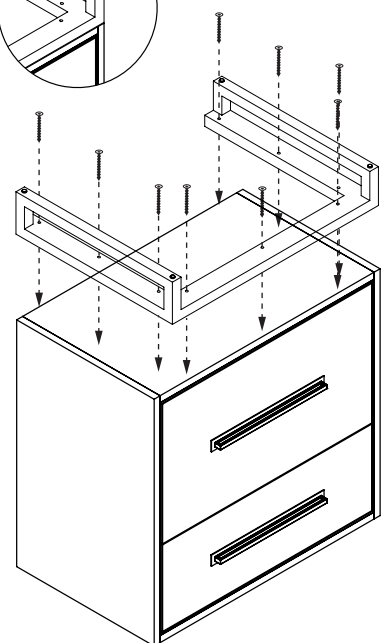
Flush with cabinet edges



### C-BASE INSTALLATION



Flush with cabinet edges

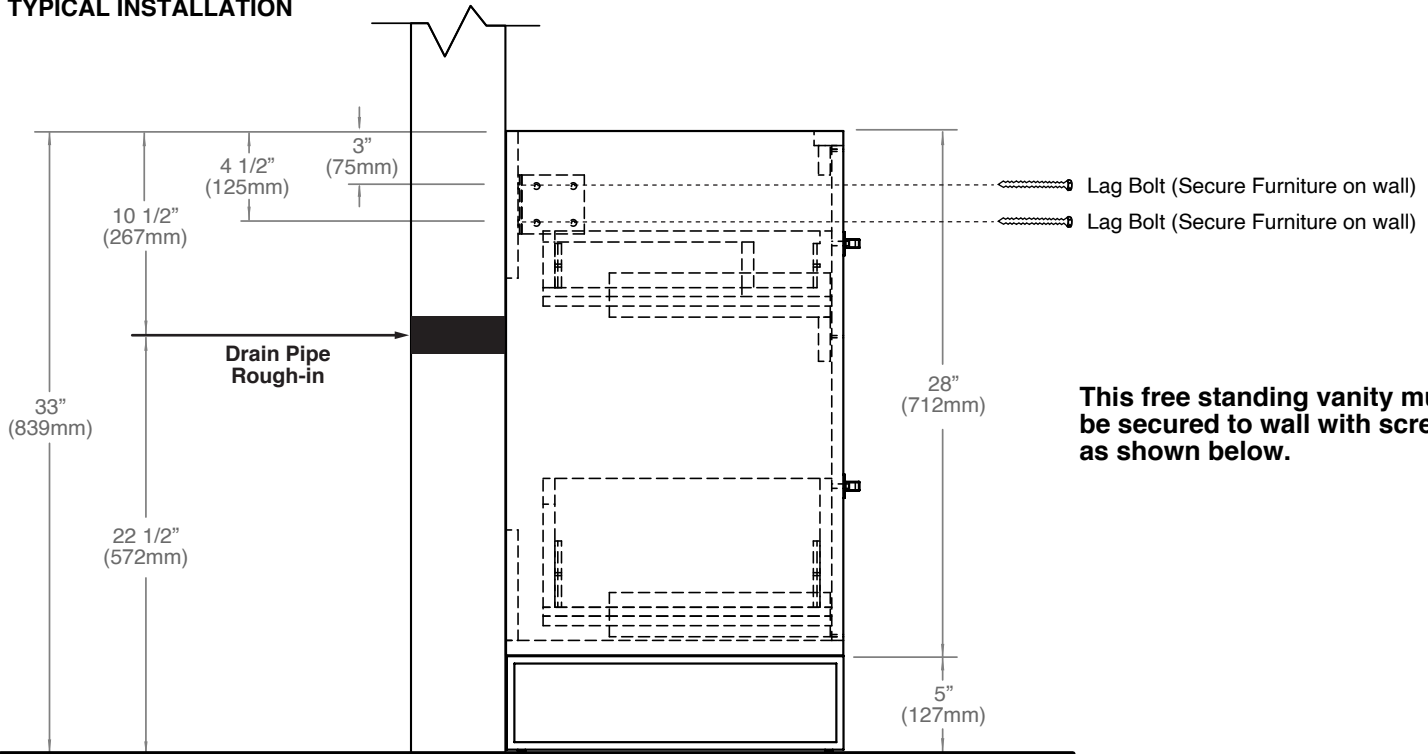


For clarification, please contact Madeli Customer Care at (800) 819-6988 Ext.1 or [service@madeli.com](mailto:service@madeli.com)  
All dimensions are approximate and subject to standard tolerance. Specifications subject to change without prior notice.

## Pinnacle - FREE STANDING VANITY

## Installation Guide

### TYPICAL INSTALLATION



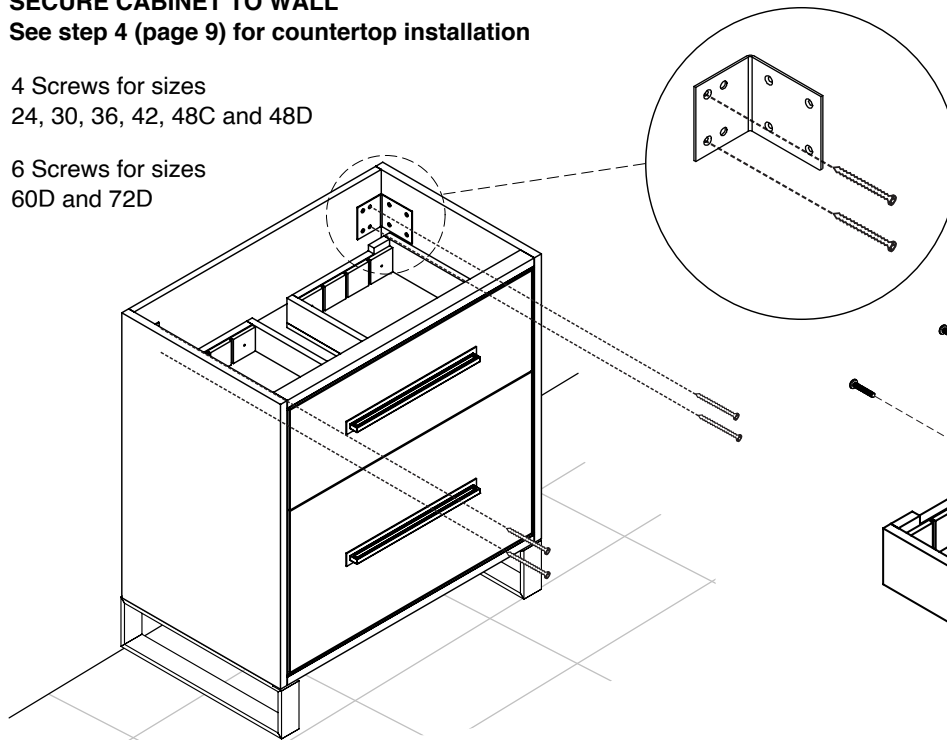
**This free standing vanity must be secured to wall with screws as shown below.**

### SECURE CABINET TO WALL

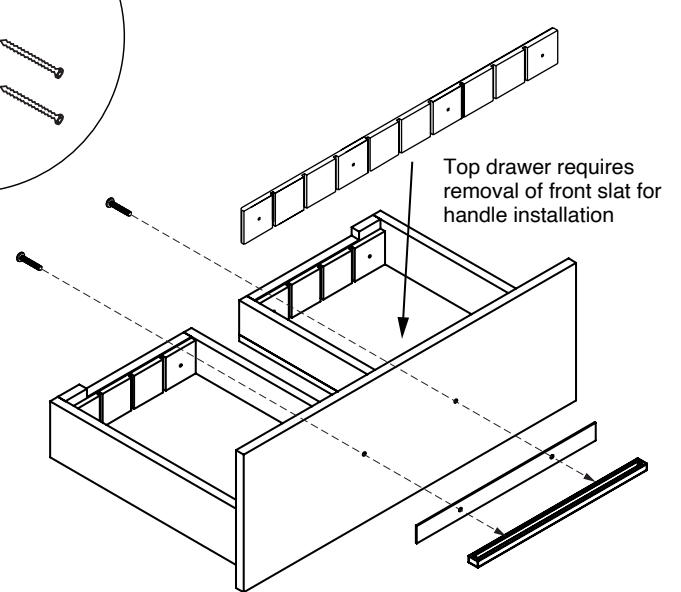
See step 4 (page 9) for countertop installation

4 Screws for sizes  
24, 30, 36, 42, 48C and 48D

6 Screws for sizes  
60D and 72D



### HANDLE INSTALLATION



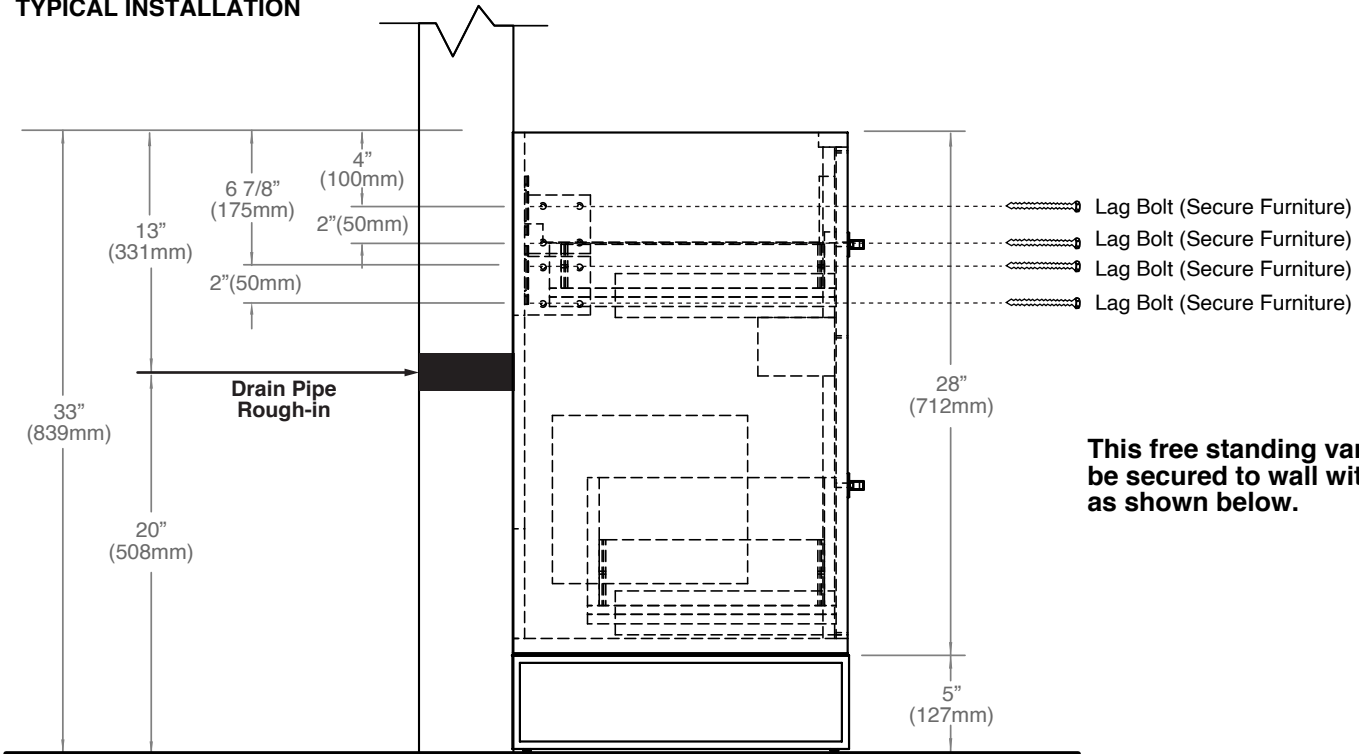
For clarification, please contact Madeli Customer Care at (800) 819-6988 Ext.1 or [service@madeli.com](mailto:service@madeli.com)

All dimensions are approximate and subject to standard tolerance. Specifications subject to change without prior notice.

## Pinnacle - FREE STANDING VANITY

## Installation Guide

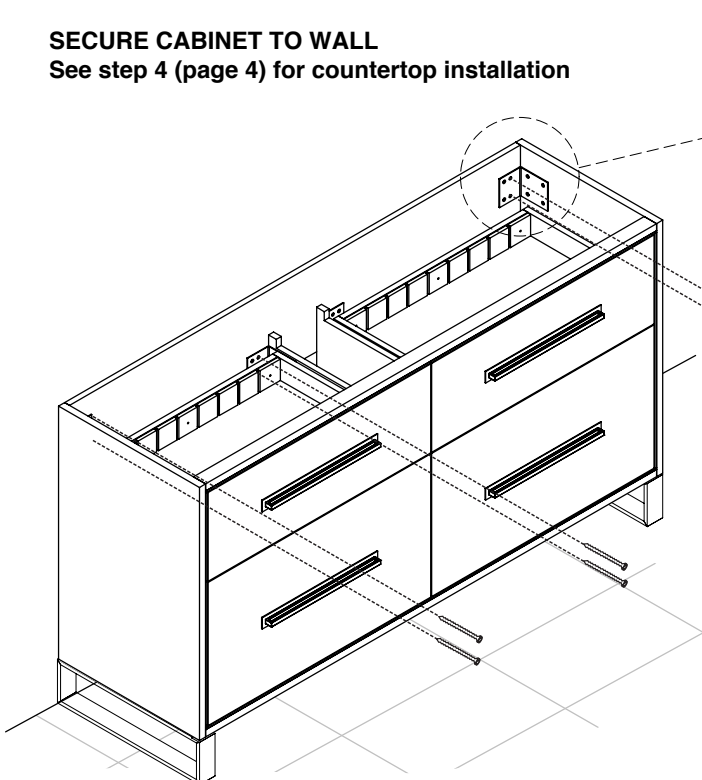
### TYPICAL INSTALLATION



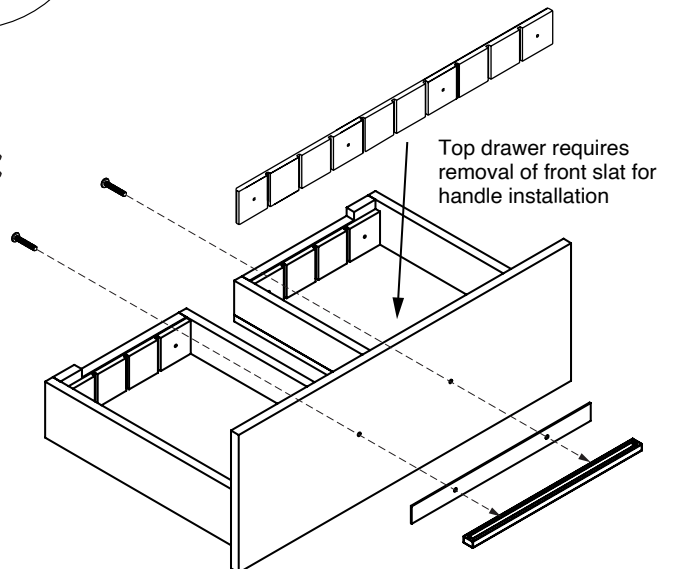
This free standing vanity must be secured to wall with screws as shown below.

### SECURE CABINET TO WALL

See step 4 (page 4) for countertop installation



### HANDLE INSTALLATION



For clarification, please contact Madeli Customer Care at (800) 819-6988 Ext.1 or [service@madeli.com](mailto:service@madeli.com)  
All dimensions are approximate and subject to standard tolerance. Specifications subject to change without prior notice.