

## Urban - 30H x 30W Frameless Medicine Cabinet

## Specification & Installation Guide

### Features

- Wall hung 30"H x 30"W frameless medicine cabinet.
- Exterior and Interior Mirror
- Cabinet size: 29-15/16"(760mm)H x 5-1/2"(140mm)D x 29-15/16"(760mm)W
- Mirror size: 29-15/16"(760mm)H x 29-15/16"(760mm)W
- Furniture grade plywood layered with solid wood veneer and protected with several coats of polyurethane.
- Matching finish inside out
- One soft-close door with adjustable European Hardware
- Two adjustable glass shelves
- Round magnifying mirror included
- Non-handed. Can be installed right or left hand

### Colors/Finishes

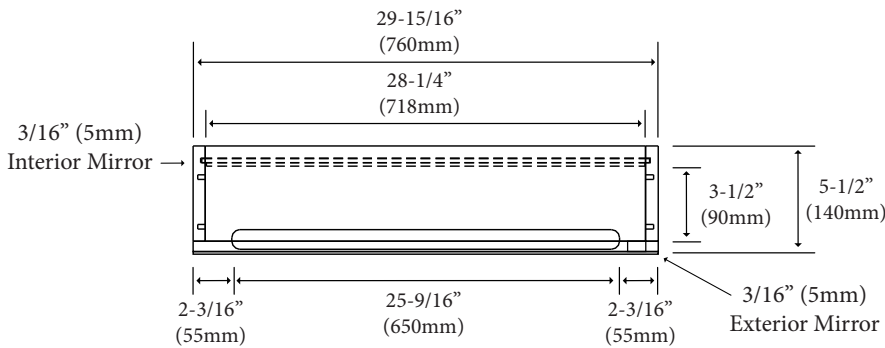
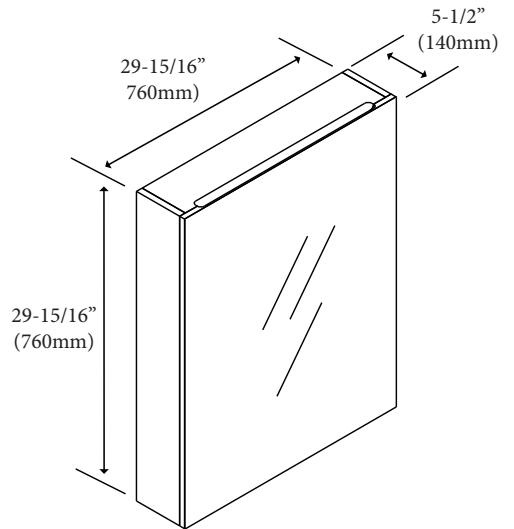
- Ash Grey (AG)
- Cashmere (CM)
- Glossy White (GW)
- Silk (SK)
- Walnut (WA)
- Whisper Grey (WG)

### Package Dimension

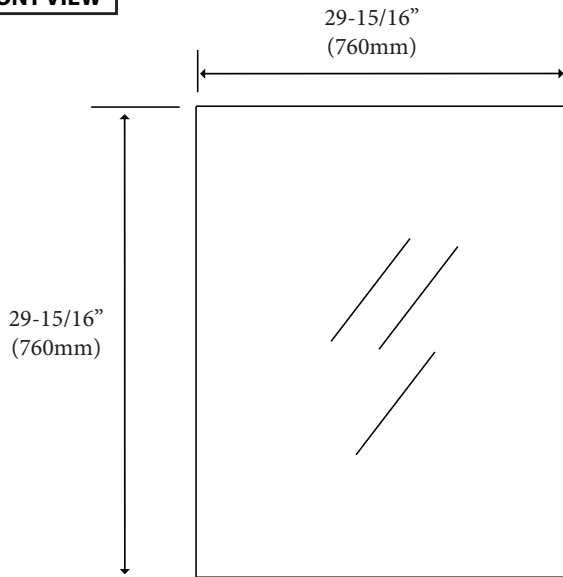
32-11/16" x 8-4/16" x 32-11/16"

### Gross Weight

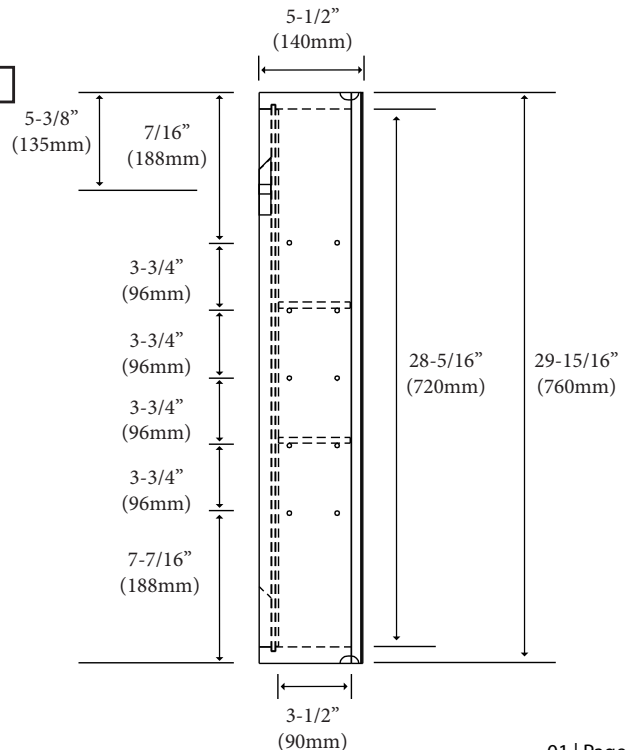
59lbs/27kgs



### FRONT VIEW



### SIDE VIEW



For clarification, please contact Madeli Customer Care at (800)-819-6988 or (305)-718-8817 Ext. 1

All dimensions are approximate and subject to standard tolerance. Specifications subject to change without prior notice.

## Urban - 30H x 30W Frameless Medicine Cabinet

## Specification & Installation Guide

### TYPICAL INSTALLATION

The typical dimensions shown reflect a medicine cabinet height of 78" (1981mm). If alternate heights are desired, adjust the height of the backing material and of the French Cleat.

