

## Urban - 42"

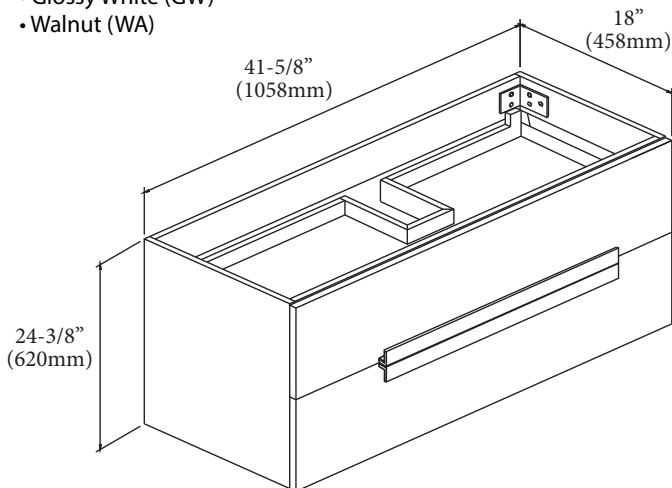
## Specification & Installation Guide

### Features

- Wall hung 24" vanity : 24-3/8" (620mm)H x 18"(458mm)D x 41-5/8" (1058mm)W
- Furniture grade plywood layered with solid wood veneer and protected with several coats of polyurethane (No particle board or MDF used).
- Matching finish inside out
- Two fully adjustable drawers with full-extension soft-close European hardware.
- Top drawer with tempered glass retainer.
- Bottom drawer includes adjustable tempered glass dividers and retainers.

### Colors/Finishes

- Ash Grey (AG)
- Glossy White (GW)
- Walnut (WA)



### Top/Basin options

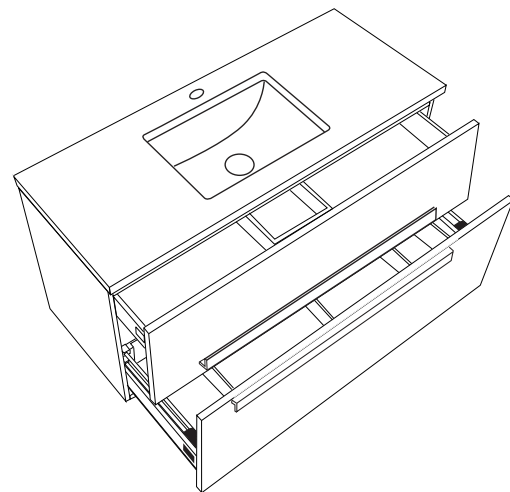
- White, Soft Grey or White Carrara Quartzstone™ top & white under mount ceramic basin
- Glossy White X-Stone top/basin
- Glossy or Matte White X-Stone flat countertop

### Package Dimensions

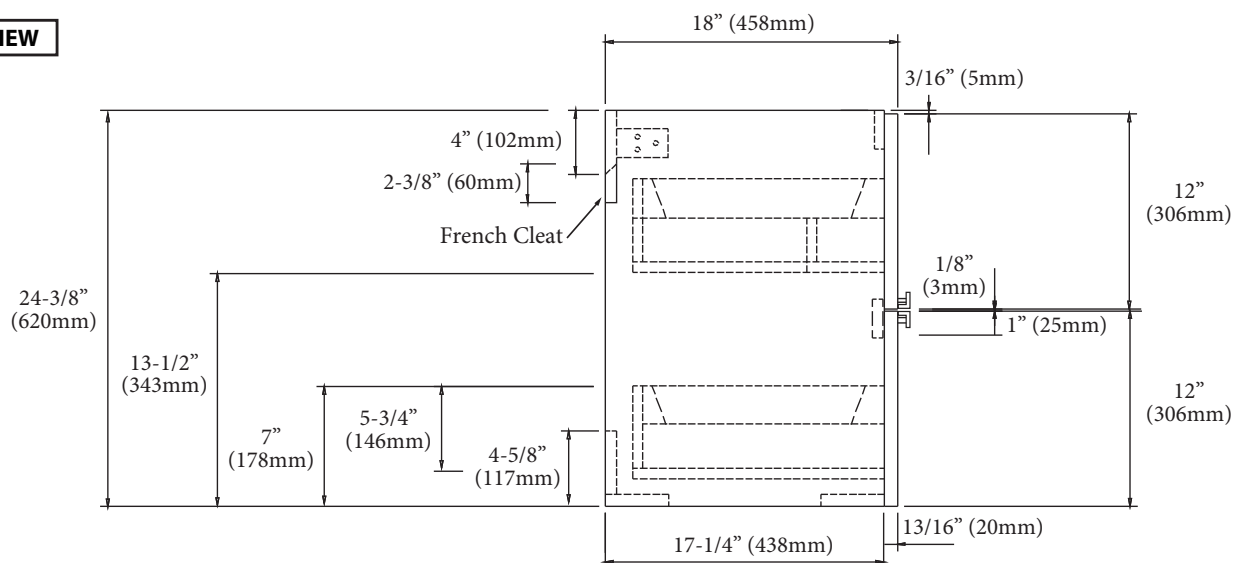
44" x 21" x 28"

### Weight

111 lbs. / 51 kgs



### SIDE VIEW



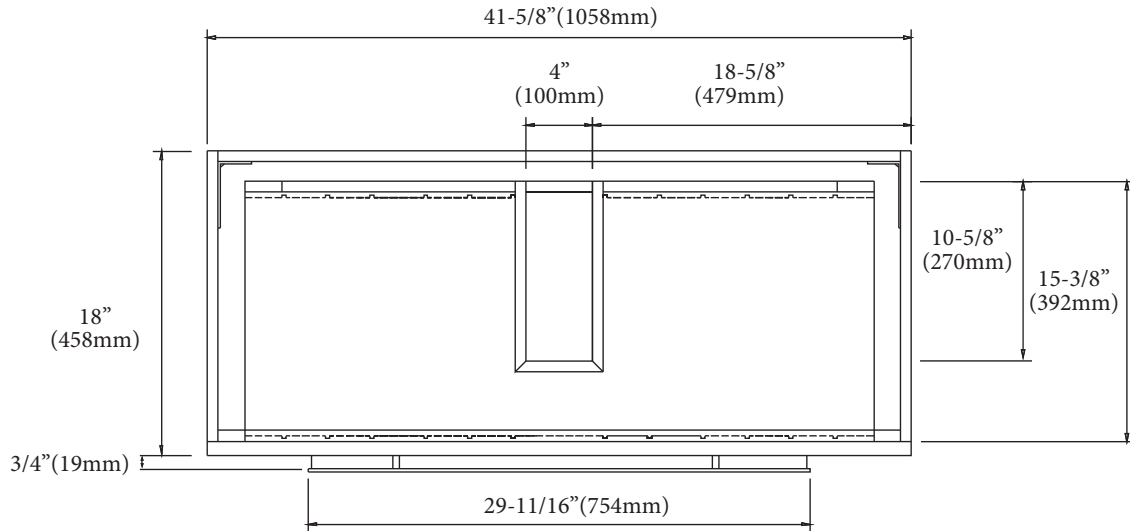
**For clarification, please contact Madeli Customer Care at (800)-819-6988 or (305)-718-8817 Ext. 1**

All dimensions are approximate and subject to standard tolerance. Specifications subject to change without prior notice.

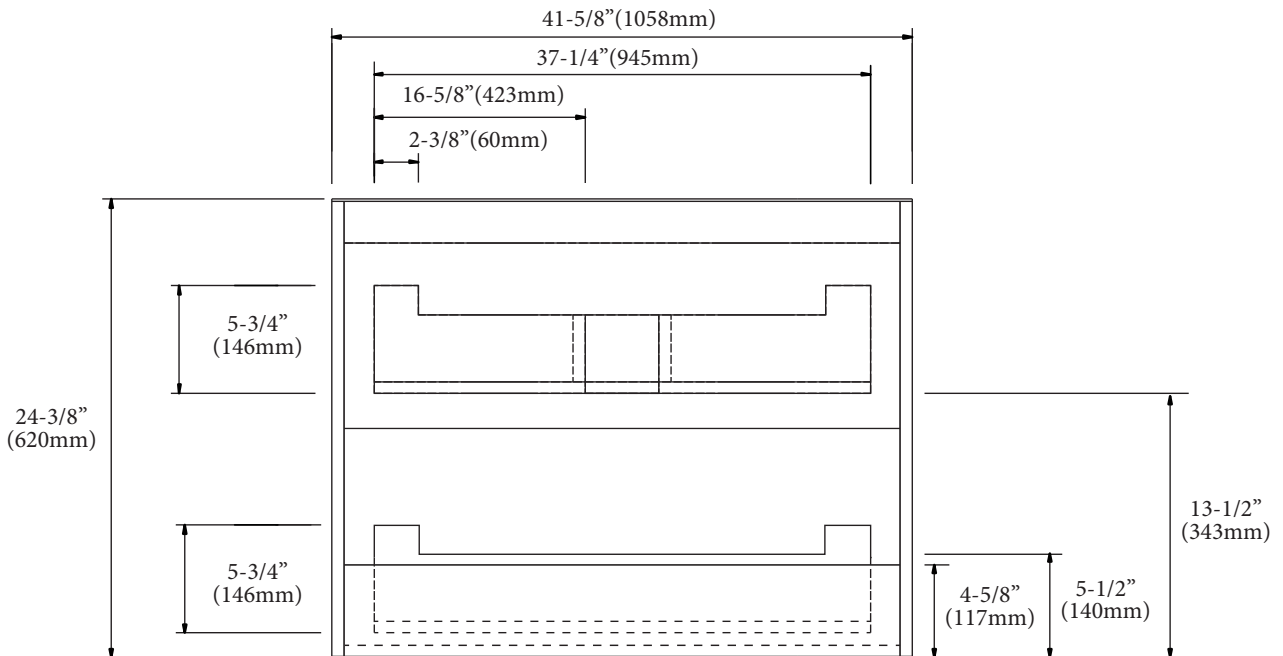
## Urban - 42"

## Specification & Installation Guide

### TOP VIEW



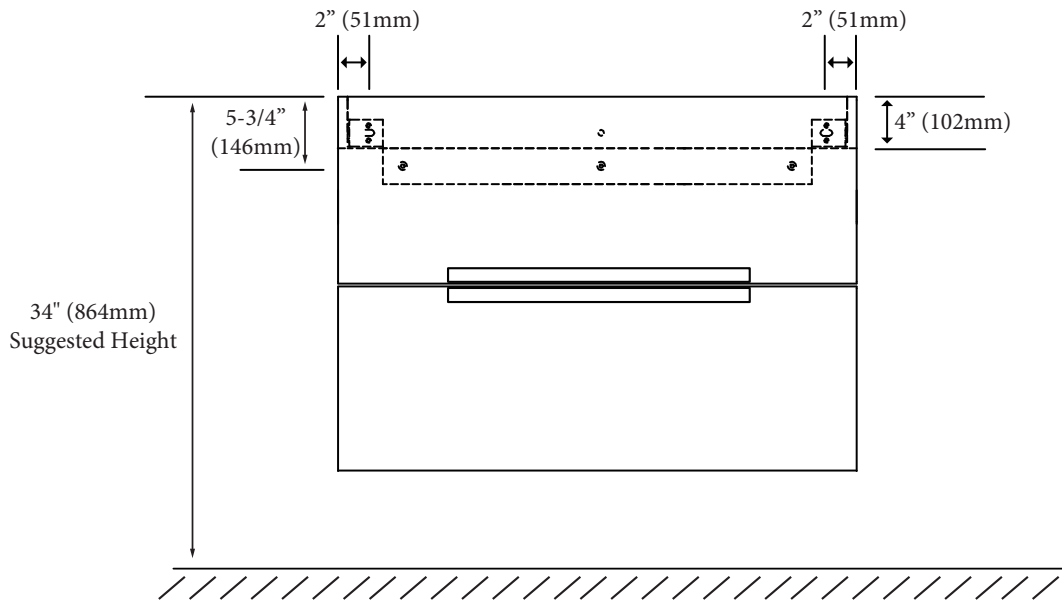
### BACK VIEW



## Urban - 42"

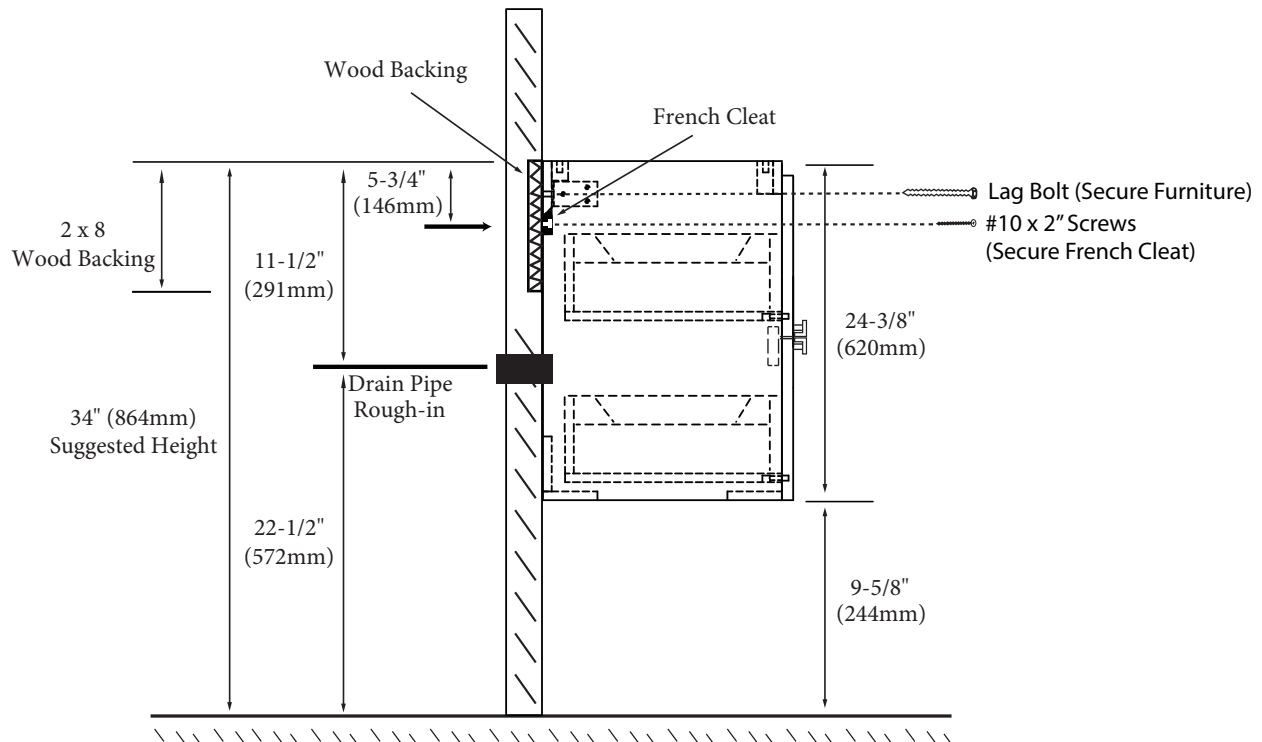
## Specification & Installation Guide

### FRONT VIEW



### TYPICAL INSTALLATION

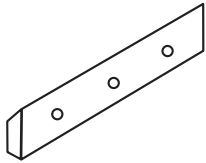




The typical dimensions shown will result in vanity cabinet height of 34" (864mm). Depending on the countertop selected, the total height will vary from 35-1/4" (895mm) to 36-1/2" (927mm). For above-counter vessels with typical heights between 4" and 6", it is suggested to lower the cabinet to 31" (785mm). If alternate heights are desired, adjust the rough-in and backing material heights using the dimensions provided.



## Urban - 42"

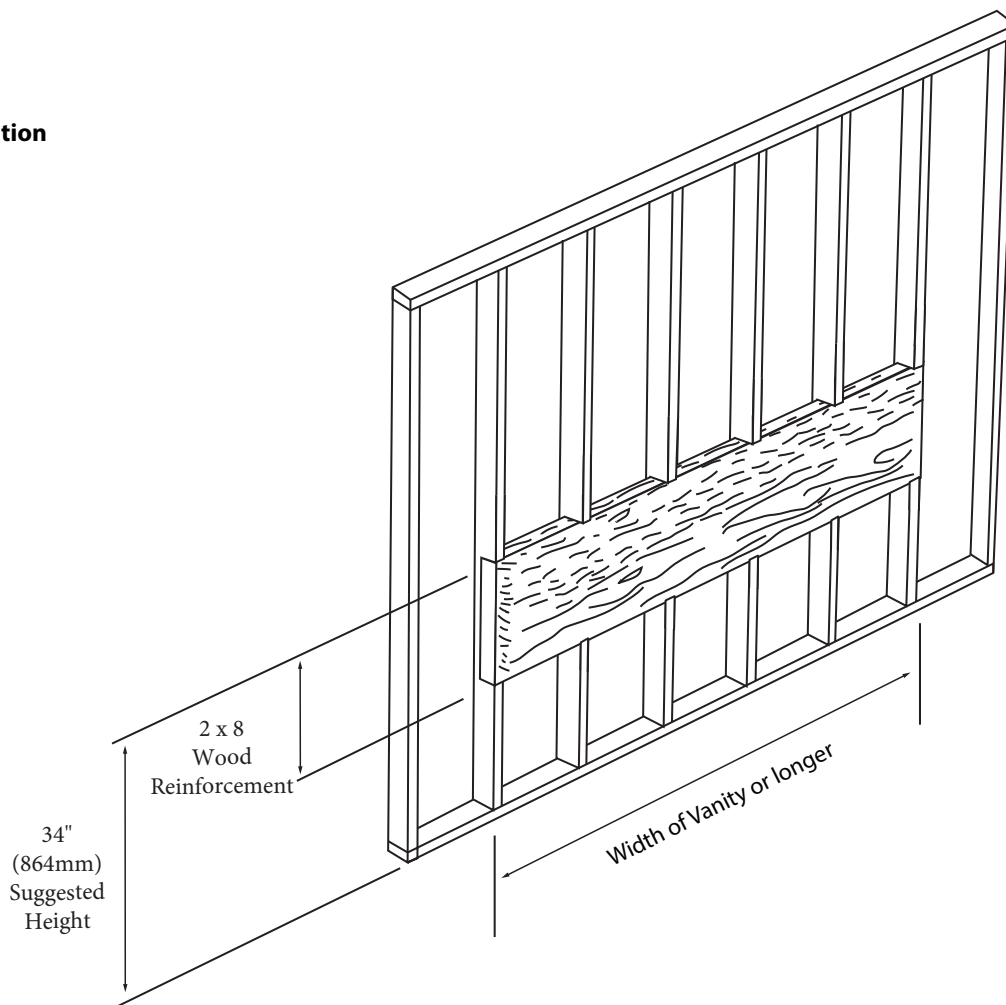
## Specification & Installation Guide

### INSTALLATION INSTRUCTIONS

Item	French Cleat	#10 x 2" Screws	Anchors	Screw	Silicone (not included)
Qty.	1	3	3	3	1
					

### STEP 1

#### Wall Preparation



**For clarification, please contact Madeli Customer Care at (800)-819-6988 or (305)-718-8817 Ext. 1**

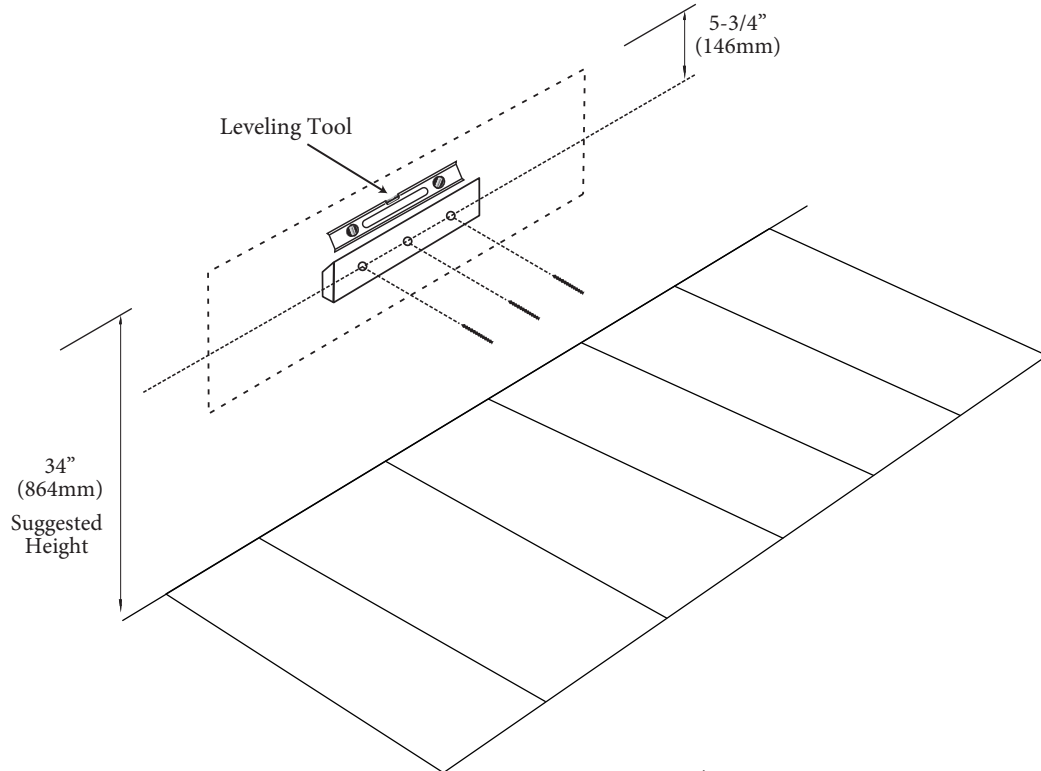
All dimensions are approximate and subject to standard tolerance. Specifications subject to change without prior notice.

## Urban - 42"

## Specification & Installation Guide

### STEP 2

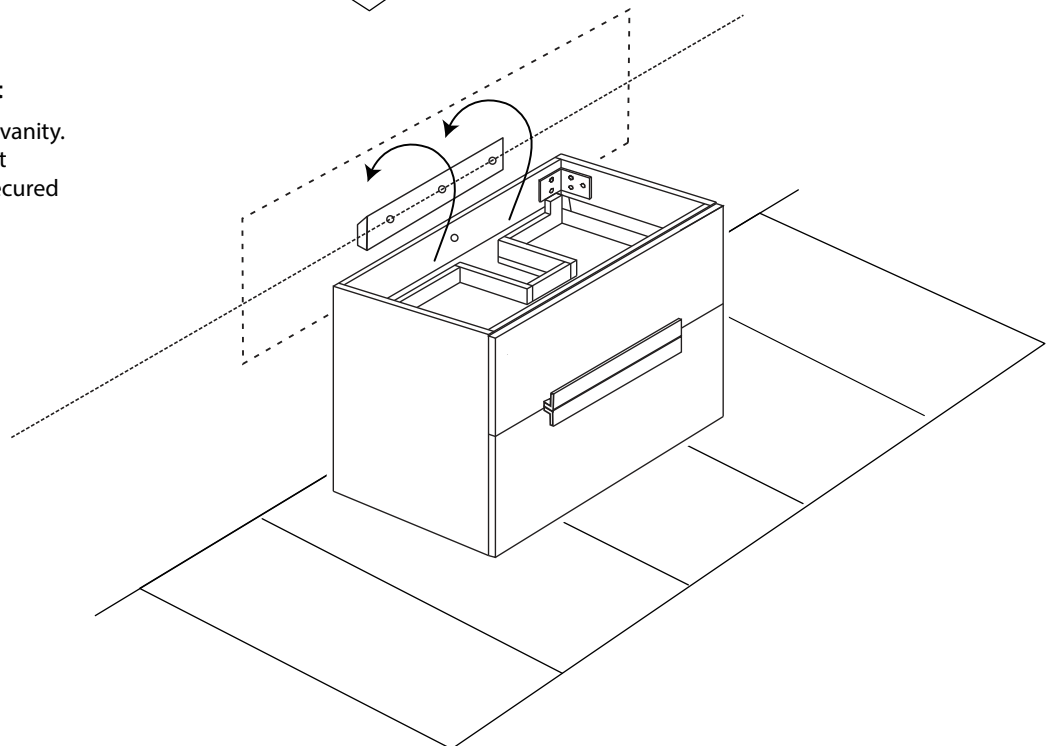
#### Install French Cleat



### STEP 3

#### Place vanity on French Cleat

French Cleat is only to level the vanity. It is not designed for permanent support. Cabinet needs to be secured to wood backing material.



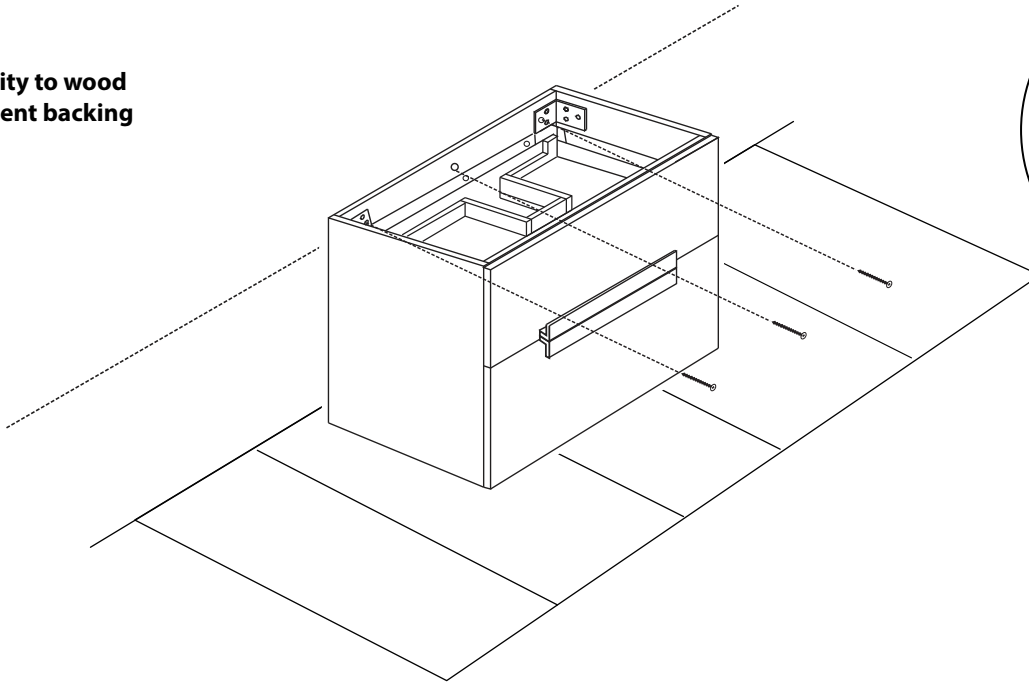
**For clarification, please contact Madeli Customer Care at (800)-819-6988 or (305)-718-8817 Ext. 1**  
All dimensions are approximate and subject to standard tolerance. Specifications subject to change without prior notice.

## Urban - 42"

## Specification & Installation Guide

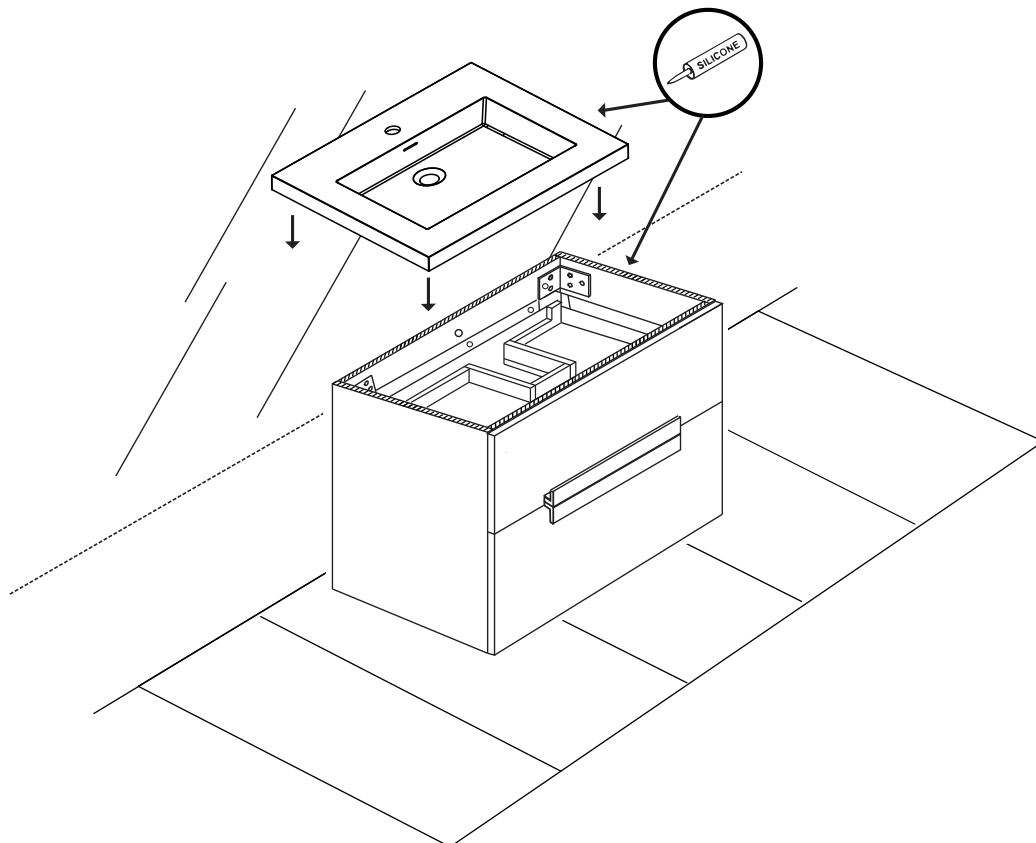
### STEP 4

Secure vanity to wood reinforcement backing



### STEP 5

Install countertop with Silicone



For clarification, please contact Madeli Customer Care at (800)-819-6988 or (305)-718-8817 Ext. 1  
All dimensions are approximate and subject to standard tolerance. Specifications subject to change without prior notice.