

## Venasca - 60" Double Bowl

## Specification & Installation Guide

### Features

- Wall hung 60" vanity: 15-3/4"(400mm)H x 18"(458mm)D x 59-1/4" (1505mm)W
- Furniture grade plywood layered with solid wood veneer and protected with several coats of polyurethane.
- Matching finish inside out
- Two fully adjustable drawer with full extension soft-close European hardware
- Four adjustable tempered glass dividers
- Handle: Polished Chrome or Brushed Nickel finish

### Colors/Finishes

- Ash Grey (AG)
- Glossy White (GW)
- Walnut (WA)

### Top/Basin options

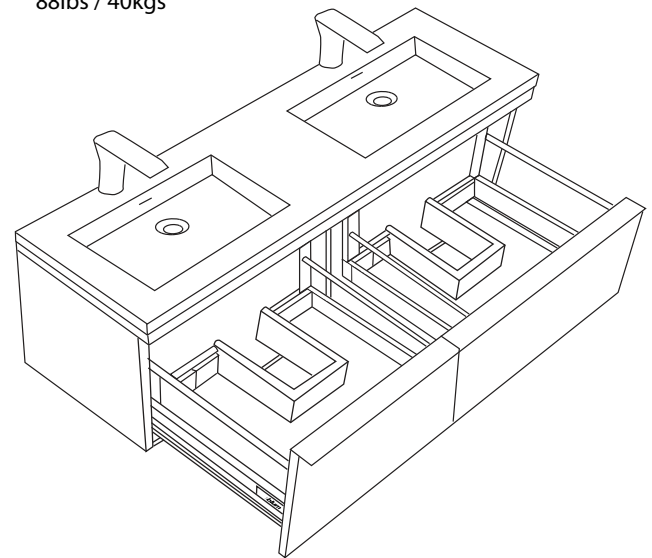
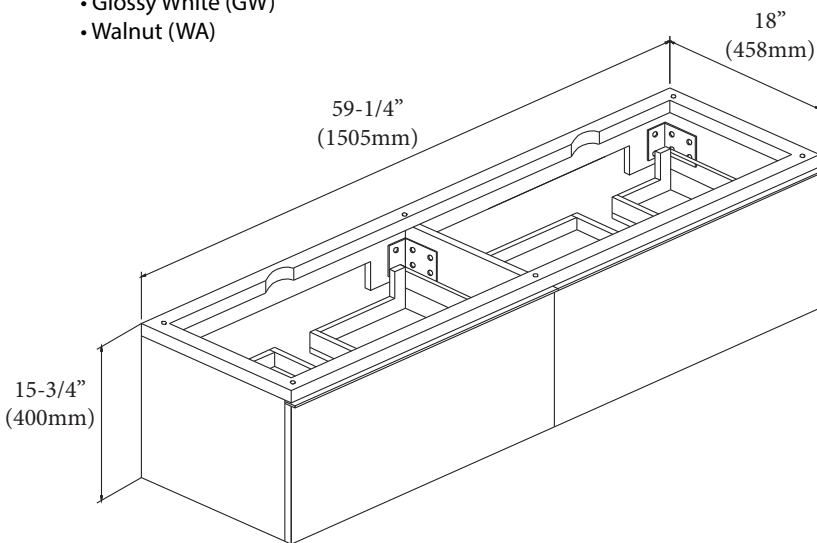
- White, Soft Grey or White Carrara top with under mount ceramic basin
- Glossy White X-Stone top/basin
- Glossy or Matte White X-Stone flat top

### Package Dimension

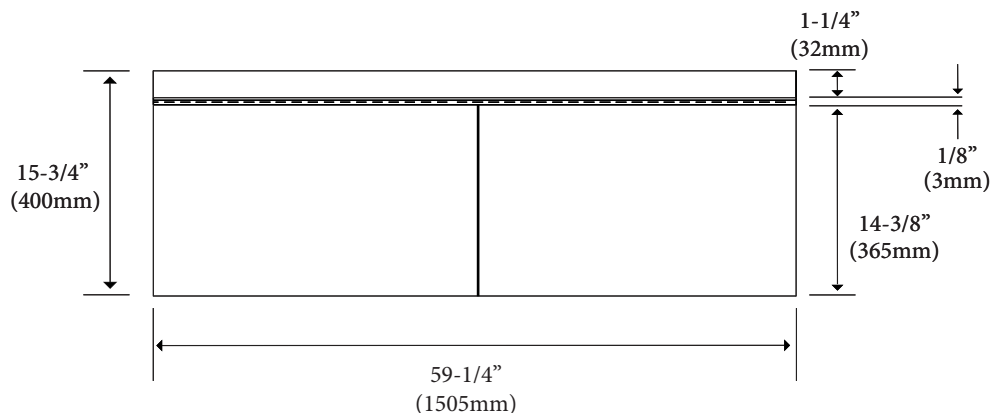
63" x 23" x 19"

### Gross Weight

88lbs / 40kgs



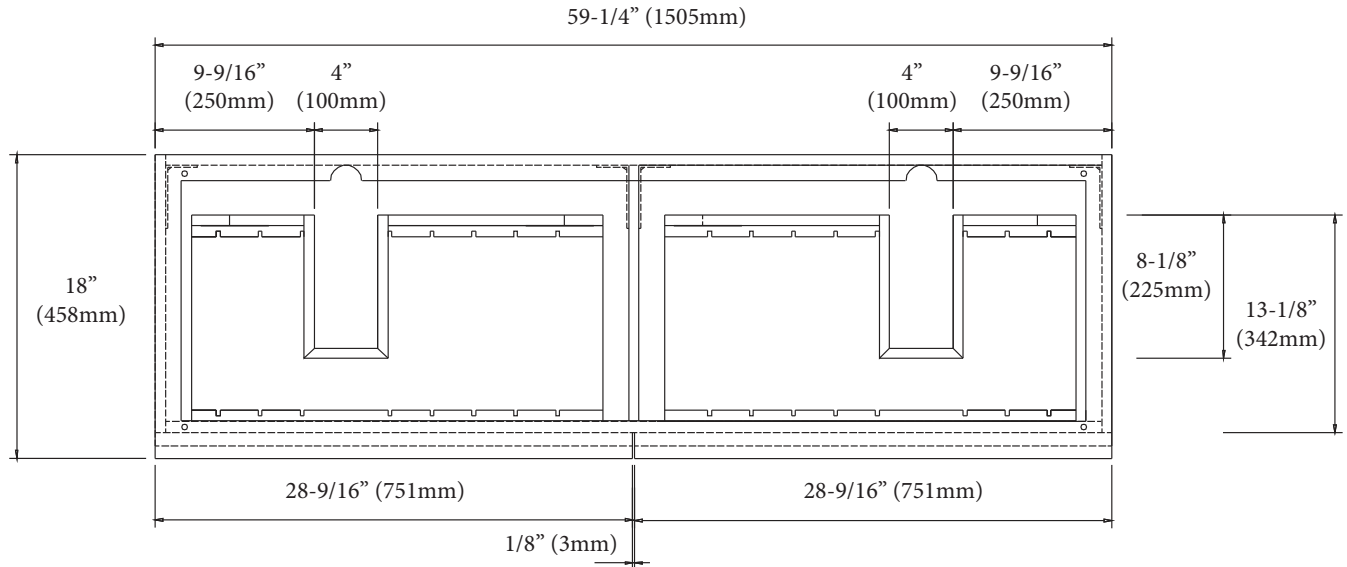
### FRONT VIEW



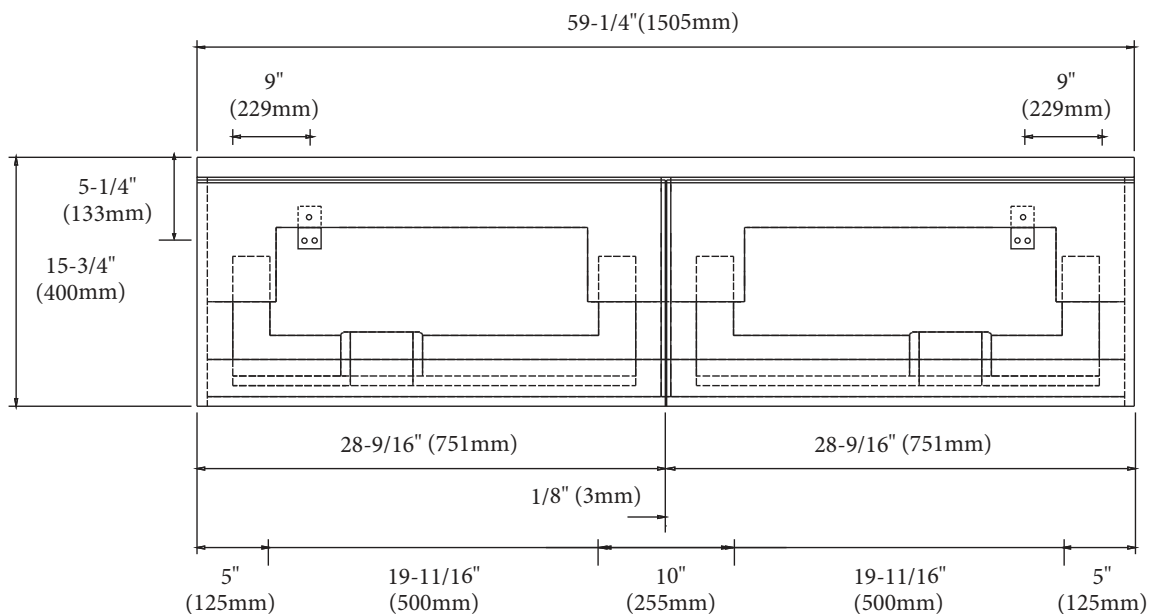
## Venasca - 60" Double Bowl

## Specification & Installation Guide

### FRONT VIEW



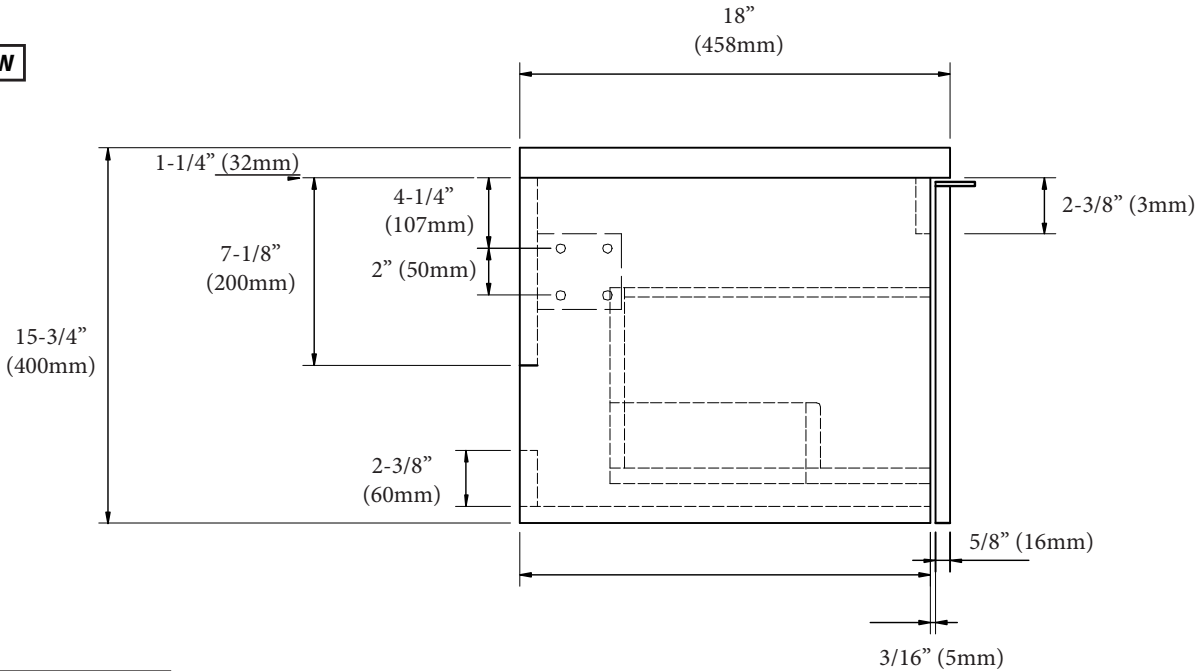
### BACKVIEW



## Venasca - 60" Double Bowl

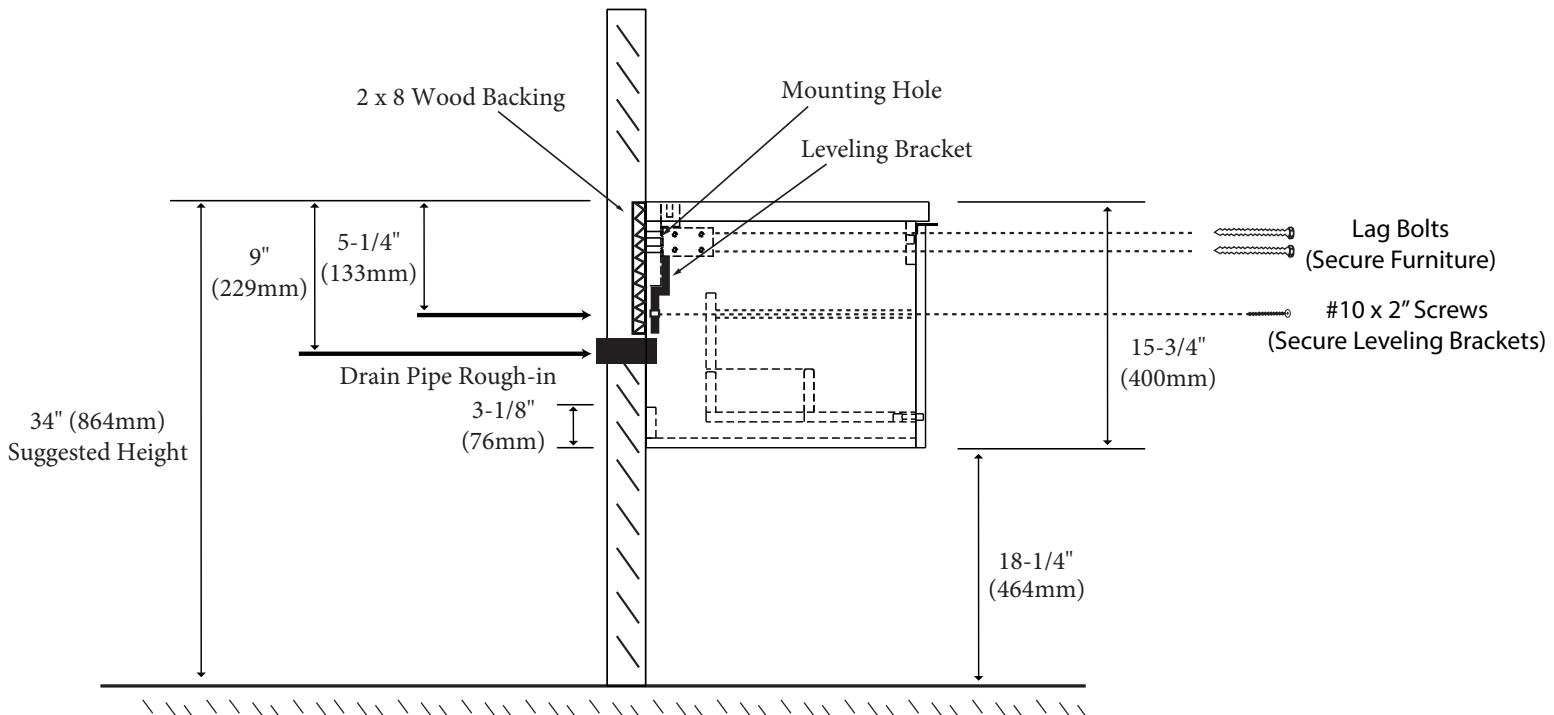
## Specification & Installation Guide

### SIDE VIEW



### TYPICAL INSTALLATION

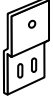




The typical dimensions shown will result in vanity cabinet height of 34" (864mm). Depending on the countertop selected, the total height will vary from 35-1/4" (895mm) to 36-1/2" (927mm). For above-counter vessels with typical heights between 4" and 6", it is suggested to lower the cabinet to 31" (785mm). If alternate heights are desired, adjust the rough-in and backing material heights using the dimensions provided.



## Venasca - 60" Double Bowl

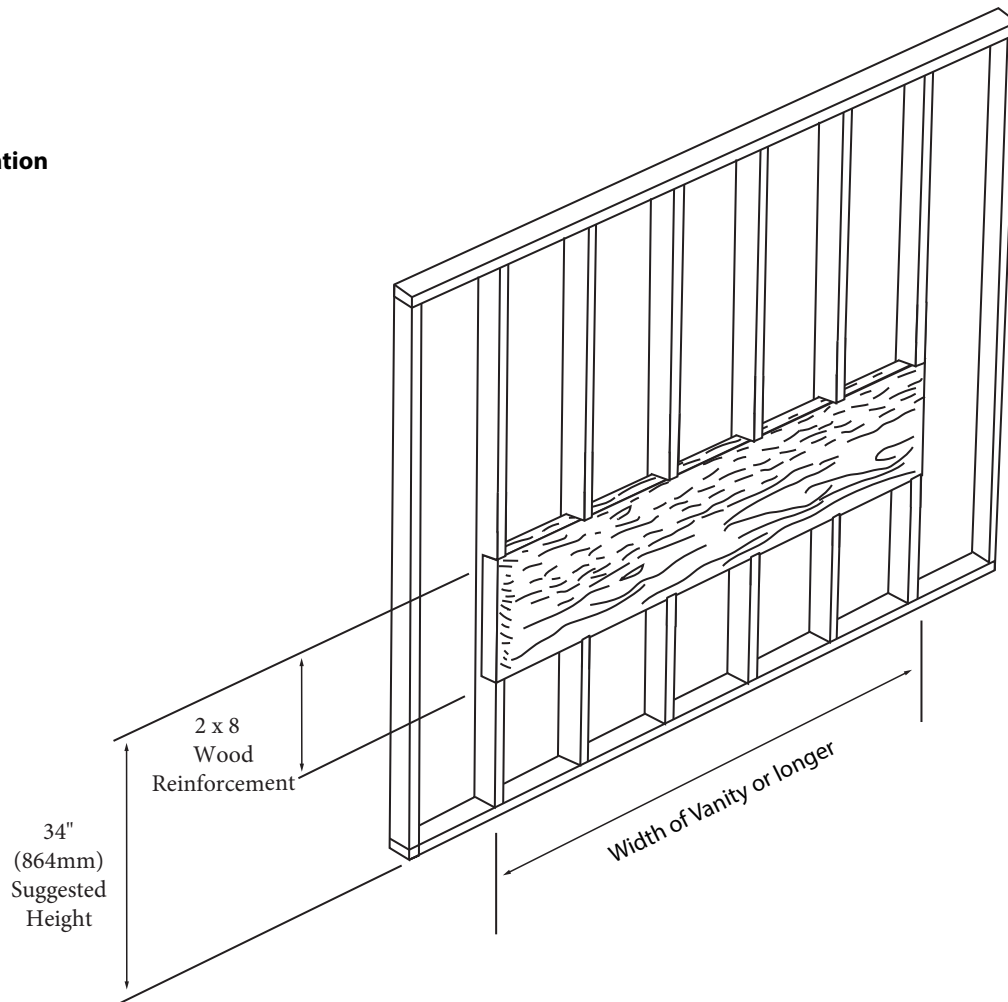
## Specification & Installation Guide

### INSTALLATION INSTRUCTIONS

Item	Leveling Bracket	#10 x 2" Screws	Anchors	Lag Bolt 5/16 x 2-1/2"	Silicone (not included)
Qty.	2	4	4	4	1
					

### STEP 1

#### Wall Preparation



For clarification, please contact Madeli Customer Care at (800)-819-6988 or (305)-718-8817 Ext. 1

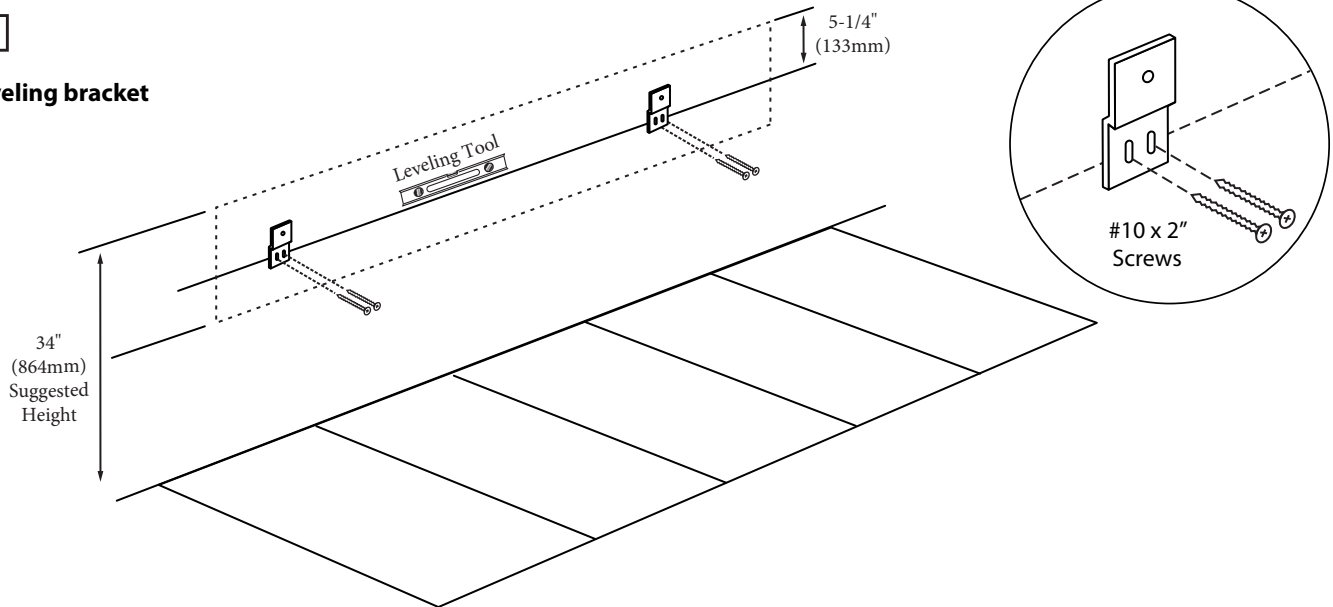
All dimensions are approximate and subject to standard tolerance. Specifications subject to change without prior notice.

## Venasca - 60" Double Bowl

## Specification & Installation Guide

### STEP 2

#### Install leveling bracket



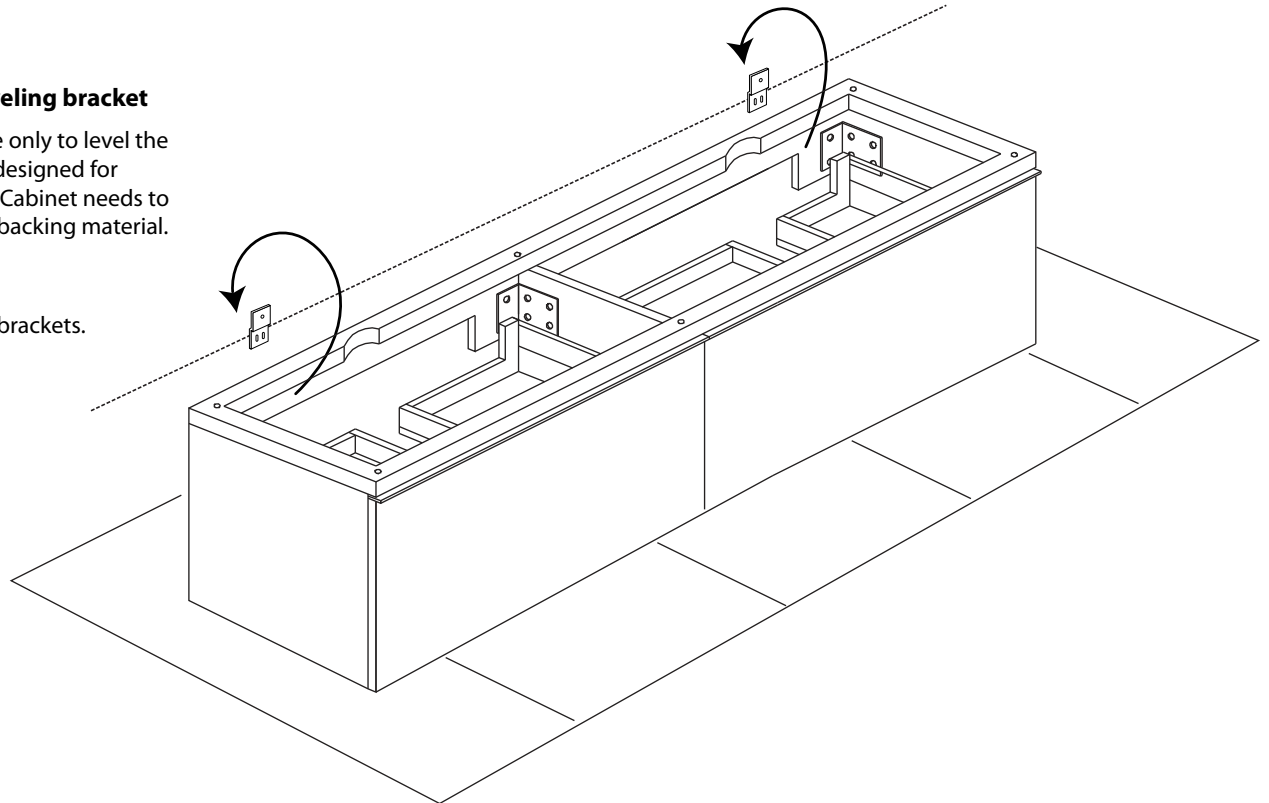
### STEP 3

#### Place vanity on leveling bracket

Leveling brackets are only to level the vanity. They are not designed for permanent support. Cabinet needs to be secured to wood backing material.

#### NOTE:

Location of Leveling brackets.

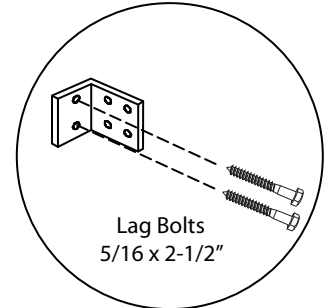
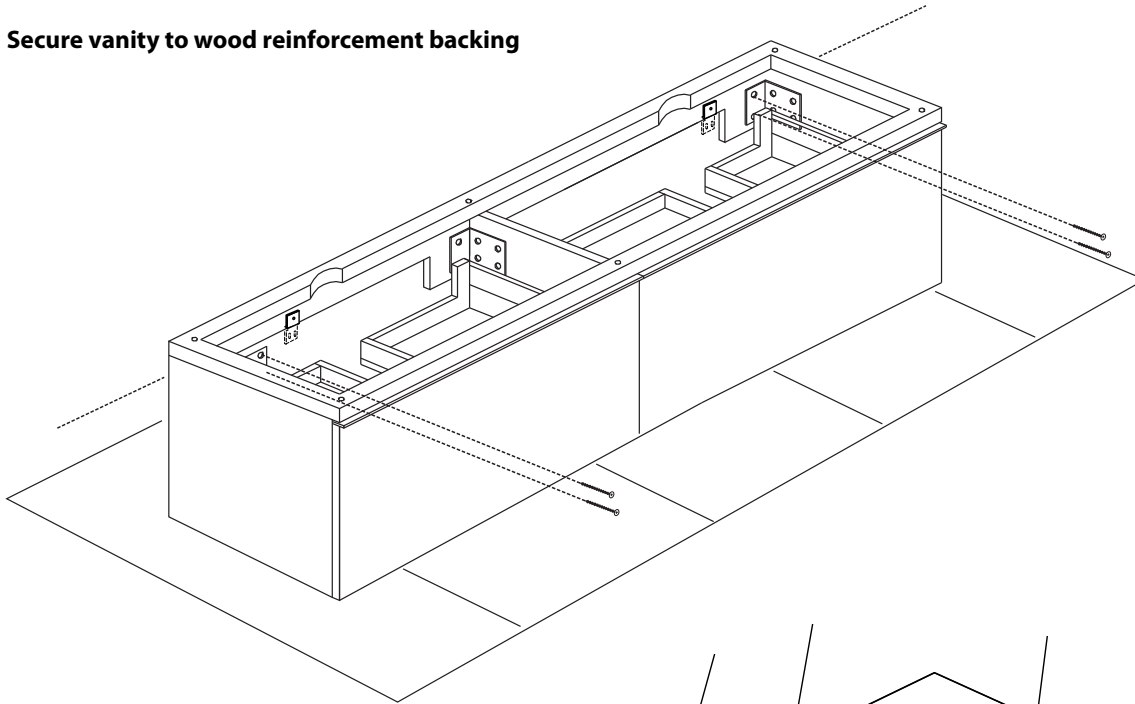


## Venasca - 60" Double Bowl

## Specification & Installation Guide

### STEP 4

Secure vanity to wood reinforcement backing



### STEP 5

Install countertop with Silicone

**NOTE:**

Location of Leveling brackets.

