

Ceramic Semi-Recessed Bathroom Sink

Specification & Installation Guide

FEATURES

- Design: Rectangular / Contemporary
- Material: Vitreous China
- Type: Semi-Recessed
- Overflow: Yes
- Size: 23-5/8" (600 mm)L x 18" (457 mm)W x 7-1/16" (180 mm)H
- Basin inside depth: 5" (127 mm)
- Drain hole: Diameter 1-3/4" (45 mm)
- Drain hole: Yes Above counter installation
- Packaging Dimensions: 27" (686 mm) x 21" (533 mm) x 10" (254 mm)
- Weight: 30 lbs. / 13.64 kgs.

FINISHES

White

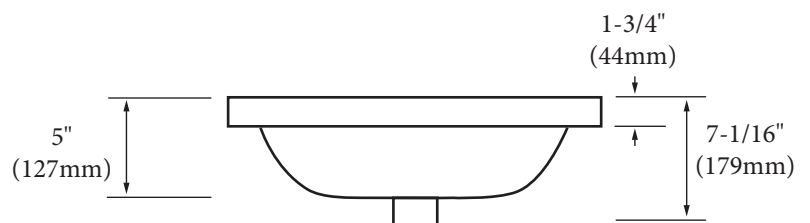
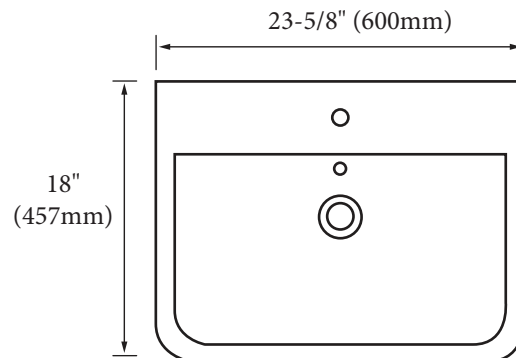
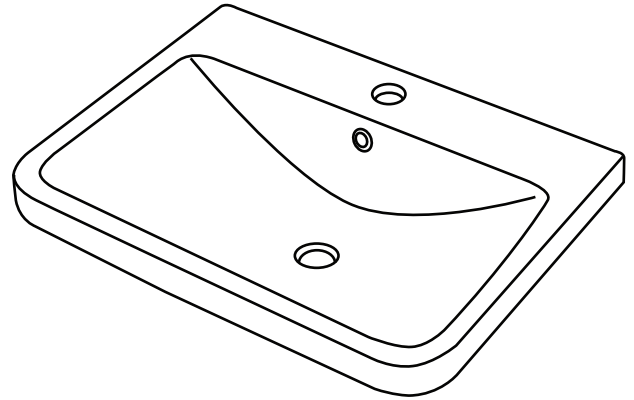
COMPLIANCE

CSA B45.5-11/IAPMO Z124-11

INSTALLATION

Follow the installation guide to install this product.

Lavatory will comply with ADA when installed per section 606 Lavatories and Sinks of the 2012 ADA standards for Accessible Design. For the under-mount installation, countertop thickness cannot be over 1" (25 mm) for ADA compliance.



For clarification, please contact Madeli Customer Care at (800)-819-6988 or (305)-718-8817 Ext. 1

All dimensions are approximate and subject to standard tolerance. Specifications subject to change without prior notice.