



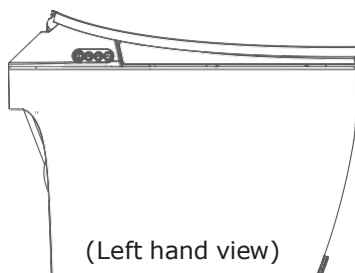
KEY FEATURES

- Compact, concealed one piece toilet with integrated personal cleaning
- Low profile, modern tankless design offers a direct powerful flush action
- Automatic flush system for touchless convenience
- 1.28Gpf (4.8Lpf) single flush high efficiency
- 16" Height elongated bowl
- Rimless design provides a more effective hygienic and easy to clean bowl
- Pre-rinsing before each use
- Additional foot flush control for convenience

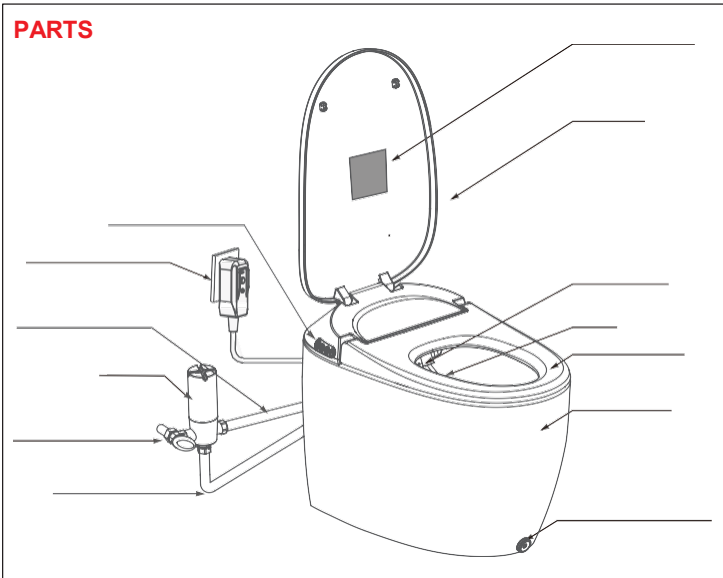
COMPLIANCE STANDARDS

- ASME A112.19.2/CSA B45.1
- ASME A112.4.2/CSA B45.16
- WaterSense Specification
- UL 1951, CSA C22.2 No.64 and CSA C22.2 No.68
- Illuminated night light
- Stainless spray nozzle provides adjustable spray, position and water temperature options
- Adjustable warm air drying
- Slow close heated seat with adjustable temperature controls for added comfort
- Ultraviolet sterilization to sanitize the spray nozzle
- Easy to operate remote control

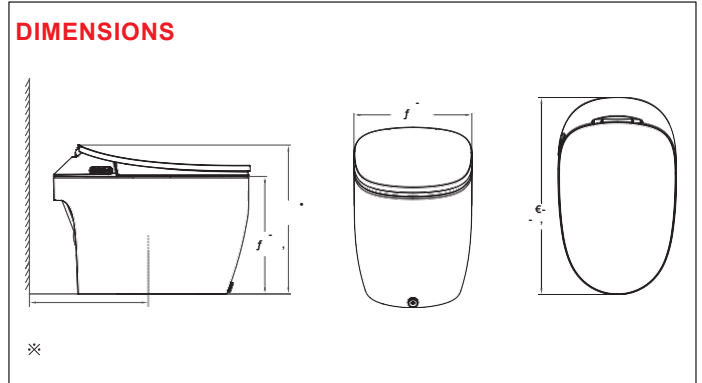
SIDE VIEW



PARTS



DIMENSIONS



SPECIFICATIONS

Rated Voltage		110V
Rated frequency		60Hz
Rated consumption power		Water intake temperature 15°C/59°F, water outlet temperature 39°C/103°F, flowrate 3.4gal/min power 1200W
Temperature of operating environment		4°C/40°F ~ 40°C/104°F
Water intake temperature		4°C/40°F ~ 35°C/95°F
Range of water intake	Min. necessary water pressure	35 psi (over 20 gal/min when water is running)
	pressure for use	80 psi (in resting state)
Closet	Rough-in	12 in
Wash	Heating method	Instantaneous heating
	Warm air	About 0.14 ~0.18gal/min (adjustment of 3 levels) when water pressure is 0.05
	Seat ring	About 0.14 ~0.18gal/min(adjustment of 3 levels) when water pressure is 0.05
	Remote control	Off/about 30°C/86°F ~ 40°C/104°F
Warm air	Safety unit	Butterfly temperature controller, temperature fuse and flow rate test unit
	Warm air temperature	Off/about 35°C/95°F ~ 55°C/131°F (adjustment of 4 levels)
	Wind speed	About 4m/s
Seat ring	Safety unit	Double metal plate temperature controller, temperature fuse
	Seat ring temperature	Off/about 28°C/83°F ~40°C/104°F (adjustment of 4 levels)
Remote control	Safety unit	Temperature fuse
	Dimension	7 in L x 2½ in W x ¾ in H
	Power supply	AAA (not included)
Water-proof grade		IPX4
Length of power cable		About 47¼ in
Dimension of the product		26¾ in L x 16 in W x 20¾ in H

