

22 3/8" Rectangular Drop-In Lavatory

Product Specifications

Features

- Fine fireclay
- Rear overflow hole
- Faucet not included
- Single hole, 4" or 8" faucet center
- Template supplied
- Faucet not included

Overall Size

- 570mm W x 470mm D x 205mm H 22³/₈" W x 18¹/₂" D x 8" H

Compliance Certifications

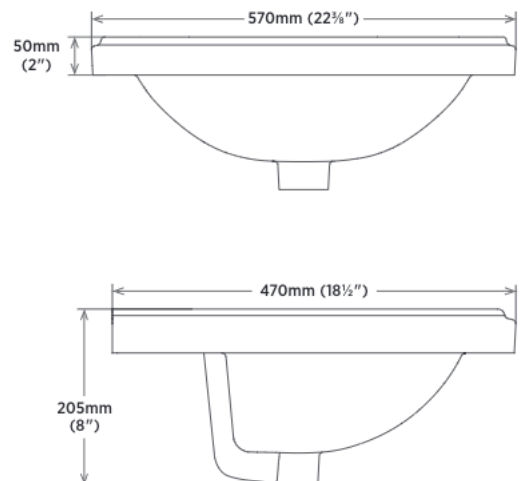
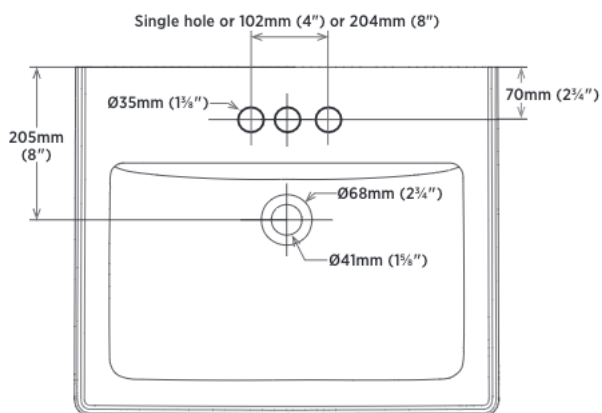
- Meets or exceeds the following:
- IAPMO cUPC
- ASME A112.19.2 / CSA B45.1

Shipping

- Cube 2.52
- GW 29 lbs



LXS10006 White Drop-In Lavatory, Single Hole Faucet Drilling
LXS10007 White Drop-In Lavatory, 4" Center Faucet Drilling
LXS10008 White Drop-In Lavatory, 8" Center Faucet Drilling



All dimensions listed are nominal. Luxart® reserves the right to make product and material changes at any time without notice.

Contact your sales representative for more information or visit our website at luxartcollection.com