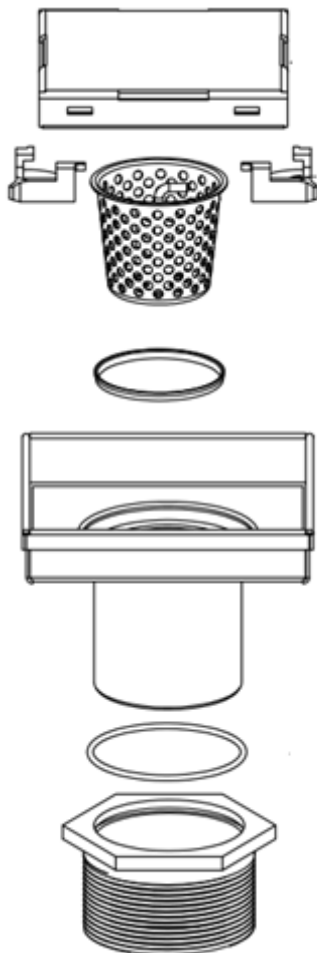


Square Drain Tile In Grate

Product Specifications

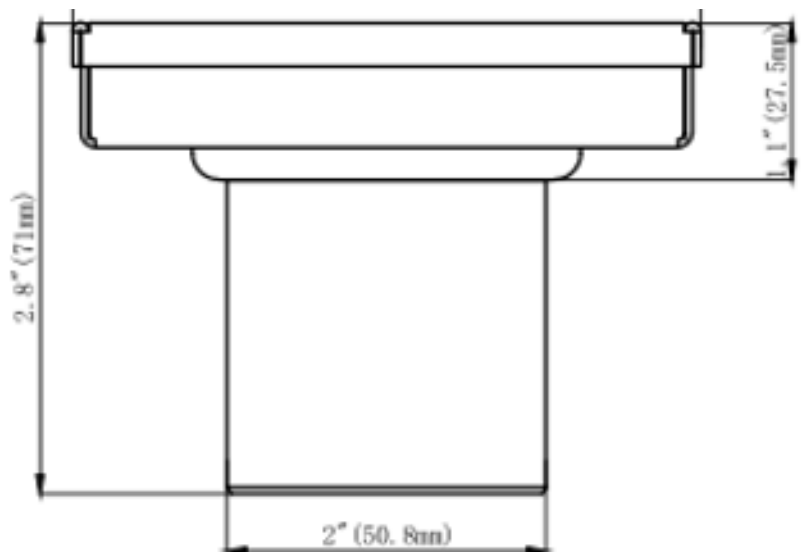
Features

- Sleek, stylish shower drain, made from corrosion-resistant 16 gauge 304 stainless steel
- Stainless steel designer grate insert in brushed satin finish
- Sloped, self-cleaning channel ensures proper and sanitary draining
- Adjustable feet provide easy installation height adjustment
- Universal 2" SS drain and ABS threaded adapter with sealing o-ring
- Stainless steel debris basket with lifting key allows for easy maintenance and cleaning
- Silicone sound proof band reduces basket rattle



LUXART®
DetailLine

Model #	Description
LX4401	Detail Line 4" x 4" Square Drain Tile In Grate
LX6601	Detail Line 6" x 6" Square Drain Tile In Grate



Warranty

See warranty information for more details.

All dimensions listed are nominal. Luxart® reserves the right to make product and material changes at any time without notice.



Contact your sales representative for more information or visit our website at luxartcollection.com