

Plastic Premium Round Toilet Seat

Product Specifications

Description

Closed front with cover, round, injection molded solid plastic toilet seat. Features four molded-in bumpers, color-matched Whisper•Close® with Easy•Clean & Change® hinges with non-corrosive, top-tightening bolts and wing nuts.

Model: LX200SLW

Specifications	
Size:	Round
Weight:	3.9lbs
Color:	White (000), Biscuit (346)
Material:	Plastic
Style:	Closed Front with Cover
Bumpers:	Four
Hinges:	Plastic Whisper•Close® with Easy•Clean & Change®
Fastening System:	Non-Corrosive Bolts and Wing Nuts



WHISPER•CLOSE®
FEATURE



PLASTIC
EASY•CLEAN &
CHANGE® HINGES



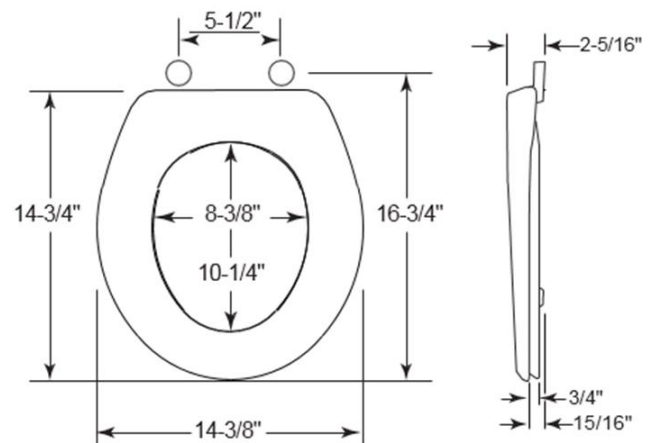
TWIST HINGES
TO UNLOCK



EASY REMOVAL OF
SEAT FOR
THOROUGH
CLEANING



NON-CORROSIVE
BOLTS AND WING
NUTS



SDS

Contact Customer Service for SDS Sheet.

Warranty

See warranty information for more details.

All dimensions listed are nominal. Luxart® reserves the right to make product and material changes at any time without notice.



Contact your sales representative for more information or visit our website at luxartcollection.com