

Freestanding Tub

Luxart®
VitaBella

Product Specifications

LUXART®
STRALLO®

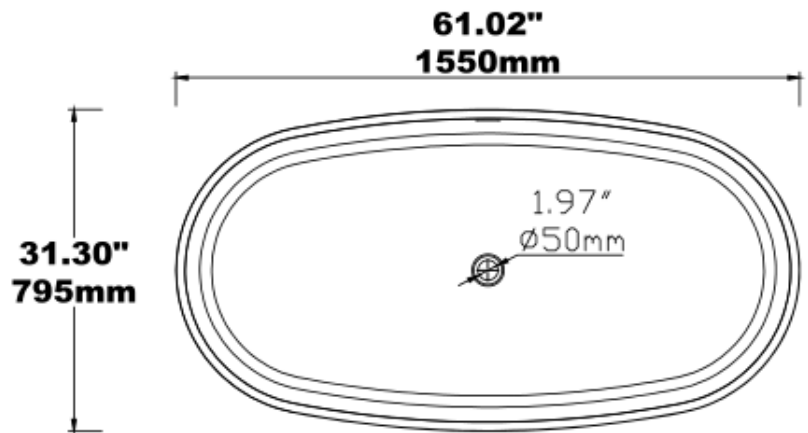
STRALLO6131OF

Luxart VitaBella tubs are made of mineral composite, an organic mixture of ground natural minerals and binding agents that are liquefied, poured and then hardened. The result is molded stone, solid through and through with no layers, hollow or void areas and a deep-soak bath experience unlike any other.



TECHINCAL SPECIFICATIONS

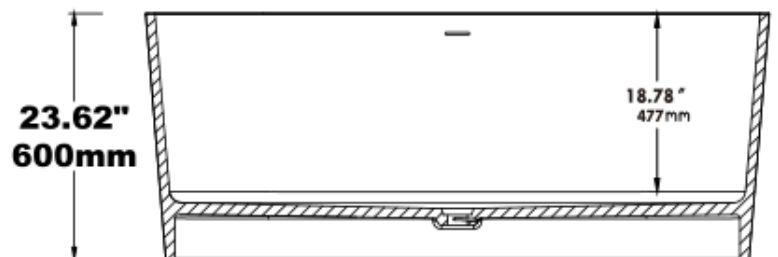
Height	600 mm / 23.62 in
Width	795 mm / 31.30 in
Depth	477 mm / 18.78 in
Length	1550 mm / 61.02 in
Weight	330.69 pounds
Shipping Weight	441.31 pounds
Capacity	90.611 Gallons
Drain	Center
Overflow	Integrated



APPLICABLE STANDARDS/CODES

Specified model meets or exceeds the following:

- IAPMO/cUPC



Contact your sales representative for more information or visit our website at luxartcollection.com

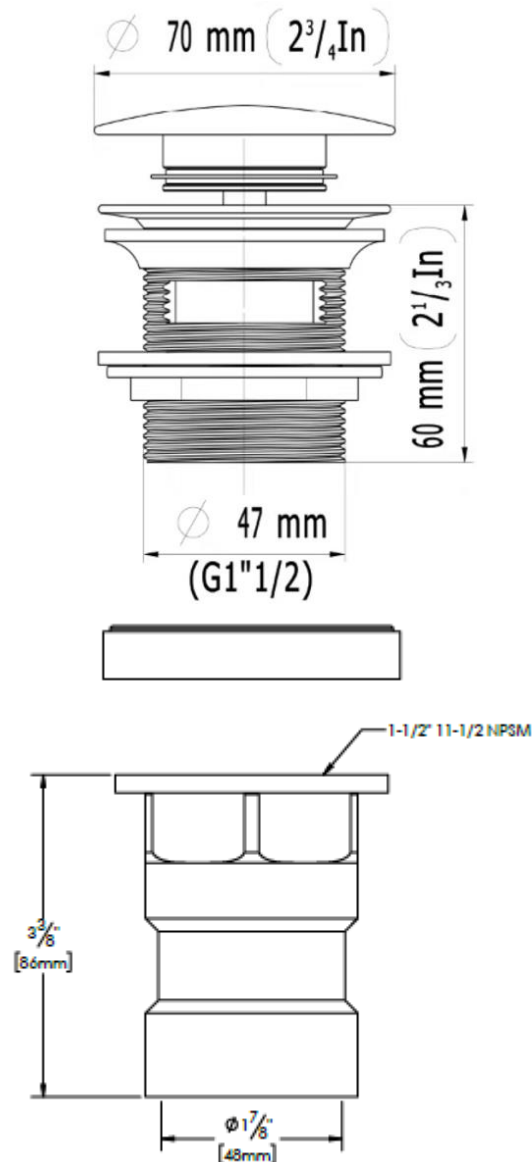
Freestanding Tub

Luxart®
VitaBella

Product Specifications

TECHINCAL SPECIFICATIONS

PVC Intergral Bath Tub Drain Assembly shall feature a Brass coarse thread strainer with 5/16-18 UNC thread-in crossbar and Integral overflow holes with vertical weeping channels. PVC fitting features an 1-1/2" DWV Hub.



Contact your sales representative for more information or visit our website at luxartcollection.com

Revised 5/29/2020