

10" x 10" GLASS CORNER SHELF

Model #: LXSS1010-SV

Overall Dimensions: 10" x 10" x 3/8"

Sturdy thick glass corner shelf
for additional shower storage

3/8" tempered glass

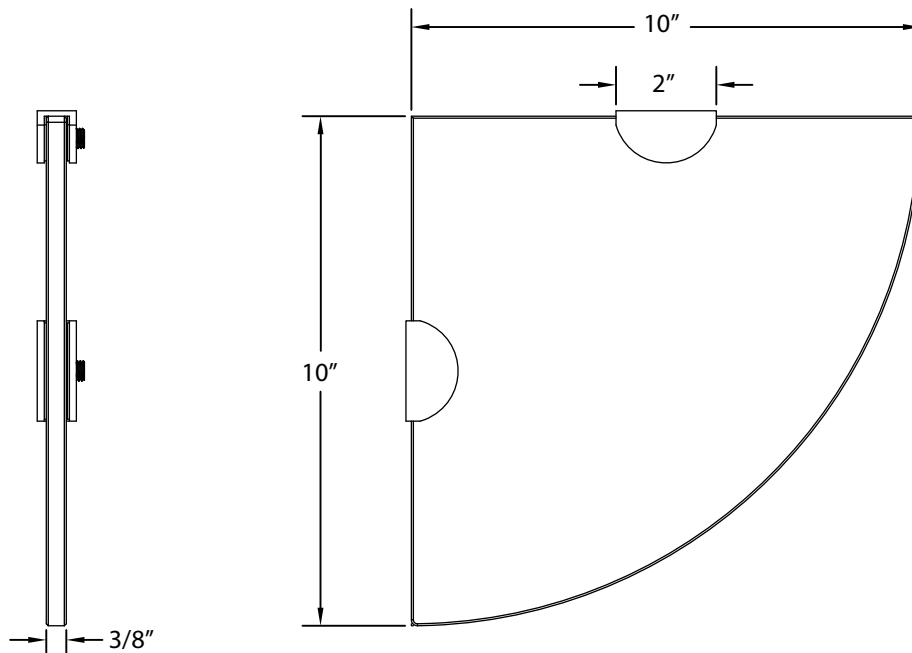
Beveled edge

2 Brass wall mounting brackets
in Silver finish

4 screws included to install brackets
on wall or surface

Easy installation

Can be installed over existing tile
or Smart Surround Wall Systems



All dimensions are subject to change and variation without notice.

Revised 1/26/2022

