

# Single Bowl Apron Front Kitchen Sink

LUXART®

## Product Specifications

### Features

- Molded from fireclay and baked at high temperatures for a nonporous material.
- The material naturally minimizes sound and reduces condensation.
- Long-lasting durability that is scratch and stain resistant.
- White finish with a beautiful, porcelain glaze for a smooth, glossy surface that is easy to clean.
- Sink is reversible offering the option of a traditional flat front or a decorative band feature.

**Overall Size:** 29-7/8" x 19-3/4" x 10-1/16"

**Bowl Dimensions:** 28-3/16" x 18"

**Bowl Depth:** 9-1/8"

**Minimum Cabinet Size:** 33"

**Drain Opening:** 3-1/2"

**Drain Placement:** Center

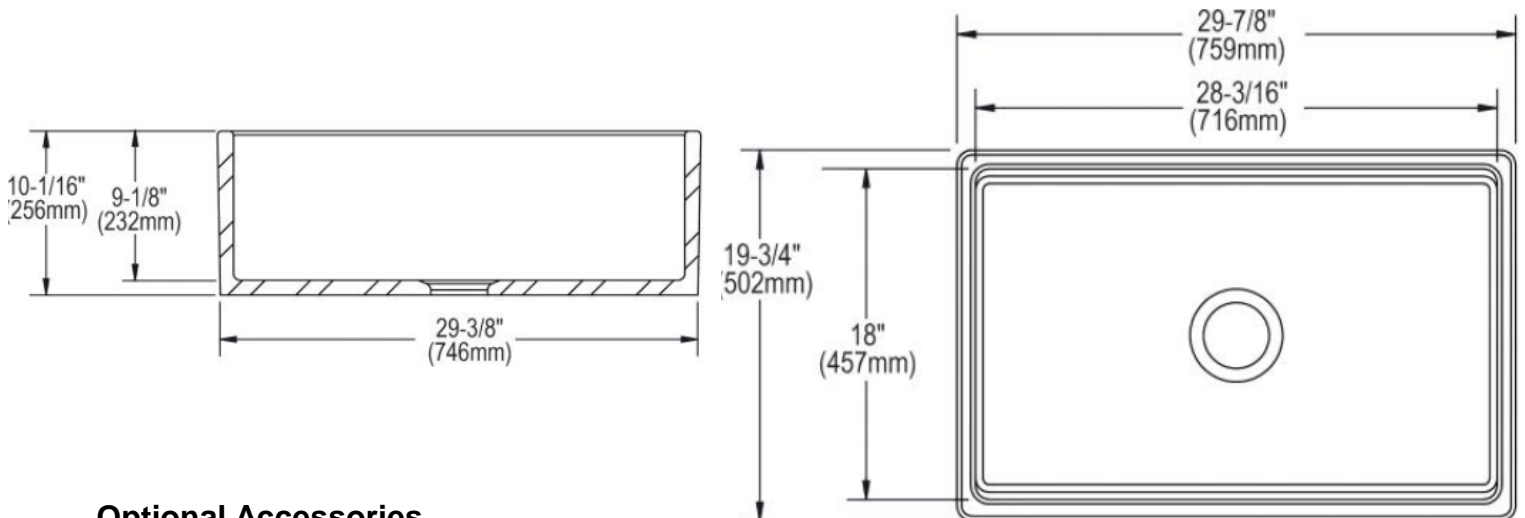
**Installation Type:** Apron Front

**Material:** Fireclay

**USE SINK AS CUTOUT TEMPLATE**



**LXFC28179WH**



### Optional Accessories

- Bottom Basin Rack: LXLKBG2616SS
- Basket Strainer: LX105, LX125, LX120, LX100
- Soap Dispenser: CSD, LCSD, LGLSD

For cutout measurement: Use sink in sink box.

All dimensions listed are nominal. Luxart® reserves the right to make product and material changes at any time without notice.



Contact your sales representative for more information or visit our website at [luxartcollection.com](http://luxartcollection.com)