

SILGRANIT®

Double Bowl 50/50 Low Divide Undermount

Product Specifications

MODELS

- LX442075 Double Bowl, 9-1/2" bowl depths, ANTHRACITE
- LX442078 Double Bowl, 9-1/2" bowl depths, CAFÉ BROWN
- LX442074 Double Bowl, 9-1/2" bowl depths, WHITE
- LX442076 Double Bowl, 9-1/2" bowl depths, BISCUIT
- LX442077 Double Bowl, 9-1/2" bowl depths, METALLIC GRAY
- LX442746 Double Bowl, 9-1/2" bowl depths, CONCRETE GRAY
- LX442072 Double Bowl, 9-1/2" bowl depths, TRUFFLE
- LX442071 Double Bowl, 9-1/2" bowl depths, CINDER



Model LX442075 shown in ANTHRACITE
* basket strainer not included

FEATURES

- New low divide adds functionality and convenience
- Required outside cabinet: 36"
- Low 5-1/2" divide
- 80% solid granite
- Heat resistant up to 536°F
- Unsurpassed cleanability backed by industry leading 7 patents!
- Resistant to scratches, stains and all household acids and alkali solutions
- Template provided with approximate 1/8" reveal
- Undermount clips included
- Limited lifetime warranty

OPTIONAL ACCESORIES

- Celcon Disposal Flange with Strainer/Stopper: LX125
- Celcon Basket Strainer: LX105

CODE/STANDARDS COMPLIANCE

ANSI Z124.6-97
IAPMO/UPC listed

NOMINAL DIMENSIONS

OVERALL	CUTOUT SIZE	BOWL DEPTH		DRAIN DIAMETER
		LEFT	RIGHT	
32"X19-1/4"	Template provided with approximate 1/8" reveal	9-1/2"	9-1/2"	3-1/2"

DFX cutout templates available on our website

All dimensions listed are nominal. Luxart® reserves the right to make product and material changes at any time without notice.



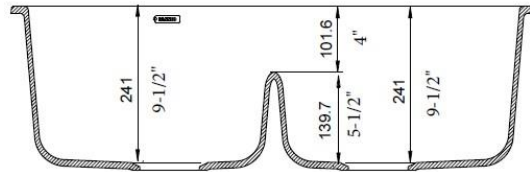
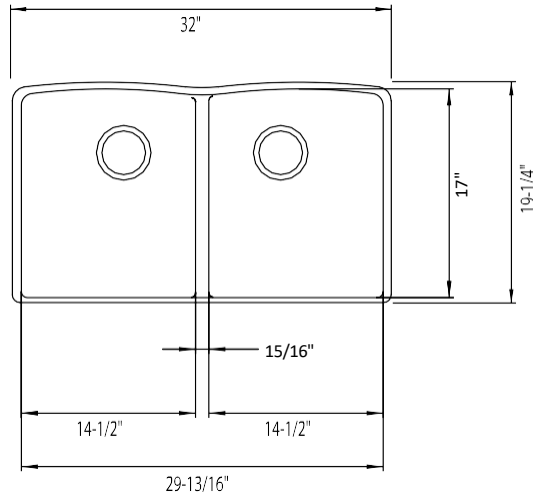
Contact your sales representative for more information or visit our website at luxartcollection.com

SILGRANIT®

LUXART®

Double Bowl 50/50 Low Divide Undermount

Product Specifications



Contact your sales representative for more information or visit our website at luxartcollection.com

Revised 5/26/2021