

Single Bowl Undermount Bar/Prep Sink

LUXART®

Product Specifications

Features

- Molded from fireclay and baked at high temperatures for a nonporous material.
- The material naturally minimizes sound and reduces condensation.
- Long-lasting durability that is scratch and stain resistant.
- White finish with a beautiful, porcelain glaze for a smooth, glossy surface that is easy to clean.



LXFC1517WH

Overall Size: 16-3/8" x 18-7/8" x 10-1/8"

Bowl Dimensions: 13-1/2" x 16"

Bowl Depth: 9-1/8"

Minimum Cabinet Size: 21"

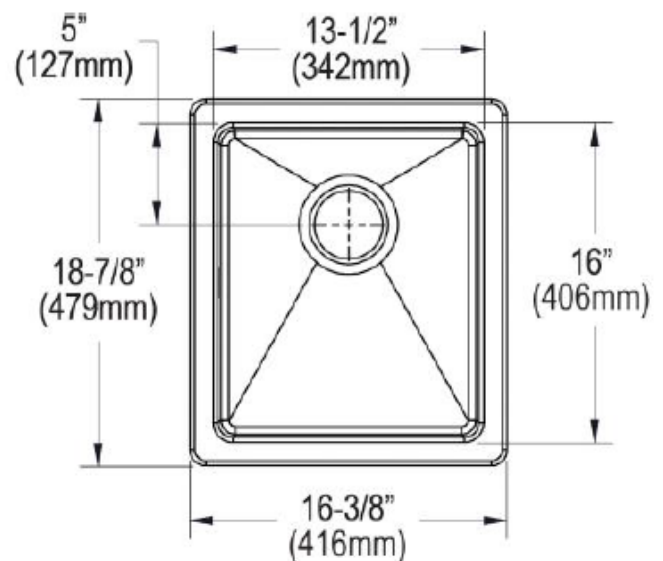
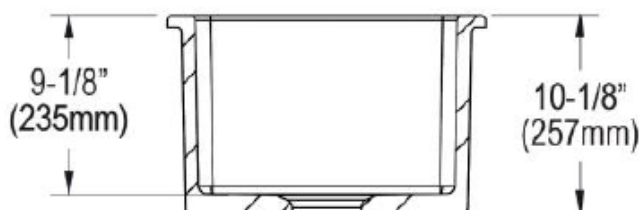
Drain Opening: 3-1/2"

Drain Placement: Center Rear

Installation Type: Undermount

Material: Fireclay

USE SINK AS CUTOUT TEMPLATE



Optional Accessories

- Bottom Basin Rack: LXOBG1315SS
- Basket Strainer: LX105, LX125, LX120, LX100
- Soap Dispenser: CSD, LCSD, LGLSD

For cutout measurement: Use sink in sink box.

All dimensions listed are nominal. Luxart® reserves the right to make product and material changes at any time without notice.



Contact your sales representative for more information or visit our website at luxartcollection.com

Revised 1/20/2020