

Installation / Installation / Instalación



Tools You Will Need / Outils dont vous aurez besoin / Herramientas necesarias



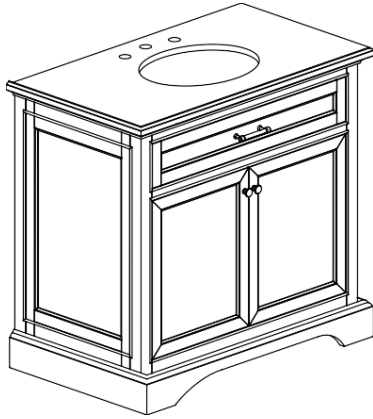
Tape Measure
Mètre à Ruban
Cinta Métrica



Silicone Sealant
Enduit d'étanchéité au silicone
Sellador de silicona

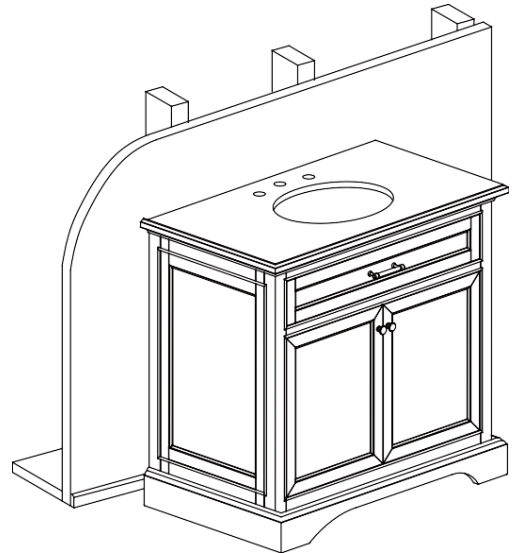
Installation / Installation / Instalación

1



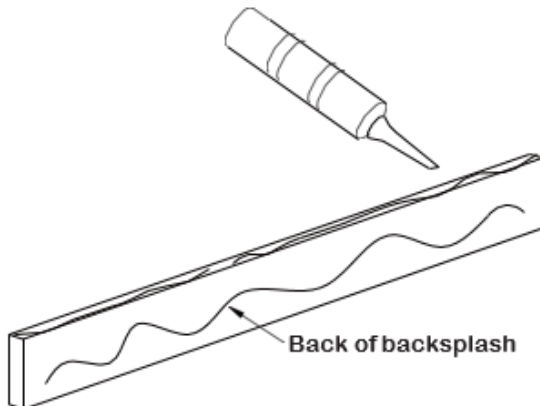
Remove vanity from box and examine for any defects or damage.
Retirez la vanité de la boîte et examiner pour les défauts ou les dommages.
Retire el tocador de la caja y examine si hay defectos o daños.

2



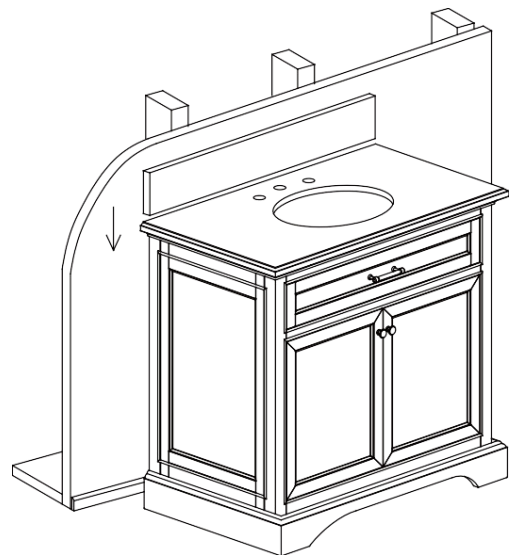
Place vanity against wall, making sure vanity top is flush against the wall. Apply bead of quality sealant evenly along the top of the vanity.
Placez la vanité contre le mur, en veillant dessus de vanité est contre le mur.
Appliquez du mastic de qualité uniformément le long de la partie supérieure de la vanité.
Coloque el tocador contra la pared, asegurándose de que la parte superior del tocador esté al ras con la pared. Aplique una capa de sellador de manera uniforme a lo largo de la parte superior del tocador.

3



Apply a few thin beads of sealant (not included) to unpolished back and bottom edge of backsplash. Make sure all surfaces are dry.
Appliquez quelques perles fines de scellant (non inclus) à dos et le bord inférieur du dossieret. Assurez-vous que toutes les surfaces sont sèches.
Aplique unas pocas gotas finas de sellador (no incluidas) en la parte posterior sin pulir y en el borde inferior del protector contra salpicaduras. Asegúrese de que todas las superficies estén secas.

4



Set unpolished bottom edge of backsplash with sealant bead on vanity top and press gently against wall and down on vanity top.
Ensemble contre le bord inférieur du dossieret avec cordon de scellant sur le dessus de la vanité et appuyez doucement contre le mur et sur le dessus de la vanité.
Coloque el borde inferior sin pulir del protector contra salpicaduras con un cordón de sellador en la parte superior del tocador, luego presione suavemente contra la pared y hacia abajo en la parte superior del tocador.



Luxart products manufactured by Avanity will be covered by Avanity's warranty as follows:

AVANITY WARRANTY

Avanity takes pride in the quality of our products. As a commitment to our customers, we cover all our products under our exclusive One-Year Limited Warranty. The warranty covers all defects in materials and manufacturing for ONE (1) YEAR from the date of shipment. The warranty applies only to the original purchaser who acquires the product from an authorized Avanity dealer or directly from Avanity. The warranty applies only to products exposed to normal residential use during the one-year period.

If a product fails due to defects in materials or manufacturing during the warranty period, Avanity will authorize either a full product replacement, a parts replacement, or a repair at its discretion. In cases where repair or replacement is not possible Avanity may pay alternate remuneration at its discretion.

It is Avanity's option whether we will repair, replace, or offer remuneration for countertop pieces during the 1-year period after initial installation. The installation process can cause stress to the countertop and create weaknesses or damages that are not immediately visible and are not considered manufacturer's defects. Avanity will evaluate such claims on a case-by-case basis and always require photographic evidence.

STONE CHARACTERISTICS: Natural stone exhibits color variations. It is possible that new and/ or replacement pieces may not match existing pieces. Natural variations in color, grain, and veining are not considered defective and are excluded from the warranty. Avanity applies a light sealer to our stone tops but this does not guarantee impermeability. Avanity recommends the consumer clean all spills immediately.

FINISH AND WOOD CHARACTERISTICS: Sustained exposure to light causes changes to the color of natural wood and finishes. For this reason, replacement pieces and parts may not have the exact color of existing pieces and are not considered defective. Exposure to extreme changes in temperature and/or humidity can cause wood to warp and is not covered by the warranty. Small imperfections such as shallow surface splits and pockets are naturally occurring and not considered defective.

All warranty claims must include photographic evidence and a detailed description of the claim.

Exclusion from Warranty:

This warranty **DOES NOT APPLY** to installation or any other labor charges associated with the repair, removal, reinstallation or consequential damages.

The warranty **DOES NOT APPLY** to defects or damage caused by improper installation/ handling, negligence, misuse, abuse or improper maintenance including cleaning and/or cleaning products, agents or chemicals.

The warranty **DOES NOT APPLY** when products are used in institutional, commercial or other non-residential settings.

The warranty **DOES NOT APPLY** when products are damaged or destroyed by accidents or natural catastrophes like fires, floods, or earthquakes.

The warranty **DOES NOT APPLY** to normal variations in the quality of wood, stone, and glass material including varying grains, knots, and colors inherent in natural products and veneers.

The warranty **DOES NOT APPLY** to color changes and surface cracks due to direct sunlight, extreme temperature fluctuations, humidity conditions and cleaning agents.

Any transformation or alteration made to an AVANITY product automatically **VOIDS** the warranty.

