



## BLD106

Coco Smooth Builders Series – 1.5" Drain Opening

### DETAILS

Hand Crafted Smooth Stainless Steel  
 Installation Type: Drop-In or Undermount  
 Uses 1.5" Drain  
 No Overflow

### AVAILABLE FINISHES

UB	Unlacquered Brass - Satin
PB	Unlacquered Brass - Polished
SS	Satin Stainless Steel
PS	Polished Stainless Steel

### AVAILABLE DRAINS

D004	Grid Strainer
D005	Lift and Turn
D006	Pop-up w/ horizontal lift rod
D101 – D720	Decorative Drain

### INSTALLATION

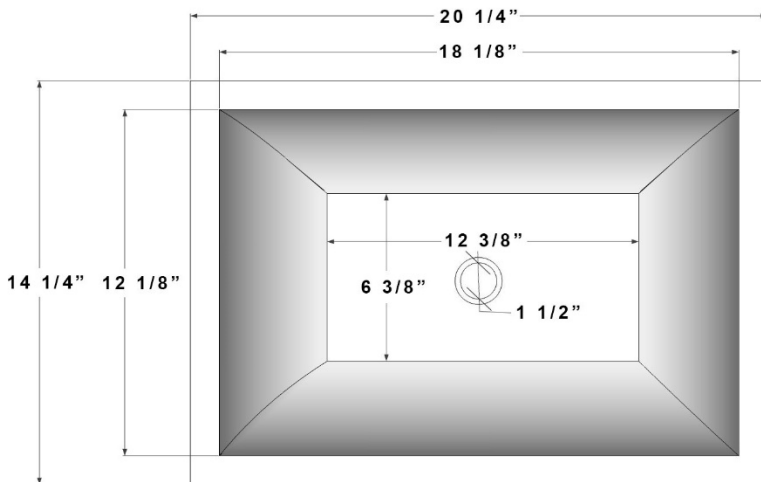
Drain should be installed first.  
 DROP-IN: Cut opening large enough for the sink to be "dropped in" to countertop.  
 UNDERMOUNT: Cuts in countertop are up to the discretion of the installer. Clips or other installation method must be provided by the fabricator/installer.  
 Use 100% silicone to adhere sink to countertop. Clean any excess silicone from sink surface.

### CARE

Clean with mild soap. No abrasive chemicals

### WARRANTY

Linkasink warranties our product to be free from manufacturing defect for the life of the product. Warranty does not cover abuse.



### DIMENSIONS WILL VARY

**DO NOT** use this sheet as a guide for countertop cuts. Due to the handmade nature of each product, templates are not provided.