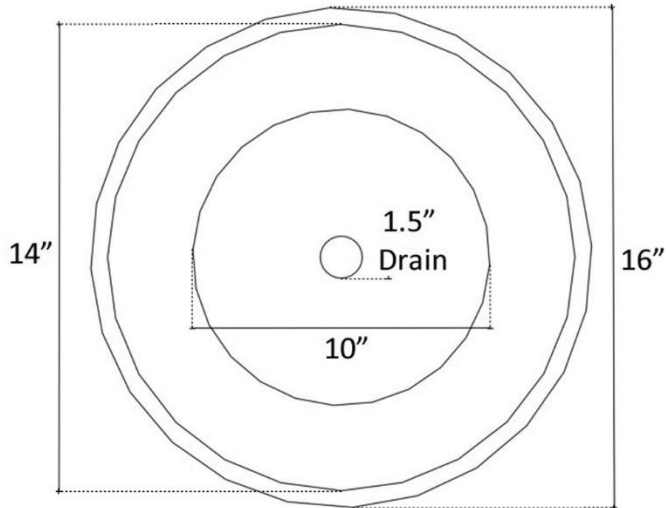




Shown in "SS" finish



## BLD104

Small Round Flat Bottom with 1.5" drain opening

### DETAILS

Installation Type: Drop-in or Undermount

Hand-hammered Metal

No Overflow

1.5" Drain Opening

AVAILABLE FINISHES		BASE MATERIAL
AB	Antique Bronze	Brass
DB	Dark Bronze	Copper
UB	Satin Unlacquered Brass	Brass
PB	Polished Unlacquered Brass	Brass
SS	Satin Stainless Steel	Stainless Steel
PS	Polished Stainless Steel	Stainless Steel

### AVAILABLE DRAINS

D004	Grid Strainer
D005	Lift and Turn
D006	Pop-Up with Horizontal Lift Rod
D011 – D017	Decorative Grid Strainers
D101 – D720	Decorative Drains

### INSTALLATION

Drain should be installed first. A conversion kit for drain installation is provided with each sink with 1.5" drain opening. Cuts in countertop are up to the discretion of the installer. Clips or other installation method must be provided by the fabricator / installer. Use the actual sink as a cutting guide. Use 100% silicone to adhere sink to countertop. Clean any excess silicone from sink surface.

### CARE

This sink has a living finish (excluding stainless steel sinks), which will change with time and use. Use mild soap and water for everyday cleaning. Avoid any harsh abrasives, acidic cleaning products and antibacterial hand soap. A paste wax may be applied periodically to protect the finish.

### WARRANTY

Linkasink warranties our product to be free from manufacturing defect for the life of the product. Warranty does not cover abuse.

### DIMENSIONS WILL VARY

**DO NOT** use this sheet as a guide for countertop cuts. Due to the handmade nature of each product, templates are not provided.