



## BLD104-2

SMALL ROUND FLAT BOTTOM (2" drain opening)

### DETAILS

Installation Type: Drop-in or Undermount

Hand-hammered Metal

No Overflow

2" Drain Opening

### AVAILABLE FINISHES

### BASE MATERIAL

DB	Dark Bronze	Copper
AB	Antique Bronze	Brass
UB	Unlacquered Brass	Brass
PB	Polished Unlacquered Brass	Brass
SS	Satin Stainless Steel	Stainless Steel
PS	Polished Stainless Steel	Stainless Steel

Shown in "PS" finish



### AVAILABLE DRAINS

D001 | Bar Drain

### INSTALLATION

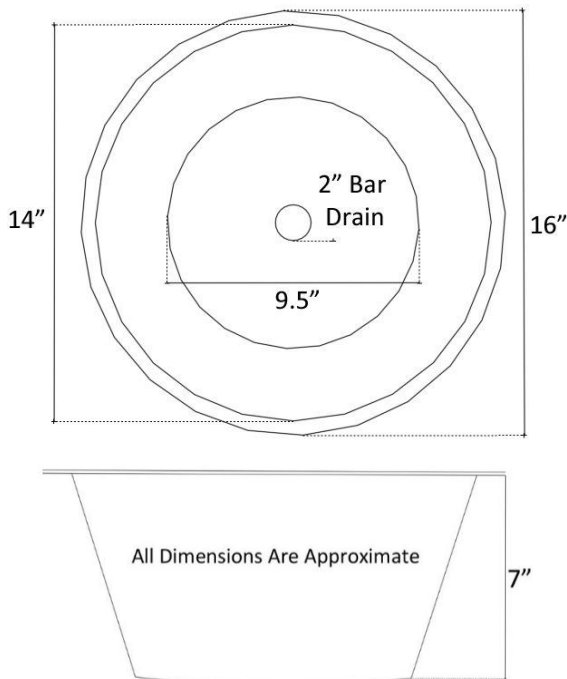
Drain should be installed first. Cuts in countertop are up to the discretion of the installer. Clips or other installation method must be provided by the fabricator / installer. Due to the handmade nature of the product, use the actual sink as a cutting guide. Use 100% silicone to adhere sink to countertop. Clean any excess silicone from sink surface.

### CARE

This sink has a living finish (excluding stainless steel sinks) which will change with time and use. Use mild soap and water for everyday cleaning. Avoid any harsh abrasives or acidic cleaning products, as well as antibacterial hand soap to prevent damage to the living finish. 2-3 coats of a paste wax may be applied to protect the finish. The wax will wear off over time - periodically reapply to help maintain the finish and avoid water spotting.

### WARRANTY

Linkasink warranties our product to be free from manufacturing defect for the life of the product. Warranty does not cover abuse or negligence.



### DIMENSIONS WILL VARY

**DO NOT** use this sheet as a guide for countertop cuts. Due to the handmade nature of each product, templates are not provided.