



## C017

SMALL FLAT ROUND

### DETAILS

Installation Type: Drop-In or Undermount

Copper: DB, WC, PN, SN

Brass: UB

Hand Hammered Metal

Uses Standard 3.5" Drain

No Overflow

### AVAILABLE FINISHES

<b>DB</b>	Dark Bronze
<b>WC</b>	Weathered Copper
<b>PN</b>	Polished Nickel
<b>SN</b>	Satin Nickel
<b>UB</b>	Satin Unlacquered Brass

### AVAILABLE DRAINS

<b>D003</b>	3.5" Basket Strainer
<b>D007</b>	Disposal Flange

### INSTALLATION

Drain should be installed first.

**DROP-IN:** Cut opening large enough for the sink to be "dropped in" to countertop.

**UNDERMOUNT:** Cuts in countertop are up to the discretion of the installer. Clips or other installation method must be provided by the fabricator/installer.

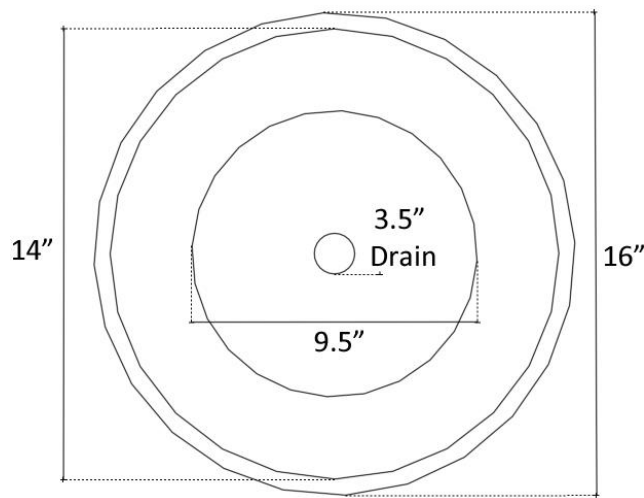
Use 100% silicone to adhere sink to countertop. Clean any excess silicone from sink surface.

### CARE

Clean with mild soap. No abrasive chemicals

### WARRANTY

Linkasink warrants our product to be free from manufacturing defect for the life of the product. Warranty does not cover abuse.



### DIMENSIONS WILL VARY

**DO NOT** use this sheet as a guide for countertop cuts. Due to the handmade nature of each product, templates are not provided.