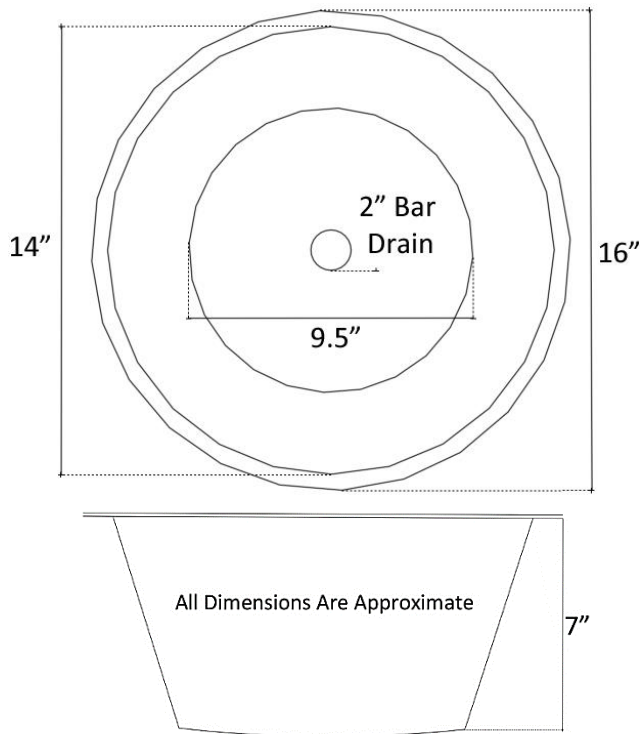




Shown in SS



C016

SMALL FLAT ROUND

DETAILS

Installation Type: Drop-In or Undermount

Hand-Hammered Metal

No Overflow

Uses Standard 2" Bar Drain

Each sink is hand-crafted; no two sinks will be the same

AVAILABLE FINISHES

BASE MATERIAL

DB	Dark Bronze	Copper
WC	Weathered Copper	Copper
SN	Satin Nickel	Copper
PN	Polished Nickel	Copper
SS	Satin Stainless Steel	Stainless Steel
PS	Polished Stainless Steel	Stainless Steel
UB	Satin Unlacquered Brass	Brass
PB	Polished Unlacquered Brass	Brass

AVAILABLE DRAINS

D001 | 2" Bar Drain

INSTALLATION

DROP-IN: Cut opening large enough for the sink to be "dropped in" to countertop.

UNDERMOUNT: Cuts in countertop are up to the discretion of the installer. Clips or other installation method must be provided by the fabricator/installer.

Use 100% silicone to adhere sink to countertop. Clean any excess silicone from sink surface to avoid damaging the finish.

CARE

This sink has a living finish (excluding SS/PS) which will change with time and use. Use mild soap and water for everyday cleaning. Avoid any harsh abrasives, acidic cleaning products and antibacterial hand soap. A paste wax may be applied periodically to protect the finish and help with water spotting.

WARRANTY

Linkasink warranties our product to be free from manufacturing defect for the life of the product. Warranty does not cover abuse/neglect or improper care.

DIMENSIONS WILL VARY

DO NOT use this sheet as a guide for countertop cuts. Due to the handmade nature of each product, templates are not provided.