



C008

LARGE SQUARE

DETAILS

Installation Type: Drop-In or Undermount

Copper: DB, WC, PN, SN

Brass: UB

Hand Hammered Metal

Uses Standard 3.5" Bar Drain

No Overflow

AVAILABLE FINISHES

DB	Dark Bronze
WC	Weathered Copper
PN	Polished Nickel
SN	Satin Nickel
UB	Satin Unlacquered Brass

AVAILABLE DRAINS

D003	Grid Strainer
D007	Lift and Turn

INSTALLATION

Drain should be installed first.

DROP-IN: Cut opening large enough for the sink to be "dropped in" to countertop.

UNDERMOUNT: Cuts in countertop are up to the discretion of the installer. Clips or other installation method must be provided by the fabricator/installer.

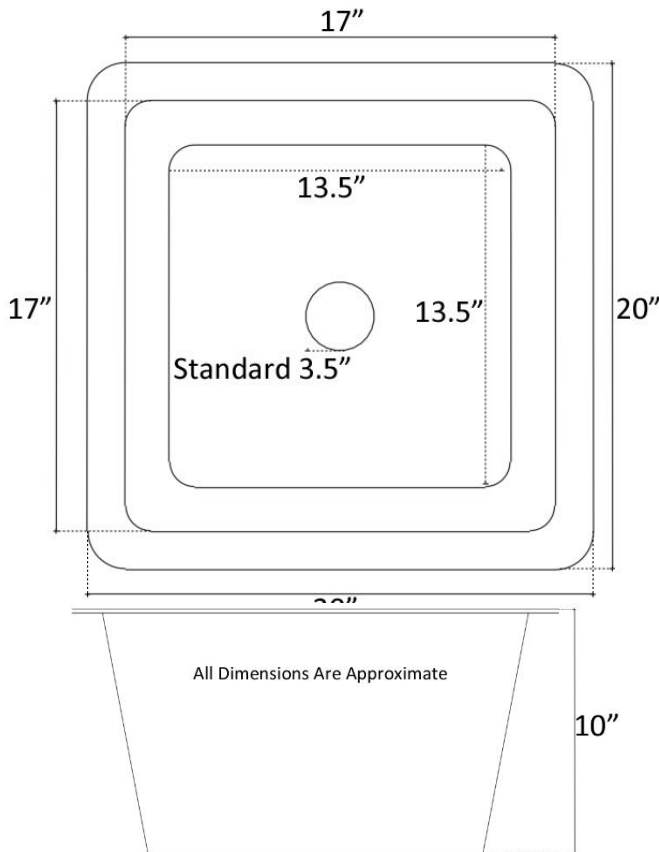
Use 100% silicone to adhere sink to countertop. Clean any excess silicone from sink surface.

CARE

Clean with mild soap. No abrasive chemicals

WARRANTY

Linkasink warrants our product to be free from manufacturing defect for the life of the product. Warranty does not cover abuse.



DIMENSIONS WILL VARY

DO NOT use this sheet as a guide for countertop cuts. Due to the handmade nature of each product, templates are not provided.

Contact: 1.866.395.8377 sales@linkasink.com
Linkasink may make changes to specifications without notice.
Visit linkasink.com for updated specification sheet.
5/1/2019